



Chipsmall Limited consists of a professional team with an average of over 10 year of expertise in the distribution of electronic components. Based in Hongkong, we have already established firm and mutual-benefit business relationships with customers from,Europe,America and south Asia,supplying obsolete and hard-to-find components to meet their specific needs.

With the principle of “Quality Parts,Customers Priority,Honest Operation,and Considerate Service”,our business mainly focus on the distribution of electronic components. Line cards we deal with include Microchip,ALPS,ROHM,Xilinx,Pulse,ON,Everlight and Freescale. Main products comprise IC,Modules,Potentiometer,IC Socket,Relay,Connector.Our parts cover such applications as commercial,industrial, and automotives areas.

We are looking forward to setting up business relationship with you and hope to provide you with the best service and solution. Let us make a better world for our industry!



Contact us

Tel: +86-755-8981 8866 Fax: +86-755-8427 6832

Email & Skype: info@chipsmall.com Web: www.chipsmall.com

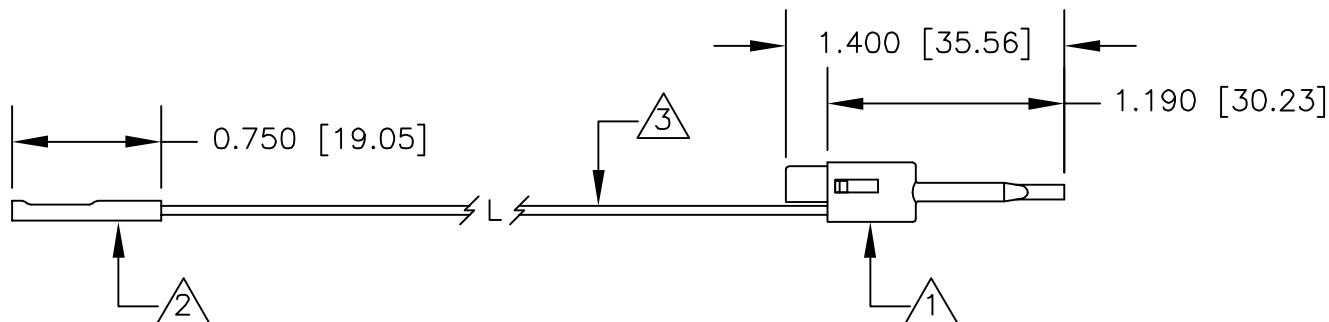
Address: A1208, Overseas Decoration Building, #122 Zhenhua RD., Futian, Shenzhen, China



NOTES: UNLESS OTHERWISE SPECIFIED

- P/N: PICO
HOUSING & PLUNGER: MOLDED NYLON TYPE 6,6.
AVAILABLE IN TEN COLORS.
CONTACT BLADE: BERYLLIUM COPPER, GOLD PLATED
PER MIL-G-45204 B TYPE 1
0.00001" [0.000254] THK MINIMUM.
SPRING: STAINLESS STEEL TYPE 302.
- P/N: 9205-HS
HEAT SHRINK: MOLDED NYLON. AVAILABLE IN BLACK.
BODY: BRASS, 40UIN [1.02UM] MIN GOLD OVER NICKEL
PLATED.
CONTACT: BeCu OR PHOSPHOR BRONZE, 1.02UM(40UIN) MIN
GOLD OVER NICKEL PLATED.
- P/N W-701/COLOR
28AWG 19X40 TINNED COPPER
0.047 [1.19] O.D. PVC INSULATION
AVAILABLE IN TEN COLORS.
- PERFORMANCE
MAXIMUM CURRENT: 1.0 AMPS
MAXIMUM VOLTAGE: 600 W.V.D.C.
MAXIMUM TEMPERATURE: 221°F (105°C)

REVISIONS		DATE	APPROVED
LTR	DESCRIPTION		



		UNLESS OTHERWISE SPECIFIED DIMENSIONS ARE IN INCHES TOLERANCES ARE: FRACTIONS DECIMALS ANGLES ± .XX ± ± .XXX ±	CONTRACT NO.		E-Z-HOOK ® DIVISION OF TEKTEST INC. ARCADIA, CA 91006 U.S.A. DESCRIPTION PICO HOOK TO 0.025 [0.64] SQUARE SOCKET			
			APPROVALS	DATE				
		MATERIAL SEE NOTE.	DRAWN	R.L.	9/10	SIZE		REV.
			APPROVED BY			CODE IDENT NO.	DRAWING NO.	
		FINISH SEE NOTE.			A	08505	P703	
NEXT ASSY	USED ON				SCALE	1:1	SHEET 1 OF 1	
APPLICATION		DO NOT SCALE DRAWING						