



Chipsmall Limited consists of a professional team with an average of over 10 year of expertise in the distribution of electronic components. Based in Hongkong, we have already established firm and mutual-benefit business relationships with customers from,Europe,America and south Asia,supplying obsolete and hard-to-find components to meet their specific needs.

With the principle of "Quality Parts,Customers Priority,Honest Operation,and Considerate Service",our business mainly focus on the distribution of electronic components. Line cards we deal with include Microchip,ALPS,ROHM,Xilinx,Pulse,ON,Everlight and Freescale. Main products comprise IC,Modules,Potentiometer,IC Socket,Relay,Connector.Our parts cover such applications as commercial,industrial, and automotives areas.

We are looking forward to setting up business relationship with you and hope to provide you with the best service and solution. Let us make a better world for our industry!



## Contact us

Tel: +86-755-8981 8866 Fax: +86-755-8427 6832

Email & Skype: info@chipsmall.com Web: www.chipsmall.com

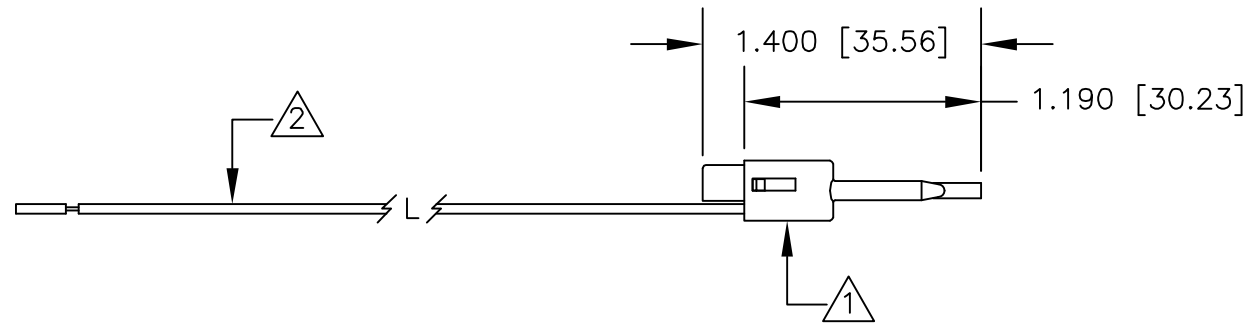
Address: A1208, Overseas Decoration Building, #122 Zhenhua RD., Futian, Shenzhen, China



NOTES: UNLESS OTHERWISE SPECIFIED

1. P/N: PICO  
 HOUSING & PLUNGER: MOLDED NYLON TYPE 6,6.  
 AVAILABLE IN TEN COLORS.  
 CONTACT BLADE: BERYLLIUM COPPER, GOLD PLATED  
 PER MIL-G-45204 B TYPE 1  
 0.00001" [0.000254] THK MINIMUM.  
 SPRING: STAINLESS STEEL TYPE 302.
2. P/N W-701/COLOR  
 28AWG 19X40 TINNED COPPER  
 0.047 [1.19] O.D. PVC INSULATION  
 AVAILABLE IN TEN COLORS.
3. PERFORMANCE  
 MAXIMUM CURRENT: 1.0 AMPS  
 MAXIMUM VOLTAGE: 600 W.V.D.C.  
 MAXIMUM TEMPERATURE: 221°F (105°C)

| REVISIONS |             |      |          |
|-----------|-------------|------|----------|
| LTR       | DESCRIPTION | DATE | APPROVED |
|           |             |      |          |



|                  |                |  |                            |                             |  |  |  |  |  |
|------------------|----------------|--|----------------------------|-----------------------------|--|--|--|--|--|
|                  |                | <b>UNLESS OTHERWISE SPECIFIED<br/>         DIMENSIONS ARE IN INCHES<br/>         TOLERANCES ARE:<br/>         FRACTIONS DECIMALS ANGLES</b><br>± .XX ± ±<br>.XXX ± | <b>CONTRACT NO.</b>        |                             | <b>E-Z-HOOK</b> ® DIVISION OF TEKTEST INC.<br>ARCADIA, CA 91006 U.S.A. |  |  |  |  |
|                  |                |  | <b>APPROVALS</b>           | <b>DATE</b>                 |  |  |  |  | <b>DESCRIPTION</b><br>PICO HOOK TO LEAD ONLY |
|                  |                | <b>MATERIAL</b><br>SEE NOTE.   | <b>DRAWN</b>               | R.L.                        | 9/10   | <b>SIZE</b>   <b>CODE IDENT NO.</b>   <b>DRAWING NO.</b>   <b>REV.</b><br><b>A</b>   <b>08505</b>   P713 |  |  |  |
|                  |                |  | <b>FINISH</b><br>SEE NOTE. | <b>APPROVED BY</b>          |  |  |  |  |  |
| <b>NEXT ASSY</b> | <b>USED ON</b> | <b>APPLICATION</b>   |                            | <b>DO NOT SCALE DRAWING</b> |  |  |  |  |  |

THE INFORMATION CONTAINED IN THIS DOCUMENT IS PROPRIETARY TO E-Z-HOOK. THE INFORMATION IS NOT TO BE REPRODUCED WITHOUT PRIOR WRITTEN PERMISSION OF E-Z-HOOK, DIV. OF TEKTEST INC. MAXIMUM TESTED RATINGS IN A HANDS-FREE CONTROLLED ENVIRONMENT. MAXIMUM RATINGS ARE NOT TO BE USED CONCURRENTLY.