



Chipsmall Limited consists of a professional team with an average of over 10 year of expertise in the distribution of electronic components. Based in Hongkong, we have already established firm and mutual-benefit business relationships with customers from,Europe,America and south Asia,supplying obsolete and hard-to-find components to meet their specific needs.

With the principle of “Quality Parts,Customers Priority,Honest Operation,and Considerate Service”,our business mainly focus on the distribution of electronic components. Line cards we deal with include Microchip,ALPS,ROHM,Xilinx,Pulse,ON,Everlight and Freescale. Main products comprise IC,Modules,Potentiometer,IC Socket,Relay,Connector.Our parts cover such applications as commercial,industrial, and automotives areas.

We are looking forward to setting up business relationship with you and hope to provide you with the best service and solution. Let us make a better world for our industry!



## Contact us

Tel: +86-755-8981 8866 Fax: +86-755-8427 6832

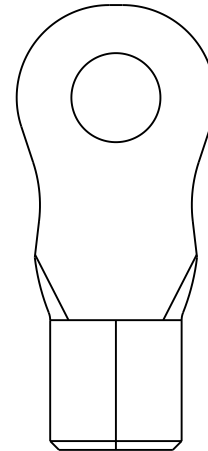
Email & Skype: info@chipsmall.com Web: www.chipsmall.com

Address: A1208, Overseas Decoration Building, #122 Zhenhua RD., Futian, Shenzhen, China

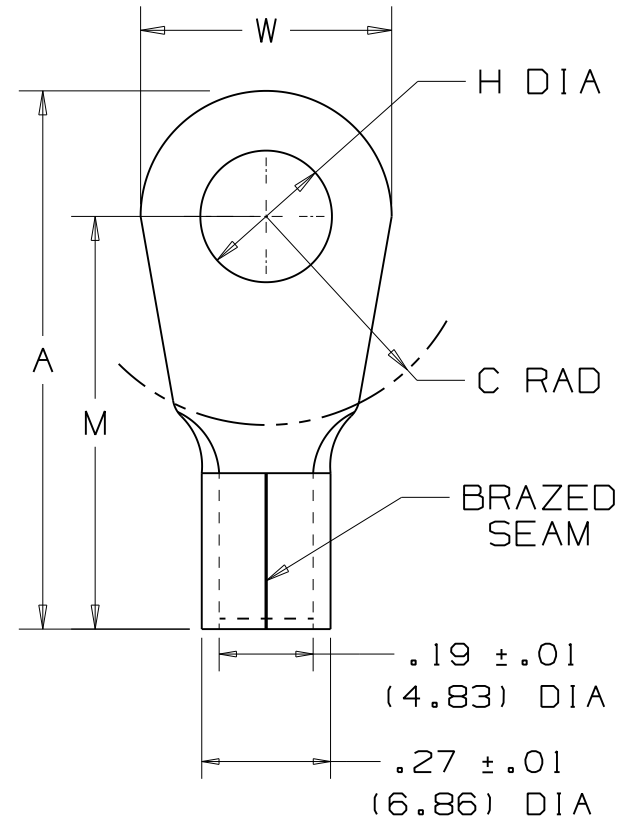


THIS COPY IS PROVIDED ON A RESTRICTED BASIS AND IS NOT TO BE USED IN ANY WAY DETRIMENTAL TO THE INTERESTS OF PANDUIT CORP.

PANDUIT PART NUMBER		STUD SIZE	DIMENSIONS in.				
PREFIX	PK		A $\pm .03$	W $\pm .01$	C $\pm .02$	M $\pm .03$	H $\pm .01$
P8-8RHT6	-0	#8	1.12 (28.45)	.42 (10.67)	.43 (10.92)	.91 (23.11)	.17 (4.32)
P8-8RNHT6	-0	#8	1.09 (27.69)	.36 (9.25)	.43 (10.92)	.91 (23.11)	.17 (4.32)
P8-10RHT6	-0 -T	#10	1.14 (28.96)	.42 (10.67)	.43 (10.92)	.91 (23.11)	.20 (5.08)
P8-10RNHT6	-0 -T	#10	1.09 (27.69)	.36 (9.25)	.43 (10.92)	.91 (23.11)	.20 (5.08)
P8-14RHT6	-0	1/4"	1.14 (28.96)	.47 (11.94)	.43 (10.92)	.91 (23.11)	.27 (6.86)
P8-56RHT6	-0	5/16"	1.25 (31.75)	.59 (14.99)	.51 (12.95)	.95 (24.13)	.33 (8.38)
P8-38RHT6	-0	3/8"	1.25 (31.75)	.59 (14.99)	.51 (12.95)	.95 (24.13)	.39 (9.91)
P8-12RHT6	-0	1/2"	1.36 (34.54)	.82 (20.83)	.54 (13.72)	.95 (24.13)	.52 (13.21)



P8-10RHT6  
CONFIGURATION  
(NOT TO SCALE)



NOTES:

- FOR #8 AWG COPPER WIRE
- 650 F (343C) MAX. TEMP RATING
- PACKAGE QTY: STD - Q=25  
BLK - T=200
- MATERIAL:  
STAMPING - .040" (1.02) THK COPPER,  
NICKEL PLATED
- DIMENSIONS IN BRACKETS ARE MILLIMETERS
- INSTALLATION TOOL: CT-2600
- WIRE STRIP LENGTH: 3/8 +1/32 -0 (9.5mm +.8 -0)

03	5/09	BCT		MODIFIED P8-10RHT6 DIM W TO 0.42"			
02	1/09			ADDED P8-8RNHT6 & #8-10RNHT6			
01	6/08	SRB		Removed UL & CSA ADDED temp rating Removed ct-2600 tool			
00	6/08	BCT		RELEASED			
REV	DATE	BY	CHK	DESCRIPTION	ECN #	CUST	PM

**PANDUIT**

CORP.

TINLEY PARK, ILLINOIS

#8 BARREL NON-INSULATED  
HIGH TEMPERATURE RING TONGUE

DRAWN BY BCT	CHK'D	SCALE NONE	DRAWING NO. A41741
-----------------	-------	---------------	-----------------------