



Chipsmall Limited consists of a professional team with an average of over 10 year of expertise in the distribution of electronic components. Based in Hongkong, we have already established firm and mutual-benefit business relationships with customers from,Europe,America and south Asia,supplying obsolete and hard-to-find components to meet their specific needs.

With the principle of “Quality Parts,Customers Priority,Honest Operation,and Considerate Service”,our business mainly focus on the distribution of electronic components. Line cards we deal with include Microchip,ALPS,ROHM,Xilinx,Pulse,ON,Everlight and Freescale. Main products comprise IC,Modules,Potentiometer,IC Socket,Relay,Connector.Our parts cover such applications as commercial,industrial, and automotives areas.

We are looking forward to setting up business relationship with you and hope to provide you with the best service and solution. Let us make a better world for our industry!



Contact us

Tel: +86-755-8981 8866 Fax: +86-755-8427 6832

Email & Skype: info@chipsmall.com Web: www.chipsmall.com

Address: A1208, Overseas Decoration Building, #122 Zhenhua RD., Futian, Shenzhen, China



- For Detailed LED Data, See Discrete Section, Model 200

| | | |
|----------|--------------|-----------------|
| 1 | Model | Wires |
| | P81 P84 | W (optional) |

TO ORDER, FOLLOW THE EXAMPLE:

Select one **BOLD** component from each numbered category in the tables below.

| | | | | | | | |
|----------|--------------|----------|------------|----------|----------------|----------|-------------|
| 1 | Model | 2 | LED | 3 | Voltage | 4 | Lens |
| | P81 | | -G | | 24 | | -CG |

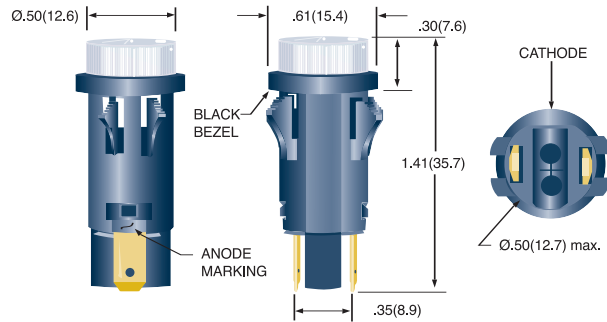
→Part Number **P81-G24-CG**

| HIGH INTENSITY - WATERCLEAR ENCAPSULATION | | | | | | |
|---|------------|--------------|------------------------|--------------------|----------------------|------------------------|
| 2 | LED | Color | λ_{pk} (nm) | I_v [1] (mcd) | Viewing Angle | V/C Table[2] |
| | -R | RED | 634 | 780 | 75 | I |
| | -O | ORG | 605 | 360 | 75 | I |
| | -A | AMB | 592 | 600 | 75 | I |
| | -G | GRN | 520 | 780 | 75 | II |
| | -B | BLU | 465 | 168 | 75 | II |
| | -W | CWHT | | 280 | 75 | II |

| Voltage/Current | |
|--------------------|------------|
| Design Vf/If | Max Vf/If |
| V/C Table I | |
| 5V/22mA | 5.5V/28mA |
| 6V/21mA | 7V/27mA |
| 12V/20mA | 14V/25mA |
| 15V/24mA | 16.5V/28mA |
| 24V/17mA | 26V/20mA |
| 28V/16.5mA | 30V/18mA |
| 48V/15mA | 50V/16mA |
| 60V/9mA | 65V/10mA |
| 120VAC/3.5mA | 130VAC/4mA |

| 3 | Voltage ^[4] |
|----------|-------------------------------|
| | 2 |
| | 5 |
| | 6 |
| | 12 |
| | 15 |
| | 24 |
| | 28 |
| | 48 |
| | 60 |
| | 120 |

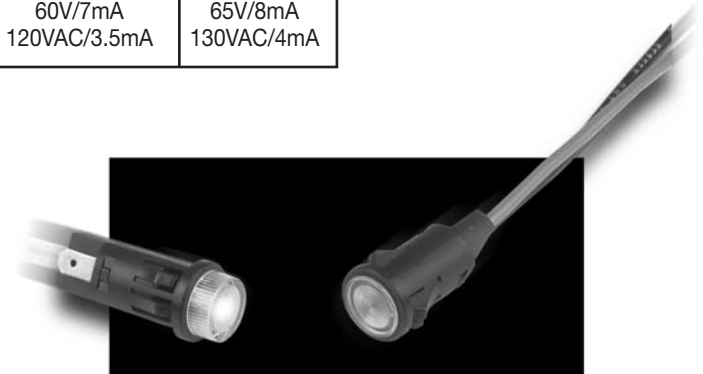
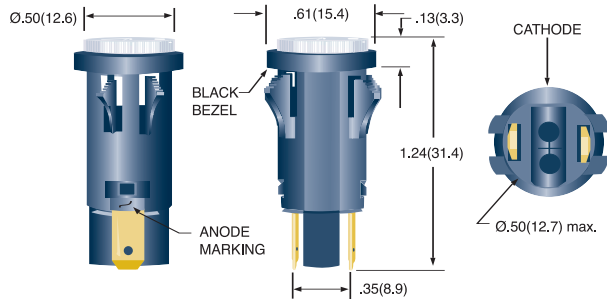
P81



| Voltage/Current | |
|---------------------|------------|
| Design Vf/If | Max Vf/If |
| V/C Table II | |
| 5V/15mA | 5.5V/23mA |
| 6V/15mA | 7V/25mA |
| 12V/15mA | 14V/20mA |
| 15V/15mA | 16.5V/18mA |
| 24V/15mA | 26V/18mA |
| 28V/15mA | 30V/17mA |
| 48V/9.5mA | 50V/10mA |
| 60V/7mA | 65V/8mA |
| 120VAC/3.5mA | 130VAC/4mA |

| 4 | Lens |
|----------|-------------|
| -CR | Red |
| -CA | Amber |
| -CG | Green |
| -CB | Blue |
| -CW | Water Clear |

P84



[1] I_v = typical luminous intensity @ $I_f = 20mA(T_a=25^\circ C)$. I_v is measured without lenses.
 [2] See Voltage/Current table for design specifications.
 [3] $T_a = 25^\circ C$. Voltages 5 through 60 are VDC. For AC operation, insert D after Voltage (e.g 24D), D indicates built-in rectifier; not required for 5VDC or 120VAC. DC operation not available for 120V.

Standard Wire Leads:
 6.0" total length(nominal)/.50" stripped (nominal), red anode/black cathode, 18 AWG stranded UL1015 insulation. Contact factory for other lengths, gauges and colors.

All dimensions are in inches (mm)
 Tolerances: .xx"(.x) $\pm .025"$ (.63) / .xxx"(.xx) $\pm .010"$ (.25)
 Specifications are subject to change without notice.