



Chipsmall Limited consists of a professional team with an average of over 10 year of expertise in the distribution of electronic components. Based in Hongkong, we have already established firm and mutual-benefit business relationships with customers from,Europe,America and south Asia,supplying obsolete and hard-to-find components to meet their specific needs.

With the principle of “Quality Parts,Customers Priority,Honest Operation,and Considerate Service”,our business mainly focus on the distribution of electronic components. Line cards we deal with include Microchip,ALPS,ROHM,Xilinx,Pulse,ON,Everlight and Freescale. Main products comprise IC,Modules,Potentiometer,IC Socket,Relay,Connector.Our parts cover such applications as commercial,industrial, and automotives areas.

We are looking forward to setting up business relationship with you and hope to provide you with the best service and solution. Let us make a better world for our industry!



Contact us

Tel: +86-755-8981 8866 Fax: +86-755-8427 6832

Email & Skype: info@chipsmall.com Web: www.chipsmall.com

Address: A1208, Overseas Decoration Building, #122 Zhenhua RD., Futian, Shenzhen, China



- For Detailed LED Data, See Discrete Section, Model 200

1	Model	Wires
	P81 P84	W (optional)

TO ORDER, FOLLOW THE EXAMPLE:

Select one **BOLD** component from each numbered category in the tables below.

1	Model	2	LED	3	Voltage	4	Lens
	P81		-G		24		-CG

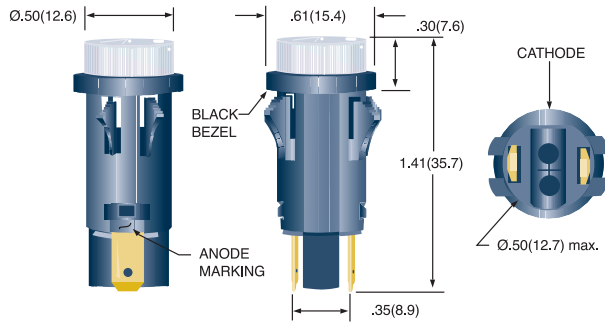
→Part Number **P81-G24-CG**

HIGH INTENSITY - WATERCLEAR ENCAPSULATION						
2	LED	Color	λ_{pk} (nm)	I_v [1] (mcd)	Viewing Angle	V/C Table[3]
	-R	RED	634	5300	30	I
	-O	ORG	605	2000	30	I
	-A	AMB	592	5300	30	I
	-G	GRN	520	2400	45	II
	-B	BLU	465	700	45	II
	-W	WHT	[2]	1560	50	II

Voltage/Current	
Design Vf/If	Max Vf/If
V/C Table I	
5V/27mA	5.5V/40mA
6V/26mA	7V/33mA
12V/27mA	14V/35mA
15V/24mA	16.5V/28mA
24V/17mA	26V/20mA
28V/16.5mA	30V/18mA
48V/15mA	50V/16mA
60V/9mA	65V/10mA
120VAC/3.5mA	130VAC/4mA

3	Voltage ^[4]
	5H
	6H
	12H
	15H
	24H
	28H
	48H
	60H
	120

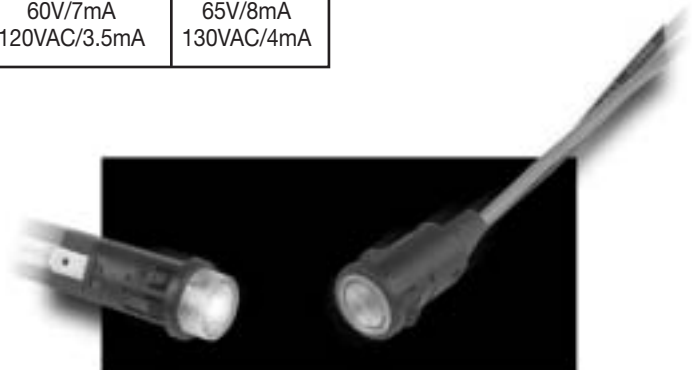
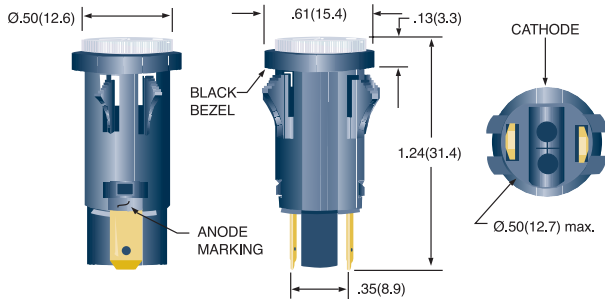
P81



Voltage/Current	
Design Vf/If	Max Vf/If
V/C Table II	
5V/15mA	6V/26mA
6V/15mA	7V/25mA
12V/15mA	14V/20mA
15V/15mA	16.5V/18mA
24V/15mA	26V/18mA
28V/15mA	30V/17mA
48V/9.5mA	50V/10mA
60V/7mA	65V/8mA
120VAC/3.5mA	130VAC/4mA

4	Lens
-CR	Red
-CA	Amber
-CG	Green
-CB	Blue
-CW	Water Clear

P84



[1] I_v = typical luminous intensity @ $I_f = 20\text{mA}$ ($T_a = 25^\circ\text{C}$). I_v is measured without lenses.

[2] White is identified by one of four CIE coordinates x:0.290/y:0.260, x:0.290/y:0.305, x:0.330/y:0.365, x:0.330/y:0.320

[3] See Voltage/Current table for design specifications.

[4] $T_a = 25^\circ\text{C}$. Voltages 5H through 60H are VDC. For AC operation, insert D after Voltage (e.g. 24HD), D indicates built-in rectifier; not required for 15H or less, or 120VAC. DC operation not available for 120V.

Standard Wire Leads:
6.0" total length(nominal)/.50" stripped (nominal), red anode/black cathode, 18 AWG TPB UL1015 insulation. Contact factory for other lengths, gauges and colors.

All dimensions are in inches (mm)
Tolerances: .xx"(.x) $\pm 0.025"$ (.63) / .xxx"(.xx) $\pm 0.010"$ (.25)
Specifications are subject to change without notice.