



Chipsmall Limited consists of a professional team with an average of over 10 year of expertise in the distribution of electronic components. Based in Hongkong, we have already established firm and mutual-benefit business relationships with customers from,Europe,America and south Asia,supplying obsolete and hard-to-find components to meet their specific needs.

With the principle of “Quality Parts,Customers Priority,Honest Operation,and Considerate Service”,our business mainly focus on the distribution of electronic components. Line cards we deal with include Microchip,ALPS,ROHM,Xilinx,Pulse,ON,Everlight and Freescale. Main products comprise IC,Modules,Potentiometer,IC Socket,Relay,Connector.Our parts cover such applications as commercial,industrial, and automotives areas.

We are looking forward to setting up business relationship with you and hope to provide you with the best service and solution. Let us make a better world for our industry!



Contact us

Tel: +86-755-8981 8866 Fax: +86-755-8427 6832

Email & Skype: info@chipsmall.com Web: www.chipsmall.com

Address: A1208, Overseas Decoration Building, #122 Zhenhua RD., Futian, Shenzhen, China



Class II 63W LED Controlgear : PA-1600-48 Series

Product Features

- Universal AC Input
- High Power Factor
- Low Total Harmonic Distortion
- Short Circuit / Open Circuit / Over Voltage / Over Temperature Protections
- Suitable for Dry & Damp Location
- Adjustable Output Current by Dimming Input
- RoHS Compliant

AC Input / DC Output

• AC Input Voltage	100 ~ 305Vac (110 ~ 277Vac)
• AC Input Frequency	47 ~ 63Hz (50~60Hz)
• Max. Input Current @ 110Vac (60Hz)	1.0A
• Min. PF @ 230Vac (50Hz) / 60V Output	0.95
• Min. PF @ 230Vac (50Hz) / 42V Output (70% load)	0.92
• Min. PF @ 277Vac (60Hz) / Output > 30W	0.9
• Max. THD @ 110~277Vac / Output > 30W	20%
• Min. Eff. @ 220Vac (50Hz) / 60V Output	89%
• Turn On Delay Time	<1.5 seconds
• DC Output Current	1050mA
• Line Regulation	±3%
• Load Regulation	±5%
• DC Output Voltage Range	28.5 ~ 60V
• Ripple Current	±20%
• DC Output Isolation	yes

EMC

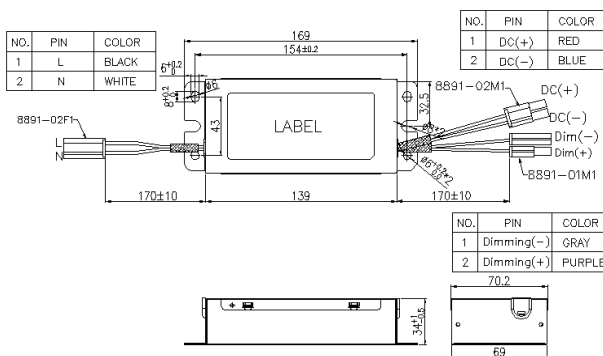
• EMI	FCC Class A
• Harmonic Current Emissions	EN61000-3-2
• Voltage Fluctuations & Flicker	EN61000-3-3
• Electrostatic Discharge (ESD)	EN61000-4-2 ±4KV (Contact), ±8KV (Air)
• RS Immunity Test	EN61000-4-3 80MHz ~ 1GHz, 3V/m, 80% AM (1KHz)
• Electrical Fast Transient	EN61000-4-4 ±1KV for AC power line, ±0.5KV for DC / signal line
• Lighting Surge	EN61000-4-5 ±4KV (Com.), ±4KV (Dif.)
• CS Immunity Test	EN61000-4-6 0.15MHz ~ 80MHz, 3V, 80% AM (1KHz)
• Voltage Dips & Short Interruptions	EN61000-4-11 30%, 25 cycles voltage reduction 100%, 0.5 cycles voltage reduction

Operating Environments / Reliability

• Operating Temperature / Humidity	-40 ~ 60°C / 10 ~ 95% RH
• Storage Temperature / Humidity	-40 ~ 80°C / 10 ~ 95% RH
• Vibration (with shipping container)	1.146Grms / 5~200Hz / six sides 30 minutes / side
• Vibration (operation)	6Grms / 10~1000Hz / X/Y/Z axis 15 minutes / axis
• MTBF Life (Note 3)	50,000 Hrs while Tc ≤ 75°C 100,000 Hrs while Tc ≤ 65°C 85°C
• Tc	free air convection
• Cooling	meet Class A sound rating
• Sound Level	

Mechanical

• AC Input Terminal	170mm / black(L) & white(N) color / UL1316
• DC Output Terminal	170mm / red(DC +) & blue(DC -) color / UL1316
• Dimming Input Terminal	170mm / purple(dim +) & gray(dim -) color / UL1316
• Weight (typ.)	730g
• Outline Dimension	169mm(L) * 70.2mm(W) * 34mm(H)



Protections

• OVP or Open Circuit	constant voltage, 77V max.
• SCP	auto recovery
• OTP	latch off

Safety / Certifications

• Hi Pot (AC I/P to Case)	3750Vac / 10mA / 60Sec.
• Hi Pot (AC I/P to O/P)	3750Vac / 10mA / 60Sec.
• Insulation (AC I/P to O/P)	>20MΩ, 500Vdc
• Complied with UL8750, 1st Edition	
• Complied with UL60950-1, 2nd Edition	
• Complied with CAN/CSA-C22.2 No.60950-1-07, 2nd Edition	



Dimming Input

- Support 2 in 1 Dimming Function
- Resistor Dimming Range (10~100K)
- Voltage Dimming Range (1~10V)
- Resistor Dimming Reference Table

Resistor Dimming	63.4KΩ ±1%	48.7KΩ ±1%
Output Current	700mA	540mA
Tolerance	±10%	±10%

- Voltage Dimming Reference Table

Voltage Dimming	6.6V	5V
Output Current	700mA	530mA
Tolerance	±10%	±10%

Notes :

- (1) above definition is based on 25°C ambient if not specified
- (2) this LED driver is designed and intended for operating with LED load only
- (3) MTBF evaluation is based on SR-332 method, 115Vac/60Hz, max load
- (4) to measure efficiency after burn-in 30 minutes with full output load
- (5) recommend to install the controlgear inside the enclosure