



Chipsmall Limited consists of a professional team with an average of over 10 year of expertise in the distribution of electronic components. Based in Hongkong, we have already established firm and mutual-benefit business relationships with customers from,Europe,America and south Asia,supplying obsolete and hard-to-find components to meet their specific needs.

With the principle of “Quality Parts,Customers Priority,Honest Operation,and Considerate Service”,our business mainly focus on the distribution of electronic components. Line cards we deal with include Microchip,ALPS,ROHM,Xilinx,Pulse,ON,Everlight and Freescale. Main products comprise IC,Modules,Potentiometer,IC Socket,Relay,Connector.Our parts cover such applications as commercial,industrial, and automotives areas.

We are looking forward to setting up business relationship with you and hope to provide you with the best service and solution. Let us make a better world for our industry!



Contact us

Tel: +86-755-8981 8866 Fax: +86-755-8427 6832

Email & Skype: info@chipsmall.com Web: www.chipsmall.com





Address: A1208, Overseas Decoration Building, #122 Zhenhua RD., Futian, Shenzhen, China



SMT FLYBACK TRANSFORMER FOR PHOTOFLASH CAPACITOR CHARGER

For use with Linear Technology's LT3420



-  Lowest cost transformer solution
-  Optimized design for lowest leakage inductance and secondary side capacitance
-  Smallest footprint available: 9.1mm x 9.1mm maximum
-  Low profile - height is .205" (5,20mm) maximum

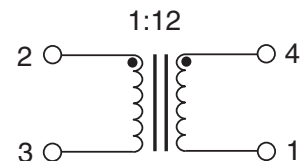
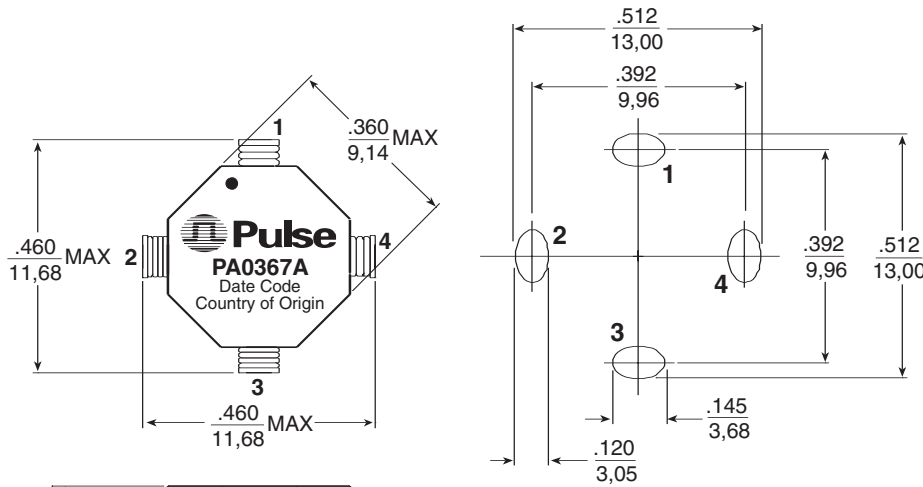
Electrical Specifications @ 25°C — Operating Temperature -40°C to 130°C

| Pulse Number | Inductance @ Irated (μH MIN) | Irated (A dc) | Turns ratio (Pri:Sec) | Leakage Inductance (μH MAX) | DCR | | Primary Secondary Isolation |
|--------------|------------------------------|---------------|-----------------------|-----------------------------|------------------|-------------------|-----------------------------|
| | | | | | Primary (mΩ MAX) | Secondary (Ω MAX) | |
| PA0367A | 18 | 1.5 | 1:12 | 0.75 | 180 | 18 | 500Vrms |

NOTES: The PA0367A is a modified version of the Pulse PA0367 which was tested and approved by Linear Technology for use with the LT3420. The PA0367 has now been discontinued. the PA0367A has the same mechanical footprint and size as the PA0367 and meets the requirements of the LT3420 specifications.

Mechanical

Schematic



\square .005/0,13
4 SURFACES

SEATING PLANE
NOTE: Coil must clear seating plane by a minimum of .010 inches.

Weight0.8 grams
Tape & Reel400/reel

Dimensions: $\frac{\text{Inches}}{\text{mm}}$

Unless otherwise specified, all tolerances are $\pm \frac{.010}{.025}$

For More Information :

| UNITED STATES (Worldwide) | UNITED KINGDOM (Northern Europe) | FRANCE (Southern Europe) | SINGAPORE (Southern Asia) | TAIWAN, R.O.C. (Northern Asia) | HONG KONG (China/Hong Kong) | DISTRIBUTOR |
|---|--|---|---|---|---|-------------|
| 12220 World Trade Drive San Diego, CA 92128 U.S.A. http://www.pulseeng.com TEL: 858 674 8100 FAX: 858 674 8262 | 3 Huxley Road Surrey Research Park Guildford, Surrey GU2 5RE United Kingdom TEL: 44 1483 401700 FAX: 44 1483 401701 | Zone Industrielle F-39270 Orgelet France TEL: 33 3 84 35 04 04 FAX: 33 3 84 25 46 41 | 150 Kampong Ampat #07-01/02 KA Centre Singapore 368324 TEL: 65 6287 8998 FAX: 65 6280 0080 | 3F-4, No. 81, Sec. 1 HsinTai Wu Road Hsi-Chih, Taipei Hsien Taiwan, R.O.C. Tel: 886 2 2698 0228 FAX: 886 2 2698 0948 | 9/F, Phase 2, Tai Sang Shatin Warehouse Centre 6 Wong Chuk Yeung Street Fotan, Shatin, Hong Kong TEL: 852 2788 6588 FAX: 852 2776 1055 | |

Performance warranty of products offered on this data sheet is limited to the parameters specified. Data is subject to change without notice. Other brand and product names mentioned herein may be trademarks or registered trademarks of their respective owners.