



Chipsmall Limited consists of a professional team with an average of over 10 year of expertise in the distribution of electronic components. Based in Hongkong, we have already established firm and mutual-benefit business relationships with customers from,Europe,America and south Asia,supplying obsolete and hard-to-find components to meet their specific needs.

With the principle of “Quality Parts,Customers Priority,Honest Operation,and Considerate Service”,our business mainly focus on the distribution of electronic components. Line cards we deal with include Microchip,ALPS,ROHM,Xilinx,Pulse,ON,Everlight and Freescale. Main products comprise IC,Modules,Potentiometer,IC Socket,Relay,Connector.Our parts cover such applications as commercial,industrial, and automotives areas.

We are looking forward to setting up business relationship with you and hope to provide you with the best service and solution. Let us make a better world for our industry!



## Contact us

Tel: +86-755-8981 8866 Fax: +86-755-8427 6832

Email & Skype: info@chipsmall.com Web: www.chipsmall.com

Address: A1208, Overseas Decoration Building, #122 Zhenhua RD., Futian, Shenzhen, China



# P-Series

## PUSHBUTTON SWITCHES

These rugged pushbutton-type switches feature international approvals, ratings to 20A 125VAC and a heavy actuation force (3-5 lbs. typical) which makes this switch ideal for use as a “foot-pedal” switch. The metal bushing and plunger construction enables this alternate action switch to withstand the rigors of most any stringent pushbutton application.



### Product Highlights:

- ♦ Rugged metal clad construction ideal for foot pedal applications
- ♦ Ratings to 20A 125VAC
- ♦ UL, CSA and TUV approvals
- ♦ Maintained On-Off or On-ON circuitry

### Typical Applications:

- ♦ Vacuum Cleaners



### Dielectric Strength

UL/CSA: 1000 - live to dead metal parts & opposite polarity  
 TUV: 4000V - live to dead metal parts; 1250V - opposite polarity across open contacts

### Electrical Life

50,000 cycles

### Mechanical Life

100,000 cycles

### Operating Temperature

0°F to 85°F (32°C to 85°C)

# PA341

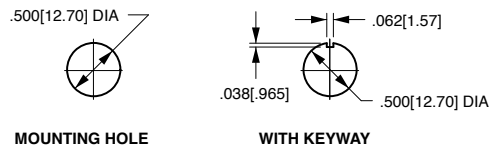
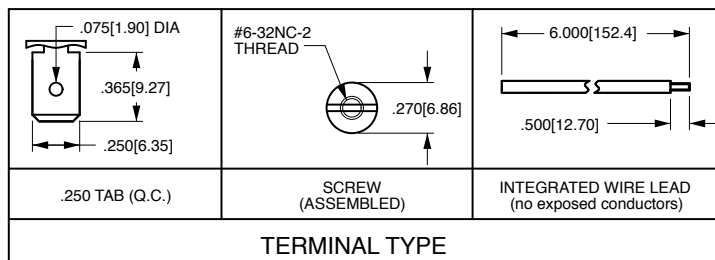
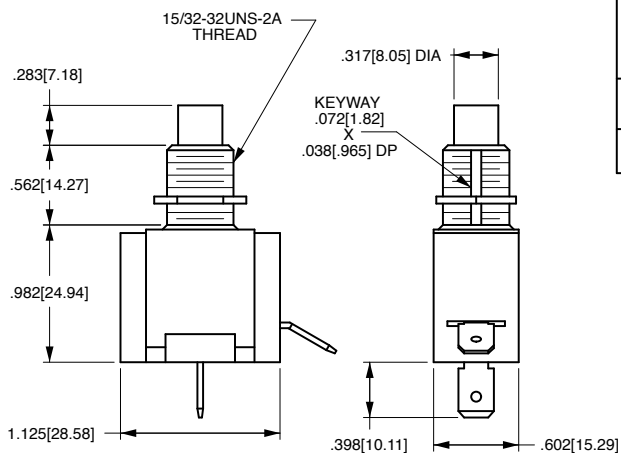
<sup>1</sup>  
Part Number

#### 1 PART NUMBER: SERIES / ACTUATOR / CIRCUITRY / RATING / TERMINATION

	.250 Tab	Screw Terms.	Wire Leads
<b>10A 250VAC, 15A 125VAC, 3/4 HP 120-240 VAC</b> <sup>1</sup>			
On-Off	PA341	PA344	PA345
On-On	PB341	PB344	PB345
<b>10A 250VAC, 20A 125VAC, 1 1/2 HP 120-240 VAC</b> <sup>1</sup>			
On-Off	PA301	PA304	PA305
On-On	PB301	PB304	PB305
<b>10A 250VAC, 15A 125VAC, 10(6)a 250 VACu, T85</b> <sup>2</sup>			
On-Off	PA951	PA954	PA955

Notes:

- 1 Additional ratings available. Consult factory.
- 2 UL, CSA & TUV approved.



\*Manufacturer reserves the right to change product specification without prior notice.



## Authorized Sales Representatives and Distributors

Click on a region of the map below to find your local representatives and distributors or visit [www.carlingtech.com/findarep](http://www.carlingtech.com/findarep).



## About Carling

Founded in 1920, Carling Technologies is a leading manufacturer of electrical and electronic switches and assemblies, circuit breakers, electronic controls, power distribution units, and multiplexed power distribution systems. With four ISO registered manufacturing facilities and technical sales offices worldwide, Carling Technologies Sales, Service and Engineering teams do much more than manufacture electrical components, they engineer powerful solutions! To learn more about Carling please visit [www.carlingtech.com/company-profile](http://www.carlingtech.com/company-profile).

To view all of Carling's environmental, quality, health & safety certifications please visit [www.carlingtech.com/environmental-certifications](http://www.carlingtech.com/environmental-certifications)

## **Worldwide Headquarters**

Carling Technologies, Inc.  
60 Johnson Avenue, Plainville, CT 06062  
**Phone:** 860.793.9281 **Fax:** 860.793.9231  
**Email:** sales@carlingtech.com

**Northern Region Sales Office:** nrsm@carlingtech.com  
**Southeast Region Sales Office:** sersm@carlingtech.com  
**Midwest Region Sales Office:** mrsm@carlingtech.com  
**West Region Sales Office:** wrsm@carlingtech.com  
**Latin America Sales Office:** larsm@carlingtech.com

## **Asia-Pacific Headquarters**

Carling Technologies, Asia-Pacific Ltd.,  
Suite 1607, 16/F Tower 2, The Gateway,  
Harbour City, 25 Canton Road,  
Tsimshatsui, Kowloon, Hong Kong  
**Phone:** Int + 852-2737-2277 **Fax:** Int + 852-2736-9332  
**Email:** sales@carlingtech.com.hk

**Shenzhen, China:** shenzhen@carlingtech.com  
**Shanghai, China:** shanghai@carlingtech.com  
**Pune, India:** india@carlingtech.com  
**Kaohsiung, Taiwan:** taiwan@carlingtech.com  
**Yokohama, Japan:** japan@carlingtech.com

## **Europe | Middle East | Africa Headquarters**

Carling Technologies LTD  
4 Airport Business Park, Exeter Airport,  
Clyst Honiton, Exeter, Devon, EX5 2UL, UK  
**Phone:** Int + 44 1392.364422 **Fax:** Int + 44 1392.364477  
**Email:** ltd.sales@carlingtech.com

**Germany:** gmbh@carlingtech.com  
**France:** sas@carlingtech.com



**Carling Technologies®**

Innovative Designs. Powerful Solutions.