



Chipsmall Limited consists of a professional team with an average of over 10 year of expertise in the distribution of electronic components. Based in Hongkong, we have already established firm and mutual-benefit business relationships with customers from,Europe,America and south Asia,supplying obsolete and hard-to-find components to meet their specific needs.

With the principle of "Quality Parts,Customers Priority,Honest Operation,and Considerate Service",our business mainly focus on the distribution of electronic components. Line cards we deal with include Microchip,ALPS,ROHM,Xilinx,Pulse,ON,Everlight and Freescale. Main products comprise IC,Modules,Potentiometer,IC Socket,Relay,Connector.Our parts cover such applications as commercial,industrial, and automotives areas.

We are looking forward to setting up business relationship with you and hope to provide you with the best service and solution. Let us make a better world for our industry!



## Contact us

Tel: +86-755-8981 8866 Fax: +86-755-8427 6832

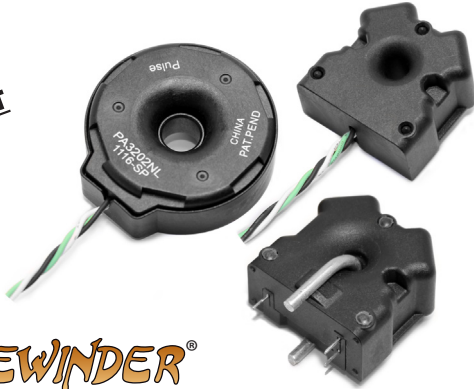
Email & Skype: info@chipsmall.com Web: www.chipsmall.com

Address: A1208, Overseas Decoration Building, #122 Zhenhua RD., Futian, Shenzhen, China



# SIDEWINDER® - CURRENT SENSOR

PA320XNL Series



- 50/60 Hz, Single Phase, AC Current Sensor
- Dynamic Range from 0.1 to 1000 Amps
- Meets ANSI C12.20 Accuracy Class 0.2
- Meets IEC 62053-21 class 1
- Phase error < 0.05 degree
- Bandwidth 500KHz
- Immune to external AC magnetic fields
- Immune to DC current & DC magnetic field
- Very low temperature coefficient
- Patent pending

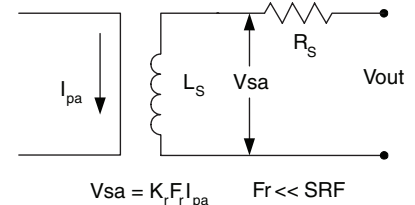
Electrical Specifications at 25°C Temp Range -40°C to 130°C							Actual Secondary Output Voltage (V <sub>sa</sub> )	
Part Number	Accuracy Class <sup>3</sup>	Kr <sup>4</sup> (μΩ/Hz typ)	Pri-Sec Isolation (V min)	L <sub>s</sub> <sup>5</sup> (mH typ)	R <sub>s</sub> <sup>6</sup> (Ohms typ)	SRF <sup>7</sup> (Hz typ)	@ 50 Hz (μV/A) <sup>1</sup>	@ 60 Hz (μV/A) <sup>1</sup>
PA3202NL	0.2	8.33	6,000	1.75	57.3	160,000	416	500
PA3206NL	0.2	7.66	6000	1.14	37.6	200,000	383	460
PA3208NL	0.2	7.66	6000	1.14	37.6	200,000	383	460

EQUATIONS:  $V_{sa} = K_r F_r I_{pa}$   
 $F_r \ll SRF$

**NOTES:**

1. Output Voltage is proportional to the derivative (di/dt) of the input current based on the Rogowski Coil principle.
2. All current and voltages assumed to be sinusoidal waveforms at F<sub>r</sub>, the constant rated frequency in Hz, measured as RMS values.
3. Accuracy Class per IEC 60044-1 Table 11 where:
  - Percentage current error =  $((K_r \cdot F_r \cdot I_{pa} - V_{out}) / V_{out}) \times 100$
  - Phase displacement = the difference between the primary current (I<sub>pa</sub>) phase vector and the (secondary voltage (V<sub>out</sub>)) phase vector minus 90 degrees)
4. Kr = Rated transformation constant
5. L<sub>s</sub> = Secondary winding inductance
6. R<sub>s</sub> = Secondary winding resistance
7. SRF = Self Resonate Frequency
8. I<sub>pa</sub> = Actual primary current
9. V<sub>sa</sub> = Actual secondary output voltage

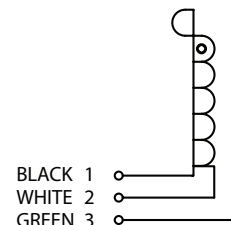
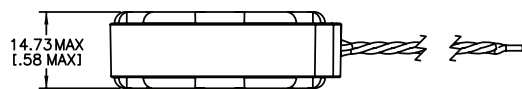
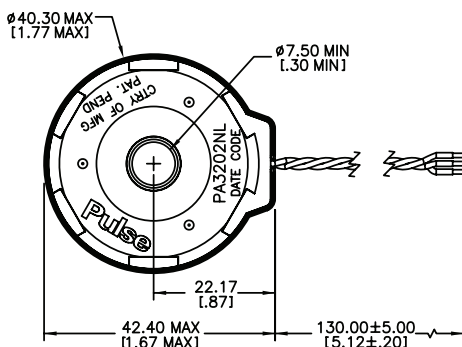
**Low Frequency Equivalent Circuit**



**Mechanicals**

**Schematics**

**PA3202NL**



# SIDEWINDER® - CURRENT SENSOR

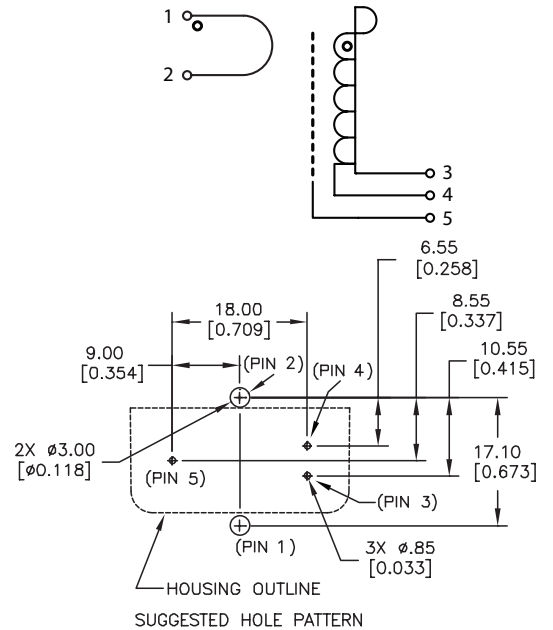
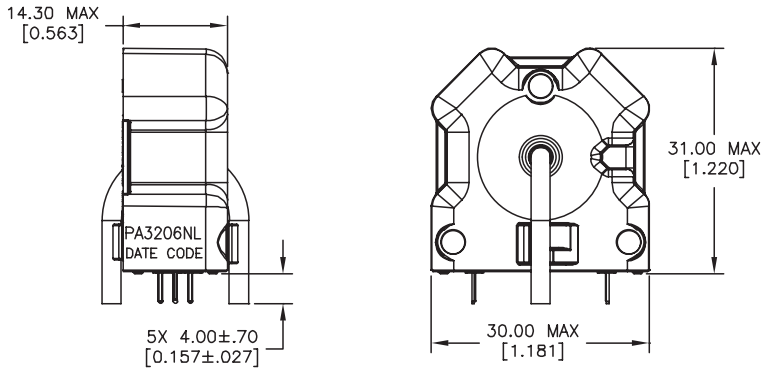
PA320XNL Series



## Mechanicals

## Schematics

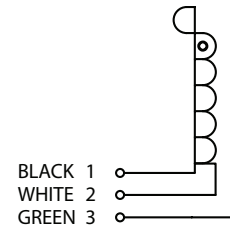
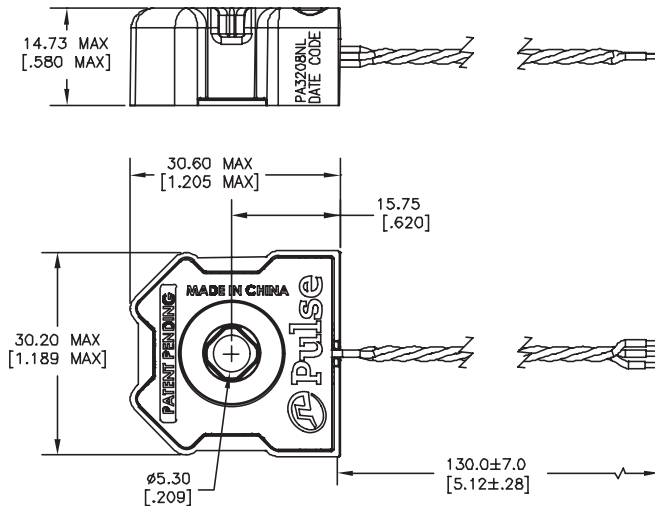
### PA3206NL



## Mechanicals

## Schematics

### PA3208NL



## For More Information

### Pulse Worldwide Headquarters

12220 World Trade Drive  
 San Diego, CA 92128  
 U.S.A.

Tel: 858 674 8100  
 Fax: 858 674 8262

### Pulse Europe

Einsteinstrasse 1  
 D-71083 Herrenberg  
 Germany

Tel: 49 7032 7806 0  
 Fax: 49 7032 7806 135

### Pulse China Headquarters

B402, Shenzhen Academy of  
 Aerospace Technology Bldg.  
 10th Kejinan Road  
 High-Tech Zone  
 Nanshan District  
 Shenzhen, PR China 518057

Tel: 86 755 33966678  
 Fax: 86 755 33966700

### Pulse North China

Room 2704/2705  
 Super Ocean Finance Ctr.  
 2067 Yan An Road West  
 Shanghai 200336  
 China

Tel: 86 21 62787060  
 Fax: 86 2162786973

### Pulse South Asia

135 Joo Seng Road  
 #03-02  
 PM Industrial Bldg.  
 Singapore 368363

Tel: 65 6287 8998  
 Fax: 65 6287 8998

### Pulse North Asia

3F, No. 198  
 Zhongyuan Road  
 Zhongli City  
 Taoyuan County 320  
 Taiwan R. O. C.

Tel: 886 3 4356768  
 Fax: 886 3 4356823 (Pulse)  
 Fax: 886 3 4356820 (FRE)

Performance warranty of products offered on this data sheet is limited to the parameters specified. Data is subject to change without notice. Other brand and product names mentioned herein may be trademarks or registered trademarks of their respective owners. © Copyright, 2011. Pulse Electronics, Inc. All rights reserved.