



Chipsmall Limited consists of a professional team with an average of over 10 year of expertise in the distribution of electronic components. Based in Hongkong, we have already established firm and mutual-benefit business relationships with customers from,Europe,America and south Asia,supplying obsolete and hard-to-find components to meet their specific needs.

With the principle of “Quality Parts,Customers Priority,Honest Operation,and Considerate Service”,our business mainly focus on the distribution of electronic components. Line cards we deal with include Microchip,ALPS,ROHM,Xilinx,Pulse,ON,Everlight and Freescale. Main products comprise IC,Modules,Potentiometer,IC Socket,Relay,Connector.Our parts cover such applications as commercial,industrial, and automotives areas.

We are looking forward to setting up business relationship with you and hope to provide you with the best service and solution. Let us make a better world for our industry!



## Contact us

Tel: +86-755-8981 8866 Fax: +86-755-8427 6832

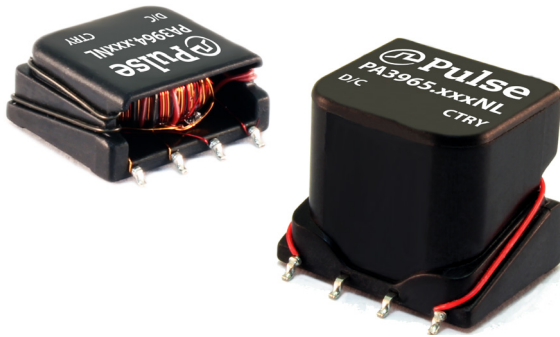
Email & Skype: info@chipsmall.com Web: www.chipsmall.com

Address: A1208, Overseas Decoration Building, #122 Zhenhua RD., Futian, Shenzhen, China



# High Isolation Power Transformers

PA3964.XXXNL and PA3965.XXXNL - SMT



- Power Range:** up to 10W
- Height:** 7.0mm to 14.0mm Max
- Footprint:** 18.0mm x 15.6mm Max
- Topology:** Forward, Flyback and Push-pull
- Isolation:** 5.0kVrms (1000Vrms continuous)
- Insulation:** Basic, 12mm creepage and clearance distance
- Patent Pending:**

## Electrical Specifications @ 25°C - Operating Temperature -40°C to +130°C<sup>2</sup>

Model	Parameter	Winding	Value	Notes
PA3964.001NL	Pri. Inductance	(1-2)	15.6mH ± 15%	
	Lk. Inductance	(1-2) with (3, 4, 5, 8) shorted	1.4µH MAX	
	DCR	(1-2)	1000mΩ MAX	
		(3-4)	570mΩ MAX	
		(5-8)	450mΩ MAX	
Hi-Pot	Pri-Sec	5000Vrms		
PA3964.002NL	Pri. Inductance	(3-4)	0.51mH ± 15%	
	Lk. Inductance	(5-8) with (6,7) and (1,2,3,4) shorted	1.4µH MAX	
	DCR	(5-6)=(7-8)	115mΩ MAX	
		(1-2)=(3-4)	162mΩ MAX	
	Hi-Pot	Pri-Sec	5000Vrms	
PA3965.001NL	Pri. Inductance	(1-2)	680µH ± 15%	
	Lk. Inductance	(1-2) with (3,4,5,8) shorted	15µH MAX	
	DCR	(1-2)	1870mΩ MAX	
		(3-4)	290mΩ MAX	
		(5-8)	90mΩ MAX	
Hi-Pot	Pri-Sec	5000Vrms		
PA3965.002NL	Pri. Inductance	(1-2)	680µH ± 15%	
	Lk. Inductance	(1-2) with (3,4,5,8) shorted	15µH MAX	
	DCR	(1-2)	1870mΩ MAX	
		(3-4)	290mΩ MAX	
		(5-8)	25mΩ MAX	
Hi-Pot	Pri-Sec	5000Vrms		

# High Isolation Power Transformers

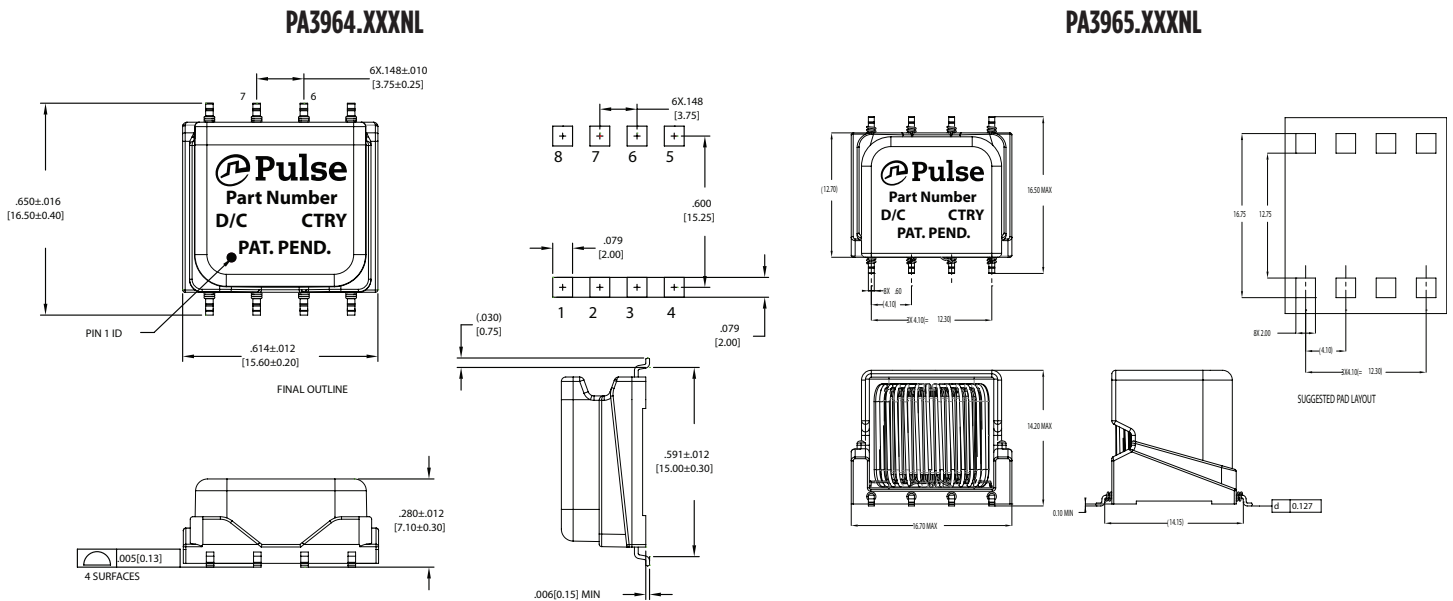
PA3964.XXXNL and PA3965.XXXNL - SMT

## Notes:

1. The temperature of the component (ambient plus temperature rise) must be within the stated operating temperature range.
2. Continuous isolation voltage confirmed by 125°C/1000hrs accelerated aging with the bias voltage applied between primary and secondary windings.
3. Optional Tape & Reel packaging can be ordered by adding a "T" suffix to the part number (i.e. PA3964.001NL becomes PA3964.001NLT). Pulse complies with industry standard tape and reel specification EIA481. The tape and reel for this product has a width (W=32mm), pitch (Po=24mm) and depth (Ko) is equal to 8.0 for PA3964.XXXNL and 14.5 for PA3965.XXXNL. PA3964.XXXNL has 300pcs per reel. PA3965.XXXNL has 150pcs per reel.
4. US Patent application number: 13/291,545

## Mechanicals

### PA3964.XXXNL and PA3965.XXXNL



## For More Information

### Pulse Worldwide Headquarters

15255 Innovation Drive Ste 100  
San Diego, CA 92128  
U.S.A.

Tel: 858 674 8100  
Fax: 858 674 8262

### Pulse Europe

Pulse Electronics GmbH  
Am Rottland 12  
58540 Meinerzhagen  
Germany

Tel: 49 2354 777 100  
Fax: 49 2354 777 168

### Pulse China Headquarters

B402, Shenzhen Academy of  
Aerospace Technology Bldg.  
10th Kejian Road  
High-Tech Zone  
Nanshan District  
Shenzhen, PR China 518057

Tel: 86 755 33966678  
Fax: 86 755 33966700

### Pulse North China

Room 2704/2705  
Super Ocean Finance Ctr.  
2067 Yan An Road West  
Shanghai 200336  
China

Tel: 86 21 62787060  
Fax: 86 2162786973

### Pulse South Asia

135 Joo Seng Road  
#03-02  
PM Industrial Bldg.  
Singapore 368363

Tel: 65 6287 8998  
Fax: 65 6287 8998

### Pulse North Asia

3F, No. 198  
Zhongyuan Road  
Zhongli City  
Taoyuan County 320  
Taiwan R. O. C.

Tel: 886 3 4356768  
Fax: 886 3 4356823 (Pulse)  
Fax: 886 3 4356820 (FRE)

Performance warranty of products offered on this data sheet is limited to the parameters specified. Data is subject to change without notice. Other brand and product names mentioned herein may be trademarks or registered trademarks of their respective owners. © Copyright, 2017. Pulse Electronics, Inc. All rights reserved.