



Chipsmall Limited consists of a professional team with an average of over 10 year of expertise in the distribution of electronic components. Based in Hongkong, we have already established firm and mutual-benefit business relationships with customers from,Europe,America and south Asia,supplying obsolete and hard-to-find components to meet their specific needs.

With the principle of “Quality Parts,Customers Priority,Honest Operation,and Considerate Service”,our business mainly focus on the distribution of electronic components. Line cards we deal with include Microchip,ALPS,ROHM,Xilinx,Pulse,ON,Everlight and Freescale. Main products comprise IC,Modules,Potentiometer,IC Socket,Relay,Connector.Our parts cover such applications as commercial,industrial, and automotives areas.

We are looking forward to setting up business relationship with you and hope to provide you with the best service and solution. Let us make a better world for our industry!



Contact us

Tel: +86-755-8981 8866 Fax: +86-755-8427 6832

Email & Skype: info@chipsmall.com Web: www.chipsmall.com

Address: A1208, Overseas Decoration Building, #122 Zhenhua RD., Futian, Shenzhen, China



PA40-44-01-DP(-PP) Data Sheet

40 pin DIP socket/44 pin PLCC plug

Supported Device/Footprints

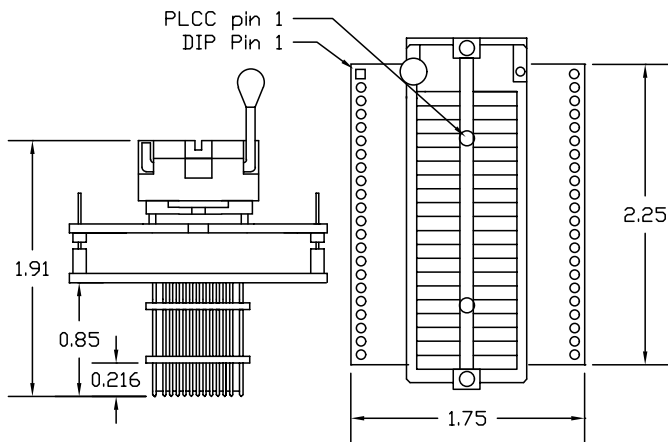
These adapters accept 40 pin DIP devices and plugs into 44 pin PLCC production sockets. They allow DIP devices, or emulators with DIP plugs, to be used during development of PLCC based products.

The following DIP devices footprint are converted to the indicated PLCC footprint.

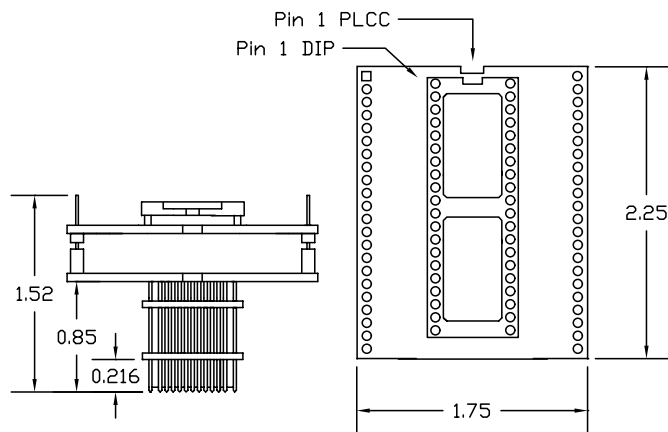
Zilog: Z86C21/ E21/ C61/ E61
Footprint: Same device 44PLCC

Other devices that require the same wiring would also be supported.

Adapter Dimensions



PA40-44-01-DP



PA40-44-01-DP-PP

Adapter Construction

The adapter is made up of 2 sub-assemblies. They assemble via connectors making the adapter modular. This way the sub-assemblies can be easily replaced.

The following chart lists the adapters described by this datasheet and their subassemblies.

Adapter	Test Socket	Top Board	Bottom Board
PA40-44-01-DP	40-ADZ *	44-40-01-DIP	44PLUG
PA40-44-01-DP-PP	none *	44-40-01-DIP	44PLUG

* The top board always has a 40 pin DIP production socket. The optional test socket plugs into the production socket.

Test Sockets

LSC #	Style	Mfgr/Pn
40ADZ	DIP ZIF	Aries 40-6554-11

When disassembling the adapter take care not to bend the pins. When reassembling the adapter note the pin 1 indicators to align the parts correctly.

Test Points

are available using the two rows of header pins.

Adapter Wiring

The following chart shows the connections from the DIP device to the adapter's PLCC plug.

DIP Socket	PLCC Plug	PLCC Plug	DIP Socket
1	1	44	40
2	2	43	39
3	3	42	38
4	4	41	37
5	5	40	36
N/C	6	39	N/C
6	7	38	35
7	8	37	34
8	9	36	33
9	10	35	32
10	11	34	31
11	12	33	30
12	13	32	29
13	14	31	28
14	15	30	27
15	16	29	26
N/C	17	28	N/C
16	18	27	25
17	19	26	24
18	20	25	23
19	21	24	22
20	22	23	21

Skip and short notation: (6, 17, 28, 39)