

Chipsmall Limited consists of a professional team with an average of over 10 year of expertise in the distribution of electronic components. Based in Hongkong, we have already established firm and mutual-benefit business relationships with customers from,Europe,America and south Asia,supplying obsolete and hard-to-find components to meet their specific needs.

With the principle of “Quality Parts,Customers Priority,Honest Operation,and Considerate Service”,our business mainly focus on the distribution of electronic components. Line cards we deal with include Microchip,ALPS,ROHM,Xilinx,Pulse,ON,Everlight and Freescale. Main products comprise IC,Modules,Potentiometer,IC Socket,Relay,Connector.Our parts cover such applications as commercial,industrial, and automotives areas.

We are looking forward to setting up business relationship with you and hope to provide you with the best service and solution. Let us make a better world for our industry!



## Contact us

Tel: +86-755-8981 8866 Fax: +86-755-8427 6832

Email & Skype: [info@chipsmall.com](mailto:info@chipsmall.com) Web: [www.chipsmall.com](http://www.chipsmall.com)

Address: A1208, Overseas Decoration Building, #122 Zhenhua RD., Futian, Shenzhen, China

# PA40Dx-44QF-34 Data Sheet

40 pin DIP socket/44 pin QFP plug

## Supported Device/Footprints

These adapters accept 40 pin DIP devices and have a removable 44 pin QFP solder-down plug. They allow DIP devices, or emulators with DIP plugs, to be used during development of QFP based products.

The following DIP device footprints are converted to the indicated QFP footprint.

**Zilog:** Z86C34/ C35/ C36/ C44/ C45/ C46

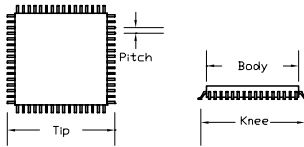
**Footprint:** Same device 44QFP

Other devices that require the same wiring and footprint would also be supported.

This QFP plug will fit most 44 pin. 0.8mm pitch, QFP land patterns. Usually the pads extend from the body past the tip of the device leads. This plug will fit on pads that have a minimum span of 10.0mm or less and a maximum span of 12.0mm or more.

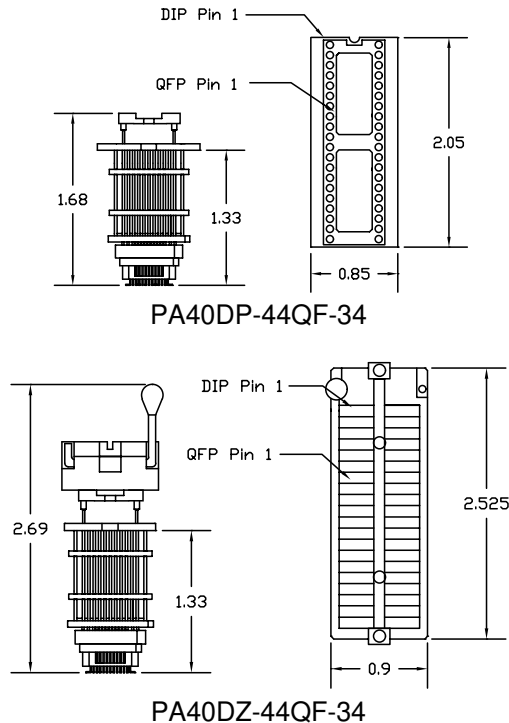
| Inner pad span | Outer pad span |
|----------------|----------------|
| 10.0mm or less | 12.0mm or more |

The QFP Plug's leads are dimensioned as follows.



| Plug   | Body        | Knee       | Tip         | Pitch  |
|--------|-------------|------------|-------------|--------|
| PQF-44 | 10.0 mm typ | 9.6 mm typ | 12.0 mm typ | 0.8 mm |

## Adapter Dimensions



## Adapter Construction

The adapter is made up of 3 or 4 sub-assemblies. They assemble via connectors making the adapter modular. This way the sub-assemblies can be replaced easily.

When disassembling the adapter take care not to bend the pins. When reassembling the adapter note the pin 1 indicators to align the parts correctly.

The following chart lists the adapters described by this datasheet and their subassemblies.

| Adapter        | Test Socket | Board       | QFP Plug |
|----------------|-------------|-------------|----------|
| PA40DZ-44QF-34 | 40-ADZ *    | PA51-DP-34Q | PQF-44   |
| PA40DP-44QF-34 | none *      | PA51-DP-34Q | PQF-44   |

\* The top board always has a 40 pin DIP production socket. The optional test socket plugs into the production socket.

## Test Socket

| LSC # | Style   | Mfgr/Pn          |
|-------|---------|------------------|
| 40ADZ | DIP ZIF | Aries 40-6554-11 |

## Adapter Wiring

The following chart shows the connections from the DIP device to the adapter's QFP plug.

| DIP Socket | SIGNAL | QFP Plug | QFP Plug | SIGNAL | DIP Socket |
|------------|--------|----------|----------|--------|------------|
| 1          | R/W    | 40       | 39       | N/C    | -          |
| 2          | P25    | 41       | 38       | DS     | 40         |
| 3          | P26    | 42       | 37       | P24    | 39         |
| 4          | P27    | 43       | 36       | P23    | 38         |
| 5          | P04    | 44       | 35       | P22    | 37         |
| 6          | P05    | 1        | 34       | P21    | 36         |
| 7          | P06    | 2        | 33       | P20    | 35         |
| 8          | P14    | 3        | 32       | P03    | 34         |
| 9          | P15    | 4        | 31       | P13    | 33         |
| 10         | P07    | 5        | 30       | P12    | 32         |
| 11         | Vcc    | 6        | 29       | GND    | 31         |
| 11         | Vcc    | 7        | 28       | GND    | 31         |
| 12         | P16    | 8        | 27       | P02    | 30         |
| 13         | P17    | 9        | 26       | P11    | 29         |
| 14         | XTAL2  | 10       | 25       | P10    | 28         |
| 15         | XTAL1  | 11       | 24       | P01    | 27         |
| 16         | P31    | 12       | 23       | P00    | 26         |
| 17         | P32    | 13       | 22       | P30    | 25         |
| 18         | P33    | 14       | 21       | P36    | 24         |
| 19         | P34    | 15       | 20       | P37    | 23         |
| 20         | AS     | 16       | 19       | P35    | 22         |
| -          | R/RL   | 17       | 18       | RESET  | 21         |

Skip short notation (1, 12, 23, 34) (12-13), (34-35) using "header" pin numbers.