



Chipsmall Limited consists of a professional team with an average of over 10 year of expertise in the distribution of electronic components. Based in Hongkong, we have already established firm and mutual-benefit business relationships with customers from,Europe,America and south Asia,supplying obsolete and hard-to-find components to meet their specific needs.

With the principle of "Quality Parts,Customers Priority,Honest Operation,and Considerate Service",our business mainly focus on the distribution of electronic components. Line cards we deal with include Microchip,ALPS,ROHM,Xilinx,Pulse,ON,Everlight and Freescale. Main products comprise IC,Modules,Potentiometer,IC Socket,Relay,Connector.Our parts cover such applications as commercial,industrial, and automotives areas.

We are looking forward to setting up business relationship with you and hope to provide you with the best service and solution. Let us make a better world for our industry!



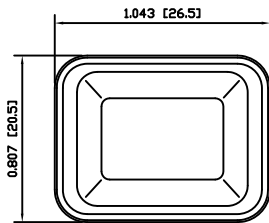
Contact us

Tel: +86-755-8981 8866 Fax: +86-755-8427 6832

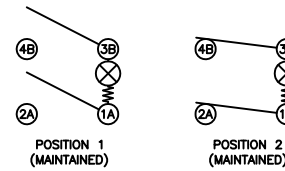
Email & Skype: info@chipsmall.com Web: www.chipsmall.com

Address: A1208, Overseas Decoration Building, #122 Zhenhua RD., Futian, Shenzhen, China





SCHMATIC



SPECIFICATIONS

FUNCTION:
2P1T OFF-ON

RATINGS:
ANSI/UL 1054 and CAN/CSA C22.2 No. 55 (E194579):
16A 125VAC [cURus]
16A 250VAC [cURus]

CAN/CSA C22.2 No. 55 (233821):
16A 125VAC [CSA]
16A 250VAC [CSA]

DIN 61058-1/VDE 0630-1:2008-09 and EN 61058-1:2002+A2:2008 (40011301):
16(4)A 250~ 1E4 T125/55 [VDE]

ILLUMINATION VOLTAGE:
125V

CONTACT RESISTANCE:
Initial: 20mΩ Max.

INSULATION RESISTANCE:
100MΩ Min. at 500VDC

DIELECTRIC STRENGTH:
1,000VAC For 1 Minute

ELECTRICAL LIFE:
6,000 Cycles [cURus, CSA]
10,000 Cycles [VDE]

TEMPERATURE:
Operating: -20°C to 65°C [cURus, CSA]
Operating: -20°C to 125°C [VDE]

APPROVALS:



COLORS AND MARKINGS

BODY:
Black

RUBBER BODY:
Black

ACTUATOR:
Transparent Red

MARKINGS:
None

MARKING COLOR:
None

MATERIALS

UPPER BODY:
Polyamide 6/6 (PA66), UL94 V-2

LOWER BODY:
Polybutylene Terephthalate (PBT), UL94 V-2

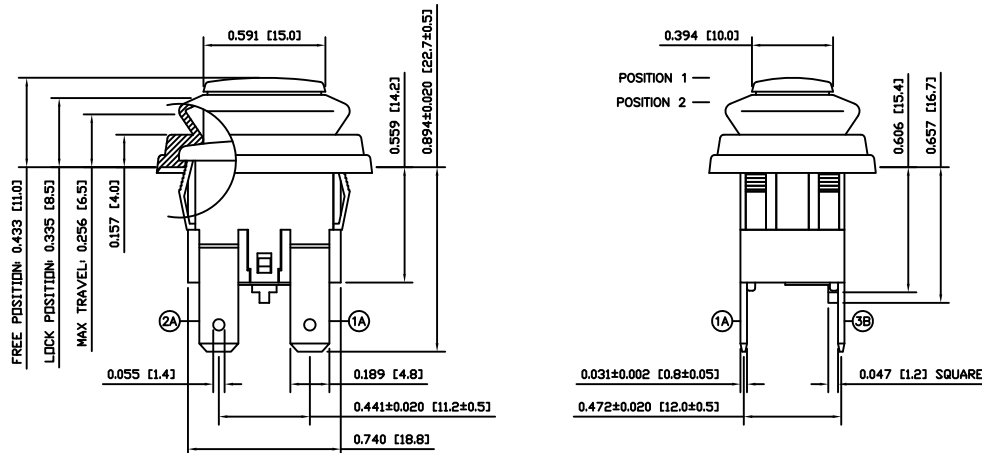
RUBBER BODY:
Rubber

ACTUATOR:
Polycarbonate (PC), UL94 V-2

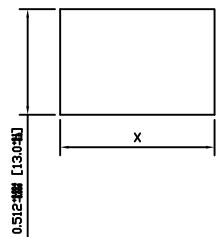
LAMP:
Neon Bulb

CONTACTS:
Silver Alloy

TERMINALS:
Silver Plated Copper



SUGGESTED PANEL CUTOUT



PANEL THICKNESS	X
0.020~0.050 [0.50~1.20]	0.748 [19.0]
0.050~0.080 [1.20~2.00]	0.760 [19.3]
0.080~0.120 [2.00~3.00]	0.772 [19.6]

BODY	A	09/07/16	CAB
COLORS	A	09/07/20	CAB
MATERIALS	A	09/07/20	CAB
SPECIFICATIONS	A	09/07/20	CAB
REFERENCE	REV.	DATE	BY

THE INFORMATION CONTAINED IN THIS DOCUMENT IS PROPRIETARY TO E-SWITCH AND IS NOT TO BE COPIED OR TRANSFERRED

B	CORRECTED DRAWING TITLE AND DRAWING NUMBER	PCRD0137	09/09/20	CAB
A	INITIAL RELEASE	PCRD0051	09/08/05	CAB
REV.	DESCRIPTION	PCR	DATE	DRAWN BY

DIMENSIONS	
INCHES [MILLIMETERS]	
GENERAL TOLERANCES	
±0.008 [±0.2] / ±1'	
SCALE	PROJECTION
DRAWING NOT TO SCALE	1st Angle

PA4R12C1000-116

DRAWING NUMBER 14-PA4R12C1000116	DATE SEPTEMBER 29, 2009	REVISION B
-------------------------------------	----------------------------	---------------