



Chipsmall Limited consists of a professional team with an average of over 10 year of expertise in the distribution of electronic components. Based in Hongkong, we have already established firm and mutual-benefit business relationships with customers from,Europe,America and south Asia,supplying obsolete and hard-to-find components to meet their specific needs.

With the principle of “Quality Parts,Customers Priority,Honest Operation,and Considerate Service”,our business mainly focus on the distribution of electronic components. Line cards we deal with include Microchip,ALPS,ROHM,Xilinx,Pulse,ON,Everlight and Freescale. Main products comprise IC,Modules,Potentiometer,IC Socket,Relay,Connector.Our parts cover such applications as commercial,industrial, and automotives areas.

We are looking forward to setting up business relationship with you and hope to provide you with the best service and solution. Let us make a better world for our industry!



## Contact us

Tel: +86-755-8981 8866 Fax: +86-755-8427 6832

Email & Skype: info@chipsmall.com Web: www.chipsmall.com

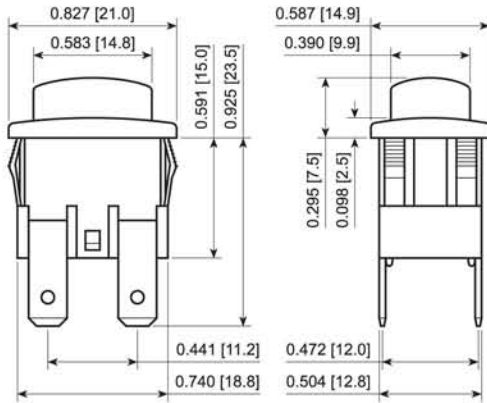
Address: A1208, Overseas Decoration Building, #122 Zhenhua RD., Futian, Shenzhen, China



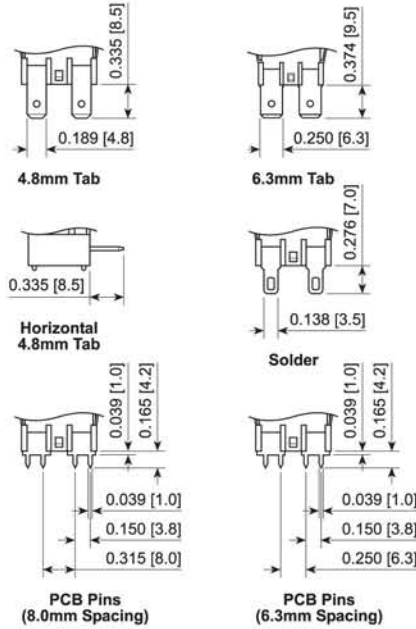
# PA4 Series



RoHS



## Terminal Options



## FEATURES:

- Durable, Robust and Economical
- Popular 13mm x 19mm Cutout
- High Power Ratings
- Standard and Water-resistant Versions
- Illuminated Versions

## SPECIFICATIONS:

**RATING:** RATING OPTION C:  
16A 125/250VAC [UR, cUR]  
16(4)A 250V~ 1E4 T125/55 [ENEC]

RATING OPTION J:  
16A 125/250VAC [UR, cUR]  
16(8)A 250V~ 1E4 T125/55 [ENEC]

**TEMPERATURE:** -20°C to 65°C [UR, cUR]  
-20°C to 125°C [ENEC]

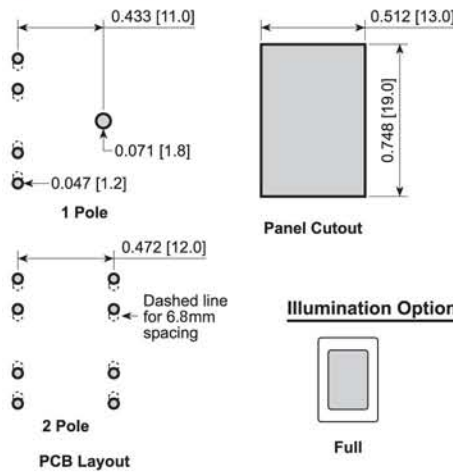
**ELECTRICAL LIFE:** 10,000 Cycles

**CONTACT RESISTANCE:** 20mΩ Min. at 1A 5VDC

**INSULATION RESISTANCE:** 100MΩ Min. at 500VDC

**DIELECTRIC STRENGTH:** 1,000VAC for 1 Minute

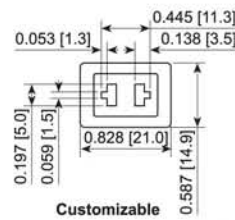
## Mounting Options



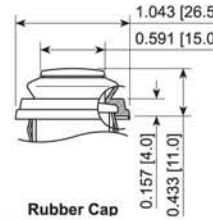
## Illumination Options



## Actuator Options



## Water Protection Options



## MATERIALS:

**UPPER BODY:** Polyamide 6/6, UL94 V-2

**LOWER BODY:** PBT, UL94 V-2

**ACTUATOR:** Polyamide 6/6, UL94 V-2  
Polycarbonate, UL94 V-2

**CONTACTS:** Silver Alloy

**TERMINALS:** Silver Plated Copper



PA421C4000-124



PA431C1700



PA4R11C1000-116

PA411C1100

PA411C1900

SPECIFICATIONS SUBJECT TO CHANGE WITHOUT NOTICE

Series	Terminal	Function	Rating	Body Color	Actuator Color	Marking Color	Marking Type	Lens Style	Lens Color	Lamp Voltage
PA4 - Std. Version	1 - 4.8mm Tab	1 Pole:	C - 16A 125/250VAC [UL, CSA]	1 - Black	0 - Full Illum.	0 - None	0 - None	1 - Full	0 - Clear	3 - 6V
PA4R - Rubber Cap	2 - Solder	1 - Off-On	[UL, CSA]	2 - White	1 - Black	1 - Black	1 - Power Symbol Vert.	1 - Red	1 - Red	4 - 12V
PA4C - Customizable	3 - PCB Pins (8.0mm)	4 - Off-(On)	16(4)A 250V~ [ENEC]	4 - Grey	2 - White	2 - White	2 - Power Symbol Horz.	2 - Amber	2 - Amber	5 - 24V
	4 - PCB Pins (6.8mm)	2 Pole:	J - 16A 125/250VAC [UL, CSA]	5 - Orange	4 - Grey	8 - Red	3 - Reset Symbol Vert.	3 - Green	3 - Green	6 - 125V
	5 - Horizontal 4.8mm Tabs	2 - Off-On	[UL, CSA]	7 - Blue	5 - Orange		4 - Reset Symbol Horz.	4 - Blue	4 - Blue	7 - 250V
	6 - 6.3mm Tab	E - Off-(On)	16(8)A 250V~ [ENEC]	8 - Green	7 - Blue		5 - POWER Vert.	5 - Yellow	5 - Yellow	
				9 - Red	8 - Green		6 - POWER Horz.			
					9 - Red		7 - RESET Vert.			
							8 - RESET Horz.			

Custom Colors and Markings Available Upon Request For Illuminated Switches Only

## EXAMPLE PART NUMBERS:

PA411C1100 1P Off-On  
Black Body/Actuator, 4.8mm Tab

PA414C1100 1P Off-(On)  
Black Body/Actuator, 4.8mm Tab

PA412C1100-116 2P Off-On  
Black Body, Red Actuator, 125V, 4.8mm Tab

PA421C1100 1P Off-On  
Black Body/Actuator, Solder Tab



E-SWITCH®

www.e-switch.com

800.867.2717

PUSHBUTTON