



Chipsmall Limited consists of a professional team with an average of over 10 year of expertise in the distribution of electronic components. Based in Hongkong, we have already established firm and mutual-benefit business relationships with customers from,Europe,America and south Asia,supplying obsolete and hard-to-find components to meet their specific needs.

With the principle of “Quality Parts,Customers Priority,Honest Operation,and Considerate Service”,our business mainly focus on the distribution of electronic components. Line cards we deal with include Microchip,ALPS,ROHM,Xilinx,Pulse,ON,Everlight and Freescale. Main products comprise IC,Modules,Potentiometer,IC Socket,Relay,Connector.Our parts cover such applications as commercial,industrial, and automotives areas.

We are looking forward to setting up business relationship with you and hope to provide you with the best service and solution. Let us make a better world for our industry!



Contact us

Tel: +86-755-8981 8866 Fax: +86-755-8427 6832

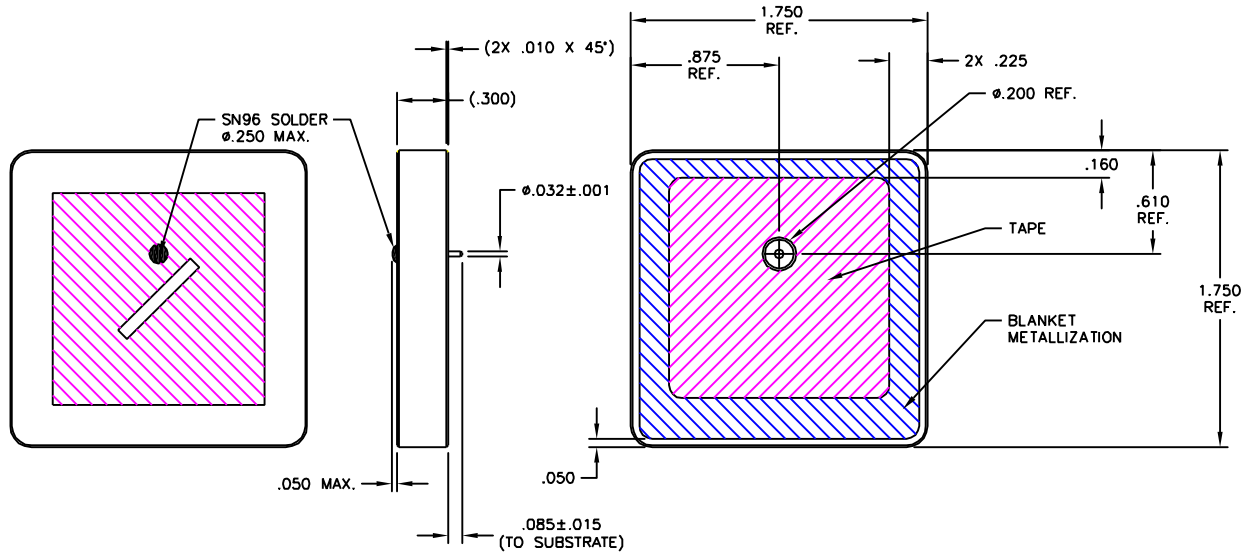
Email & Skype: info@chipsmall.com Web: www.chipsmall.com

Address: A1208, Overseas Decoration Building, #122 Zhenhua RD., Futian, Shenzhen, China




NOTES:

1. ELECTRICAL SPECIFICATIONS:
 CENTER FREQUENCY: 1592 MHz
 FREQUENCY TOLERANCE: ± 10 MHz
 3:1 VSWR B.W. = 175 MHz
 MIN GAIN @ C.F. = 4 dBic
 HALF POWER BEAMWIDTH:
 110° SOLID ANGLE
 EFFICIENCY: 60% TYPICAL
 VSWR @ C.F. = $\leq 1.8:1$
 AXIAL RATIO: 6 dB
 RIGHT HAND CIRCULAR POLARIZATION
 $Z_{IN} = 50$ OHMS
2. SPECIFICATIONS ARE FOR UNPACKAGED ANTENNA.
3. FOOTPRINT AND ELECTRICAL SPECIFICATIONS ARE SUBJECT TO CHANGE. CONSULT SPECTRUM MICROWAVE FOR SPECIFIC APPLICATIONS.
4. TESTING TO BE PERFORMED ON AN ALUMINUM GROUND PLANE, 63mm (2.480 IN) X 63mm (2.480 IN) SQUARE, IN FREE SPACE.



All technical information and the design disclosure in this drawing or in any accompanying technical data was originated by and is the property of Spectrum Microwave, Inc. All patents, proprietary design, manufacturing, reproduction, use and sales rights in any information disclosed herein are reserved by Spectrum Control, Inc. No right or license to use any such information for any purpose other than as agreed to by Spectrum Control, Inc. is prohibited without written permission of Spectrum Control, Inc.



										00	REV. NO.	UNLESS OTHERWISE SPECIFIED DIMENSIONS ARE IN INCHES. DO NOT SCALE.	TOLERANCES UNLESS OTHERWISE SPECIFIED Fractions $\pm 1/64$ Dec. .xx \pm .02 Dec. .xxx \pm .005 Angles $\pm 0^{\circ} 30'$	 SPECTRUM CONTROL INC.	FAIRVIEW PENNSYLVANIA	
										CN 33012-CPD	CHANGE NOTICE				Dwn. KAUFFMAN DATE 2-01-07 Engr. C.KIRETA Sheet 1 of 1	Description PATCH ANTENNA ASSEMBLY
											© THIRD ANGLE	CODE IDENT. NO. OLSP2				

Quality Products From The Specialists In Electro-Magnetic Compatibility