



Chipsmall Limited consists of a professional team with an average of over 10 year of expertise in the distribution of electronic components. Based in Hongkong, we have already established firm and mutual-benefit business relationships with customers from,Europe,America and south Asia,supplying obsolete and hard-to-find components to meet their specific needs.

With the principle of “Quality Parts,Customers Priority,Honest Operation,and Considerate Service”,our business mainly focus on the distribution of electronic components. Line cards we deal with include Microchip,ALPS,ROHM,Xilinx,Pulse,ON,Everlight and Freescale. Main products comprise IC,Modules,Potentiometer,IC Socket,Relay,Connector.Our parts cover such applications as commercial,industrial, and automotives areas.

We are looking forward to setting up business relationship with you and hope to provide you with the best service and solution. Let us make a better world for our industry!



Contact us

Tel: +86-755-8981 8866 Fax: +86-755-8427 6832

Email & Skype: info@chipsmall.com Web: www.chipsmall.com

Address: A1208, Overseas Decoration Building, #122 Zhenhua RD., Futian, Shenzhen, China



NOTES:

1. ELECTRICAL SPECIFICATIONS:

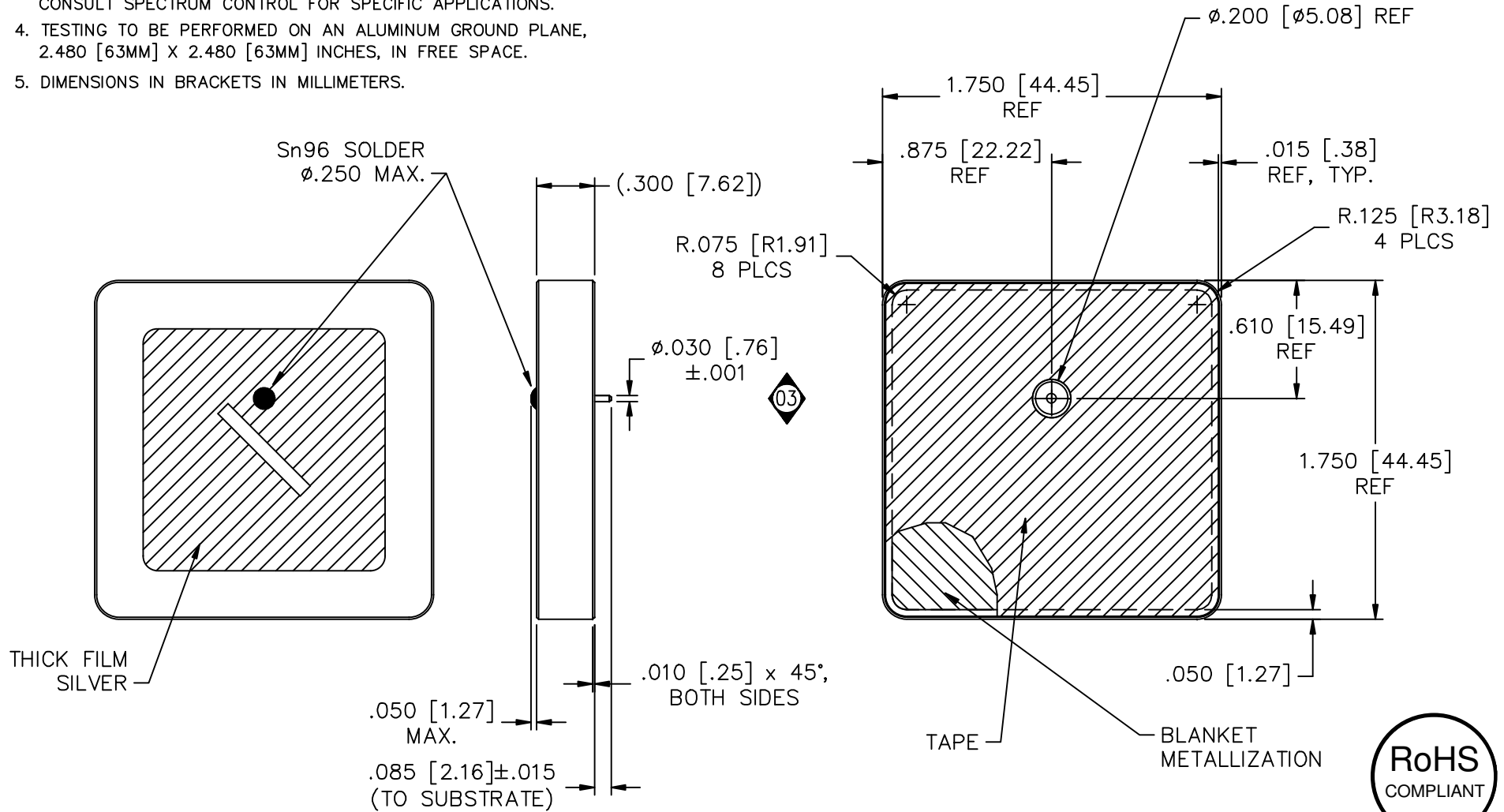
LEFT HAND CIRCULAR POLARIZATION
VSWR = 2:1, BW = 135 MHz
AXIAL RATIO = 6dB MAX. @ 1615 MHz


2. SPECIFICATIONS ARE FOR UNPACKAGED ANTENNA.

3. FOOTPRINT AND ELECTRICAL SPECIFICATIONS ARE SUBJECT TO CHANGE.
CONSULT SPECTRUM CONTROL FOR SPECIFIC APPLICATIONS.

4. TESTING TO BE PERFORMED ON AN ALUMINUM GROUND PLANE,
2.480 [63MM] X 2.480 [63MM] INCHES, IN FREE SPACE.

5. DIMENSIONS IN BRACKETS IN MILLIMETERS.



CN 36800-ENG 03	CN 36611-ENG 02	CN 34617-CPD 01	REDRAWN	CN 31530-CPD 00	REV. NO.	UNLESS OTHERWISE SPECIFIED DIMENSIONS ARE IN INCHES (MM) DO NOT SCALE.	TOLERANCES UNLESS OTHERWISE SPECIFIED Fractions ± 1/64 Dec .XX±01(0.3) Dec .XXX±005(0.13) Angles ±0° 30'	 SPECTRUM CONTROL INC. Dwn. KAUFFMAN Date 8-17-07 Eng. C. KIRETA Sheet 1 of 1	FAIRVIEW PENNSYLVANIA	
CHANGE NOTICE							CODE IDENT. NO. OLSP2		Description	PATCH ANTENNA
							THIRD ANGLE PROJECTION		PA451615-1575SA	