



Chipsmall Limited consists of a professional team with an average of over 10 year of expertise in the distribution of electronic components. Based in Hongkong, we have already established firm and mutual-benefit business relationships with customers from,Europe,America and south Asia,supplying obsolete and hard-to-find components to meet their specific needs.

With the principle of “Quality Parts,Customers Priority,Honest Operation,and Considerate Service”,our business mainly focus on the distribution of electronic components. Line cards we deal with include Microchip,ALPS,ROHM,Xilinx,Pulse,ON,Everlight and Freescale. Main products comprise IC,Modules,Potentiometer,IC Socket,Relay,Connector.Our parts cover such applications as commercial,industrial, and automotives areas.

We are looking forward to setting up business relationship with you and hope to provide you with the best service and solution. Let us make a better world for our industry!



Contact us

Tel: +86-755-8981 8866 Fax: +86-755-8427 6832

Email & Skype: info@chipsmall.com Web: www.chipsmall.com

Address: A1208, Overseas Decoration Building, #122 Zhenhua RD., Futian, Shenzhen, China



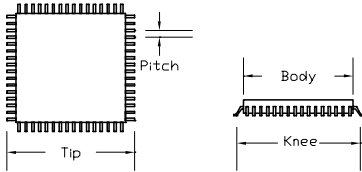
PA48QD-806 Data Sheet

48 pin QFP socket/48 pin DIP 0.6" plug

Supported Device/Footprints

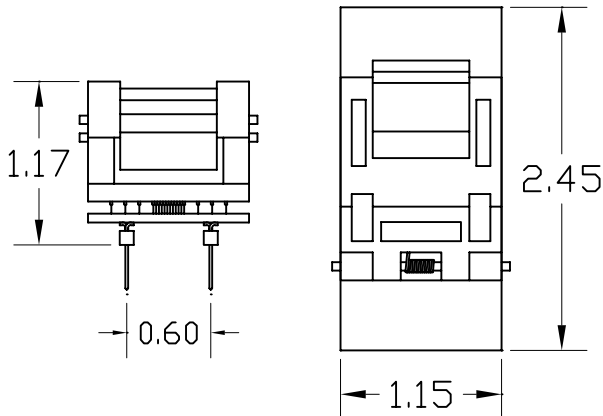
This is a generic package adapter. It takes a QFP and wires all pins to a DIP plug.

The QFP socket accepts packages with the dimension sets listed below:



Socket	Body	Knee	Tip	Pitch
48QJ-806	7.0 mm typ	6 mm typ 7.8 mm max	9 mm typ	0.5 mm

Adapter Dimensions



PA48QD-806

Adapter Construction

The adapter is made up of 2 sub-assemblies. They assemble via connectors making the adapter modular. This way the sub-assemblies can be replaced when they wear out.

When disassembling the adapter take care not to bend the pins. When reassembling the adapter note the pin 1 indicators to align the parts correctly.

Adapter	Test Socket	Circuit Board
PA48QD-806	48QJ-806	48QD-806

Test Socket

LSC Socket	Style	Mfgr/Pn
48QJ-806	Lidded ZIF	Yamaichi IC51-0484-806

Adapter Wiring

The adapter is wired 1-1. Pin 1 of the QFP device connects to pin 1 of the DIP plug, pin 2 to pin 2, and so on around the adapter.