



Chipsmall Limited consists of a professional team with an average of over 10 year of expertise in the distribution of electronic components. Based in Hongkong, we have already established firm and mutual-benefit business relationships with customers from,Europe,America and south Asia,supplying obsolete and hard-to-find components to meet their specific needs.

With the principle of "Quality Parts,Customers Priority,Honest Operation,and Considerate Service",our business mainly focus on the distribution of electronic components. Line cards we deal with include Microchip,ALPS,ROHM,Xilinx,Pulse,ON,Everlight and Freescale. Main products comprise IC,Modules,Potentiometer,IC Socket,Relay,Connector.Our parts cover such applications as commercial,industrial, and automotives areas.

We are looking forward to setting up business relationship with you and hope to provide you with the best service and solution. Let us make a better world for our industry!



Contact us

Tel: +86-755-8981 8866 Fax: +86-755-8427 6832

Email & Skype: info@chipsmall.com Web: www.chipsmall.com

Address: A1208, Overseas Decoration Building, #122 Zhenhua RD., Futian, Shenzhen, China



50W to 200W 48V Input Half brick DC-DC Converters

Features

- ◆ Industry Standard Footprint & Pinouts
- ◆ 12V output for driving non-isolated converters
- ◆ Safety Approved
- ◆ Full power at 100°C baseplate
- ◆ Wide Adjustable Output Range
- ◆ Zero Pre-load
- ◆ ASIC Design
- ◆ No potting materials



Key Market Segments & Applications



Specifications		2.5V	3.3V	5V	12V	15V	24V	28V	48V
Efficiency (Typ)	%	75-76	79-80	83-84	85-86		86-88		88
Input Voltage range	VDC	36-76							
Output Voltage Accuracy	%	±1.6							
Max Ripple & Noise	mV	150		200		280		250	
Max Line Regulation	mV	10		24	30	48	56	96	
Max Load Regulation	mV	10		24	30	48	56	96	
Overcurrent Protection	A	105 - 150% automatic recovery							
Overvoltage Protection (1)	%	120-160	120-140	125-145				135-155	
Remote Sense	-	Yes							
Remote On/Off	-	Standard; Low = ON, Open = OFF /P option; Low = OFF, Open = ON)							
Operating Temperature	-	-40°C to +100°C baseplate							
Overtemperature	-	Shutdown between 105 - 130°C, Auto restart							
Cooling	-	Conduction (See Installation Manual for heatsink selection)							
Isolation Voltage	V	Input - Baseplate 1500VAC, Input - Output 1500VAC, Output-Baseplate 500VDC							
Shock	-	196.1m/s ²							
Vibration	-	Non Operating, 10-55Hz (sweep for 1 min.)							
Amplitude	-	0.825mm constant (Max 49 m/s ²) X,Y,Z 1 hour each							
Safety Agency Approvals	-	UL60950-1, CSA60950-1, EN60950-1, CE LVD							
Weight (Typ)	g	80							
Size (WxHxD)	in(mm)	2.28x0.5x2.4 (57.9x12.7x61) See outline drawing							
Warranty	-	2 Years							

(1) See options table.

General: See Installation Manual for full details, test methods of parameters and application notes

Model Selector

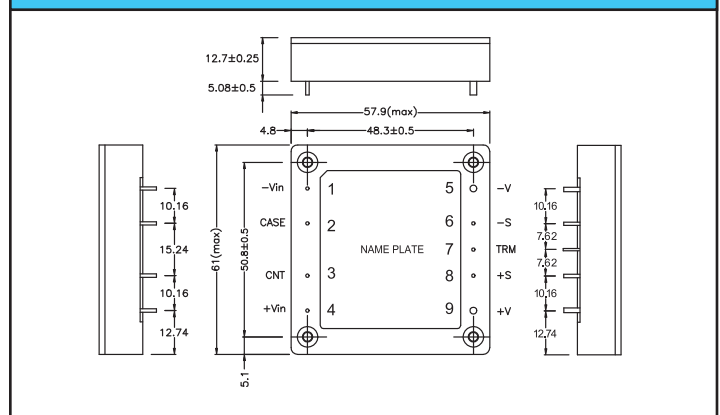
Model Name	Output Voltage	Adjustment	Output Current	Maximum Power
PAH50S48-2.5	2.5	2.25 - 2.75	11.70	29.3
PAH75S48-2.5	2.5	2.25 - 2.75	17.50	43.8
PAH100S48-2.5	2.5	2.25 - 2.75	23.40	58.5
PAH150S48-2.5	2.5	2.25 - 2.75	35.00	87.5
PAH50S48-3.3	3.3	2.97 - 3.63	11.70	38.6
PAH75S48-3.3	3.3	2.97 - 3.63	17.50	57.8
PAH100S48-3.3	3.3	2.97 - 3.63	23.40	77.2
PAH150S48-3.3	3.3	2.97 - 3.63	35.00	115.5
PAH50S48-5	5.0	3.0 - 5.75	10.00	50.0
PAH75S48-5	5.0	3.0 - 5.75	15.00	75.0
PAH100S48-5	5.0	3.0 - 5.75	20.00	100.0
PAH150S48-5	5.0	3.0 - 5.75	30.00	150.0
PAH50S48-12	12.0	7.2 - 13.2	4.20	50.4
PAH75S48-12	12.0	7.2 - 13.2	6.30	75.6
PAH100S48-12	12.0	7.2 - 13.2	8.40	100.8
PAH150S48-12	12.0	7.2 - 13.2	12.50	150.0
PAH200S48-12	12.0	7.2 - 13.2	16.70	200.4
PAH50S48-15	15.0	9.0 - 16.5	3.40	51.0
PAH75S48-15	15.0	9.0 - 16.5	5.00	75.0
PAH100S48-15	15.0	9.0 - 16.5	6.70	100.5
PAH150S48-15	15.0	9.0 - 16.5	10.00	150.0
PAH200S48-15	15.0	9.0 - 16.5	13.40	201.0
PAH50S48-24	24.0	14.4 - 26.4	2.10	50.4
PAH75S48-24	24.0	14.4 - 26.4	3.20	76.8
PAH100S48-24	24.0	14.4 - 26.4	4.20	100.8
PAH150S48-24	24.0	14.4 - 26.4	6.30	151.2
PAH200S48-24	24.0	14.4 - 26.4	8.40	201.6
PAH50S48-28	28.0	16.8 - 30.8	1.80	50.4
PAH75S48-28	28.0	16.8 - 30.8	2.70	75.6
PAH100S48-28	28.0	16.8 - 30.8	3.60	100.8
PAH150S48-28	28.0	16.8 - 30.8	5.40	151.2
PAH200S48-28	28.0	16.8 - 30.8	7.20	201.6
PAH150S48-48	48.0	38.4 - 57.6	3.20	153.6

Options

Suffix	ON/OFF	
	Control	Oversvoltage
-	Negative	Manual Reset
/P	Positive	Manual Reset
/V*	Negative	Auto Reset
/PV	Positive	Auto Reset

* Standard US Stock Item.

Outline Drawing



Pinout

Pin Description	Function
-Vin	Negative Input Terminal
+Vin	Positive Input Terminal
Case	Baseplate Terminal
CNT	On / Off Control terminal
+V	Positive Output Terminal
-V	Negative Output Terminal
TRIM	Output adjustment Trim pin
+S	Positive Remote sense
-S	Negative Remote sense

Other DC-DC Products

PAF	400-700W Full Brick DC-DC
PAH75D	Dual output Half Bricks
PAH200H	High Efficiency Half Brick
PAQ	Quarter brick DC-DC
CC-E	1.5 to 30W, 5-48V Input DC-DC
PX	10-60W, 12-48VDC Input DC-DC converters

For Additional Information, please visit
us.tdk-lambda.com/lp/products/pah-series.htm

