



Chipsmall Limited consists of a professional team with an average of over 10 year of expertise in the distribution of electronic components. Based in Hongkong, we have already established firm and mutual-benefit business relationships with customers from,Europe,America and south Asia,supplying obsolete and hard-to-find components to meet their specific needs.

With the principle of “Quality Parts,Customers Priority,Honest Operation,and Considerate Service”,our business mainly focus on the distribution of electronic components. Line cards we deal with include Microchip,ALPS,ROHM,Xilinx,Pulse,ON,Everlight and Freescale. Main products comprise IC,Modules,Potentiometer,IC Socket,Relay,Connector.Our parts cover such applications as commercial,industrial, and automotives areas.

We are looking forward to setting up business relationship with you and hope to provide you with the best service and solution. Let us make a better world for our industry!



Contact us

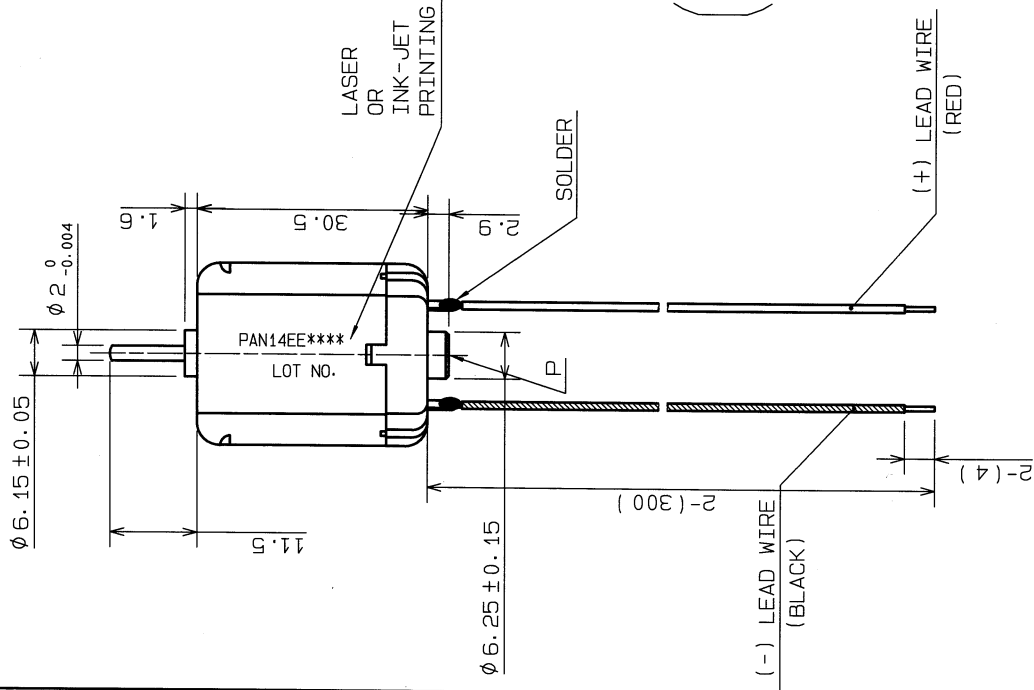
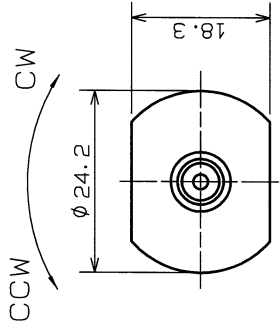
Tel: +86-755-8981 8866 Fax: +86-755-8427 6832

Email & Skype: info@chipsmall.com Web: www.chipsmall.com

Address: A1208, Overseas Decoration Building, #122 Zhenhua RD., Futian, Shenzhen, China



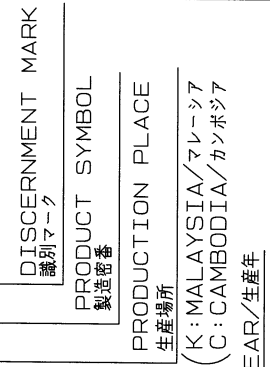
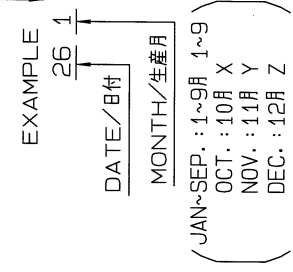
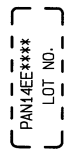
General Dimension Tolerance (±)			
ASSEMBLY	Assembly		Dimension of A
	Up to	Over	Angle
6	Over 6 to 30	Over 120 to 300	Up to 10 to 50
0.3	0.5	0.7	5°
		1.2	3°
		2.0	1.5°
			45°
ASYM NO.	DATE	REVISION	SIGNED
			CHECKED



NOTE / 注記 :

- CONNECTION AS PER DRAWING, MOTOR ROTATION VIEW FROM SHAFT SIDE=CCW. / 回転方向は極表示通り接続した場合、出力側から見てCW方向とする。
- SHAFT LENGTH IS MEASURED EXCLUDING THE END-PLAY. / 出力軸寸法は、エンドプレーを含まない寸法とする。
- PULLEY INSERTING FORCE IN ARROW DIRECTION MUST BE LESS THAN 147N WITH SUPPORT TO P. / 出力軸にプーリ等を圧入する際はP部を受け、圧入力は147N以下のこと。
- THE RUST WHICH IS NOT HARMFUL TO THE MOTOR OR ON THE EDGE ARE ACCEPTABLE. / モータ端子板端面：及び実用上問題ない範囲の錆は可とする。

5. PRINTING AS FOLLOW / 捺印方法



6. UNSPECIFIED TOLERANCE / 指定公差: ±0.3mm

参考

Scale	Minebea Co., Ltd.	
1 : 1	3rd Angle System	Unit:mm
Designed	Drawn	Checked
OTA	OTA	Checked
2016/01/26	2016/01/26	
Model	PAN14	
Name	OUTSIDE DRAWING	
No.	MO-YDC2616A	