



Chipsmall Limited consists of a professional team with an average of over 10 year of expertise in the distribution of electronic components. Based in Hongkong, we have already established firm and mutual-benefit business relationships with customers from,Europe,America and south Asia,supplying obsolete and hard-to-find components to meet their specific needs.

With the principle of "Quality Parts,Customers Priority,Honest Operation,and Considerate Service",our business mainly focus on the distribution of electronic components. Line cards we deal with include Microchip,ALPS,ROHM,Xilinx,Pulse,ON,Everlight and Freescale. Main products comprise IC,Modules,Potentiometer,IC Socket,Relay,Connector.Our parts cover such applications as commercial,industrial, and automotives areas.

We are looking forward to setting up business relationship with you and hope to provide you with the best service and solution. Let us make a better world for our industry!



Contact us

Tel: +86-755-8981 8866 Fax: +86-755-8427 6832

Email & Skype: info@chipsmall.com Web: www.chipsmall.com

Address: A1208, Overseas Decoration Building, #122 Zhenhua RD., Futian, Shenzhen, China





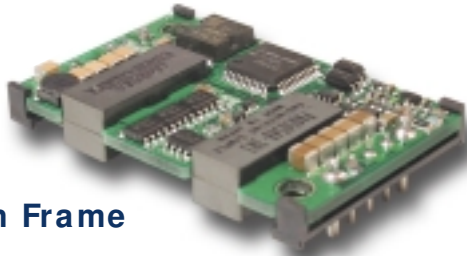
PAQ100 Series

Quarter Brick Power Supply Specifications

- ◆ Low Voltage Outputs (1.2-5.0V)
- ◆ High Power Density up to 90.4W/in³
- ◆ Industry Standard Footprint & Pinouts
- ◆ Safety Agency Approvals (UL1950, CSA22.2, CE, TUV)
- ◆ Constant Current Limit (Auto Restarting)
- ◆ Remote On / Off (Positive/Negative Logic Available)
- ◆ ASIC Design to Reduce Component Count

Key Market Segments & Applications	
Central Office:	ATM, Sonet, DSL, ISDN, Frame Relay, WDM
Broadband:	Switching Equipment, Routers
Wireless/Cellular:	Micro Cells (larger in size/10 sq. mi.) Pico Cells (smaller in size/1 to 2 sq. mi.)
Remote Electronics:	Fixed Local Loop, Fiber Optic Transmission, Microwave Transmission, Wireless Local Loop
Customer Premise:	PBX, PABX, Datacomm, Voice Systems, Video Conferencing
Industrial	ATE Test Equipment & Semi-Fab

Open Frame



Baseplate



PAQ Features and Benefits

Feature	Benefit
◆ Industry Standard footprint/ pinout	◆ Allows for multi-sourcing
◆ ASIC Design	◆ Reduces number of components
◆ Wide Range Operating Temperature (-40 to 100°C)	◆ Supports Harsh Wireless Operating Environment
◆ High Efficiency 89% at 3.3V (PAQ100)	◆ Reduce footprint area/Operation without heatsink

Specifications

MODEL		PAQ 100S48-1R2	PAQ 100S48-1R8	PAQ 100S48-2R5	PAQ 100S48-3R3	PAQ 100S48-5
ITEMS						
Nominal Output Voltage	V	1.2	1.8	2.5	3.3	5
Max Output Current	A	25	25	25	25	20
Max Output Power	W	30	45	62.5	82.5	100
Efficiency (Typ.)	(*1) %	80	84	86	89	90
Input Voltage Range	-	36 - 76VDC				
Input Current (Typ.)	(*1) A	0.8	1.14	1.55	1.98	2.37
Output Voltage Accuracy	(*1) %	± 1				
Output Voltage Range	(*4) -	-20%, + 10%			± 15%	
Max Ripple & Noise	(*4) mV	100	100	100	100	100
Max Line Regulation	(*2) mV	10	10	10	10	10
Max Load Regulation	(*3) mV	10	10	10	10	10
Over Current Protection	-	105% - 140% (Self-Recovering /V option)				
Over Voltage Protection	-	120% - 140% (Self-Recovering /V option)				
Remote ON/OFF Control	-	Low= On, Open= Off (/P option: Low= Off, Open= On)				
Operating Temperature	(*5) C	T _a = -40° - +85° (100°C /B Option)				
Cooling	(*5) -	Convection Cooled / Forced Air Cooled				
Isolation Voltage	-	Input-Output : 1.5kVDC for 1min				
Shock	-	196.1m/s ²				
Weight (Typ.)	g	50				
Vibration	-	Non Operating, 10-55Hz (Sweep for 1min.)				
	-	Amplitude 0.825mm Constant (Maximum 49.0m/s ²) X, Y, Z 1 hour each				
Size (W× H× D)	in	1.45" x .33" x 2.3"; .5" height (/B Option)				
Warranty	-	2 years				

Notes:

*1. At 48VDC, maximum output current, Air Velocity = 2m/s and T_a = +25°C.

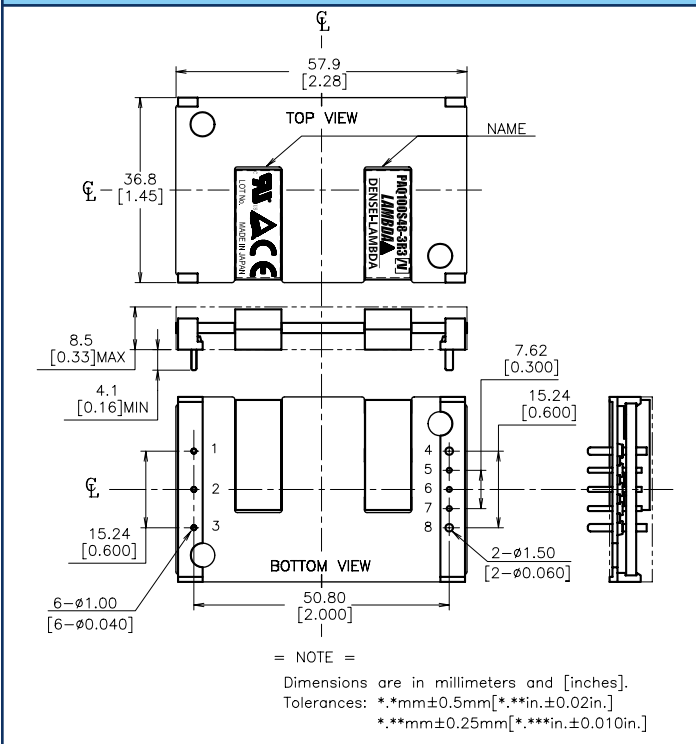
*2. 36 - 76VDC, constant load.

*3. No load - Full load, constant input voltage.

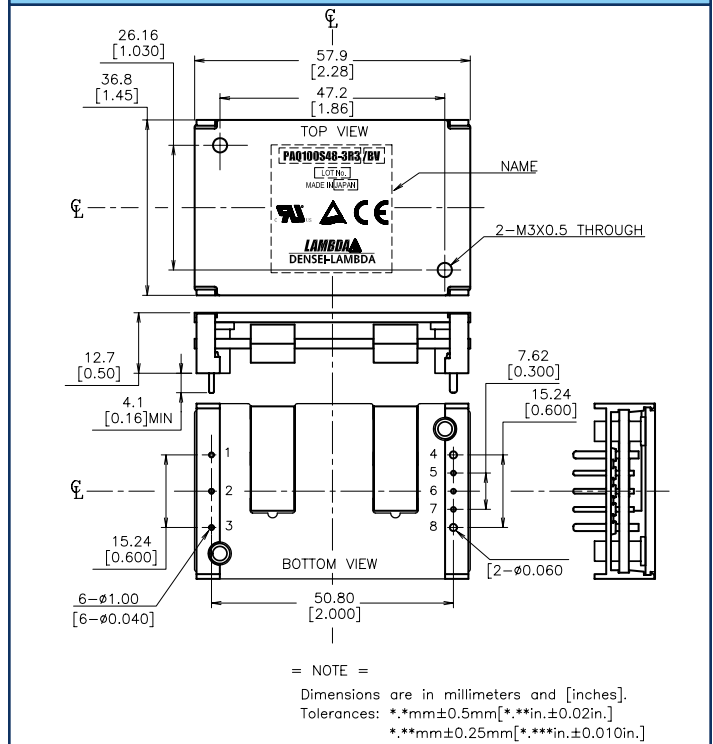
*4. External components are needed for operation.

*5. Refer to installation manual (website).

PAQ100 Openframe Drawing



PAQ100 Baseplate Drawing



PAQ Series Outputs

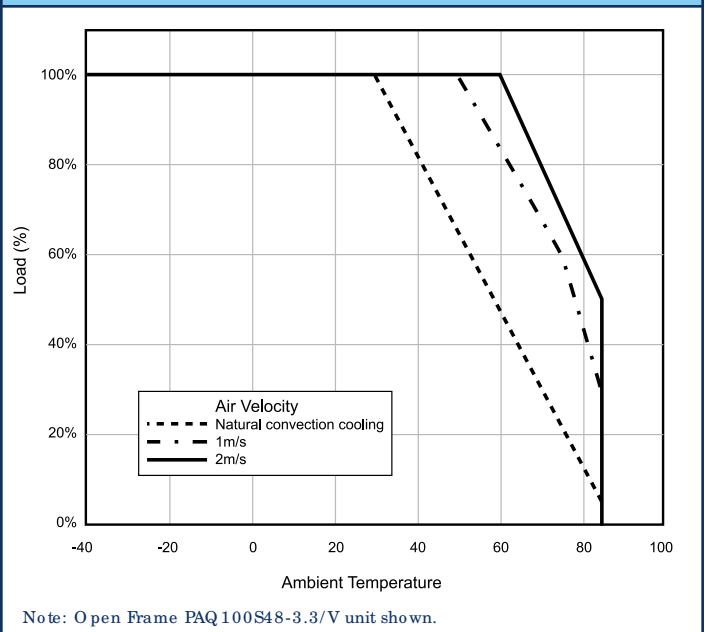
PIN#	Label	Function
1	-Vin	Negative Input Terminal
2	CNT	ON/OFF Control Terminal
3	+Vin	Positive Input Terminal
4	-V	Negative Output Terminal
5	-S	Negative Remote Sensing
6	TRM	Output Voltage Adjustment Terminal
7	+S	Positive Remote Sensing
8	+V	Positive Output Terminal

PAQ Series Options

Suffix	Description
Blank	Manual Reset after OVP or OCP condition
/V	Auto Reset after OVP or OCP condition
/P	Positive Logic Remote On/Off
/B	Baseplate version

/V, /PV, /BV, /BPV are Standard US stock items.

PAQ100 Derating Curve



For Additional Information, please visit www.lambdapower.com/products/paq-series.htm