



Chipsmall Limited consists of a professional team with an average of over 10 year of expertise in the distribution of electronic components. Based in Hongkong, we have already established firm and mutual-benefit business relationships with customers from,Europe,America and south Asia,supplying obsolete and hard-to-find components to meet their specific needs.

With the principle of “Quality Parts,Customers Priority,Honest Operation,and Considerate Service”,our business mainly focus on the distribution of electronic components. Line cards we deal with include Microchip,ALPS,ROHM,Xilinx,Pulse,ON,Everlight and Freescale. Main products comprise IC,Modules,Potentiometer,IC Socket,Relay,Connector.Our parts cover such applications as commercial,industrial, and automotives areas.

We are looking forward to setting up business relationship with you and hope to provide you with the best service and solution. Let us make a better world for our industry!



Contact us

Tel: +86-755-8981 8866 Fax: +86-755-8427 6832

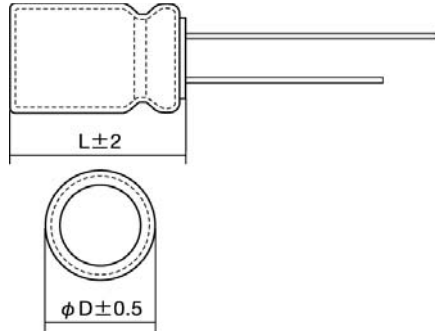
Email & Skype: info@chipsmall.com Web: www.chipsmall.com

Address: A1208, Overseas Decoration Building, #122 Zhenhua RD., Futian, Shenzhen, China



Cylinder Type Polyacene Capacitors

PAS0815LA2R3185



■ Features

- Item Summary
2.3V, 1.8F±20%, Less than 1.0Ω
- Lifecycle Stage
Mass Production
- Standard packaging quantity (minimum)
Bulk 200pcs

■ Products characteristics table

Temperature Range	-25 to +60°C
Maximum Usable Voltage	2.3V
Nominal Capacity	1.8F
Internal Resistance	1Ω
Initial Capacitance	1.8F±20%
Initial Internal Resistance	Less than 1.0Ω
RoHS Compliance	Yes
Soldering Method	Wave

2015.04.24

The data is reference only. Electrical characteristics vary depending on environment or measurement condition.
 TAIYO YUDEN reserves the right to make change to the Date at any time without notice.
 Before making final selection, please check product specification.