



Chipsmall Limited consists of a professional team with an average of over 10 year of expertise in the distribution of electronic components. Based in Hongkong, we have already established firm and mutual-benefit business relationships with customers from,Europe,America and south Asia,supplying obsolete and hard-to-find components to meet their specific needs.

With the principle of “Quality Parts,Customers Priority,Honest Operation,and Considerate Service”,our business mainly focus on the distribution of electronic components. Line cards we deal with include Microchip,ALPS,ROHM,Xilinx,Pulse,ON,Everlight and Freescale. Main products comprise IC,Modules,Potentiometer,IC Socket,Relay,Connector.Our parts cover such applications as commercial,industrial, and automotives areas.

We are looking forward to setting up business relationship with you and hope to provide you with the best service and solution. Let us make a better world for our industry!



## Contact us

Tel: +86-755-8981 8866 Fax: +86-755-8427 6832

Email & Skype: info@chipsmall.com Web: www.chipsmall.com

Address: A1208, Overseas Decoration Building, #122 Zhenhua RD., Futian, Shenzhen, China



### P L Y A C E N E C A P A C I T O R S

PAS(Polyacenic Semiconductor), which has been originally developed by Shoei Electronics is a kind of conductive polymers synthesized through pyrolytic treatment of phenolic resin. PAS capacitors, in which PAS is employed for both positive and negative electrodes, show extremely high performance.

## Features

### ● High capacity / High reliability

PAS can store a large number of ions into its amorphous structure (doping), therefore PAS capacitor has much larger capacity than conventional electric double layer capacitor. In addition, PAS is extremely stable material and PAS capacitor shows excellent performance of cycle life and durability to overcharge and overdischarge.

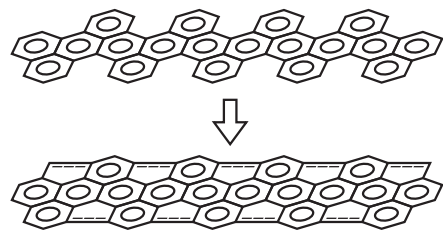
### ● RoHS / WEEE compliance

PAS capacitors are RoHS and WEEE compliant products and have no recycling and collection duty that is required in lithium ion battery's case.

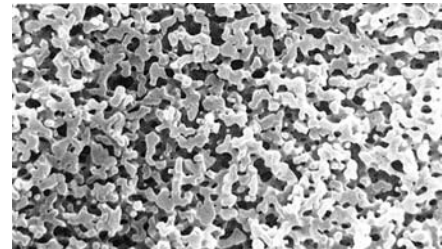
### ● The world's smallest capacitor

"PAS311 series" is the world's smallest coin shaped capacitors, which size is diameter 3.8mm × height 1.1mm. This smallest product was carried out by developing electrode materials, sealing technology and introducing special processed heat resistance gasket.

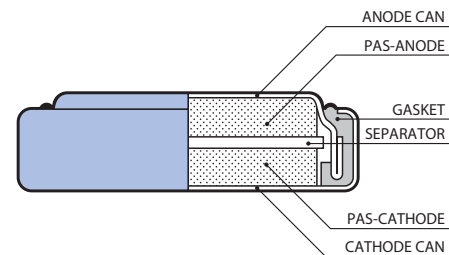
Molecular structure of PAS



SEM image of PAS



Coin type



## Line-up

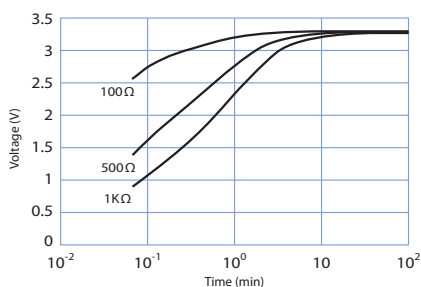
	Part Number	Max. usable voltage (V)	Capacitance (F)	Capacity * (μAh)	Cell diameter (mm)	Cell height (mm)
SR series	PAS311SR-VA6R	2.6	0.03	10	3.8	1.1
HR series	PAS311HR-VA6R	3.3	0.03	10	3.8	1.1
	PAS409HR-VE5R		0.03	12	4.8	0.9
	PAS414HR-VG1		0.06	20	4.8	1.4
	PAS414HR-VA5R					
	PAS414HR-VE5R					

\*SR series: Capacity is measured from 2.5V to 1.5V

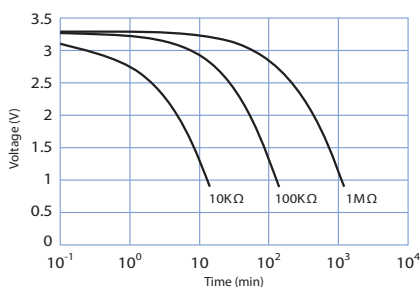
HR series: Capacity is measured from 3.3V to 2.0V (approximately doubled capacity can be obtained from 3.3V to 1.0V)

## Characteristics (Typical of PAS414HR)

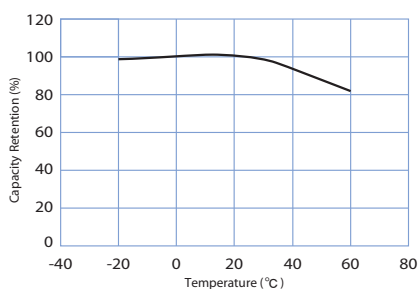
Charging characteristics (Constant R)



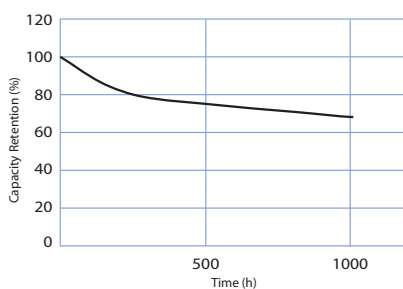
Discharging characteristics (Constant R)



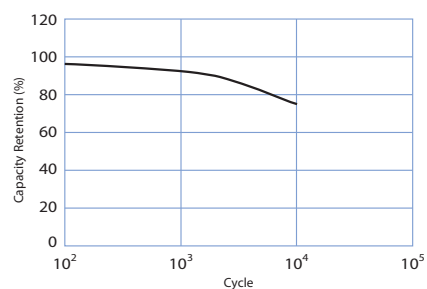
Temperature characteristics



High temperature load characteristics



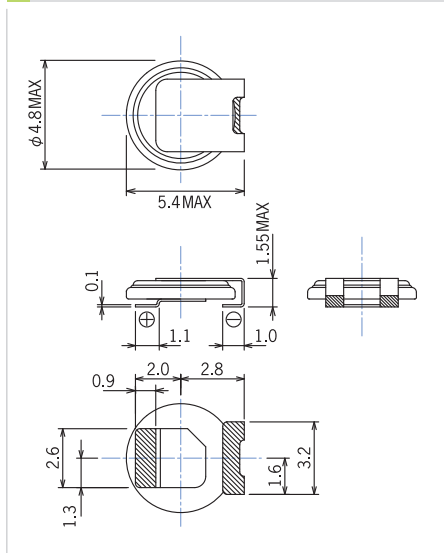
Cycle characteristics



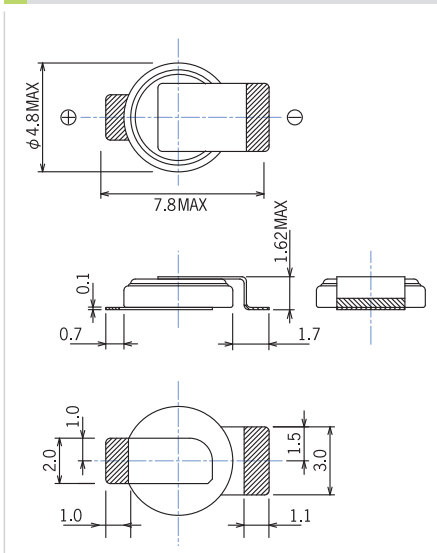
## Examples of terminal

Solder plating area  
(Measure: mm)

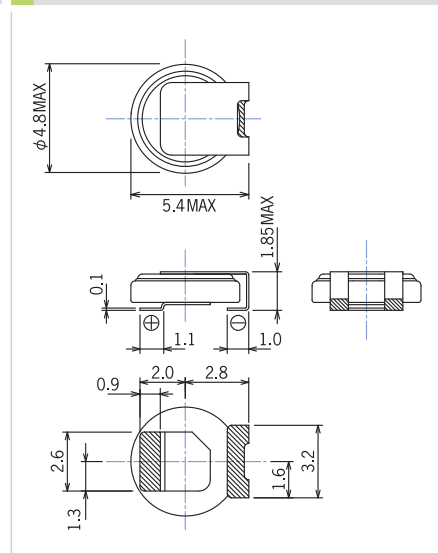
409-VE5R type



414-VA5R type



414-VE5R type



\*Contact us for other terminals.

## Shoei Electronics Co., Ltd. < A member of TAIYO YUDEN Co.,Ltd. >

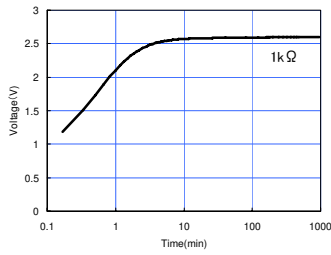
**Headquarters:**  
587-3 Sumiyoshi, Ueda-shi,  
Nagano, 386-0002 Japan

**Sales Office:**  
Kawaramachi KT Bldg. 7F  
3-3-7, Kawaramachi, Chuo-ku, Osaka, 541-0048 Japan  
TEL: +81-6-6231-3337 / FAX: +81-6-6231-3339

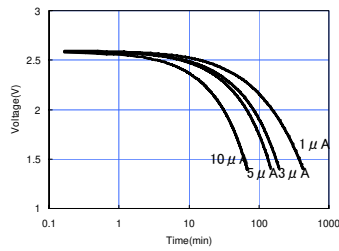
**URL:** <http://www.shoei-electro.com/>

**Characteristics (Typical of PAS311SR)**

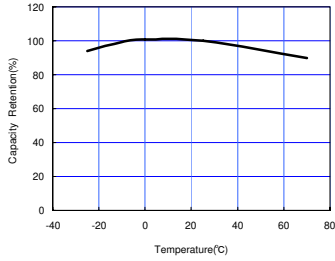
Charging characteristics (Constant R)



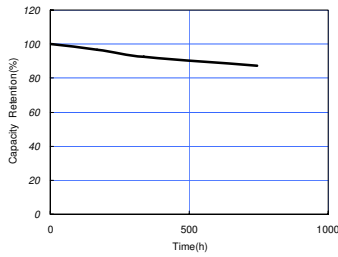
Discharge Characteristics (Constant Current)



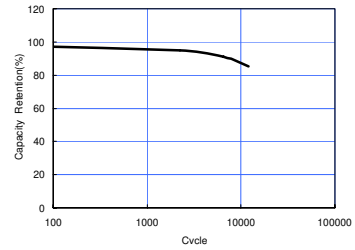
Temperature characteristics



High temperature load characteristics

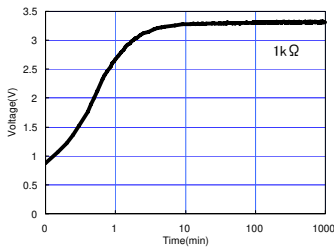


Cycle characteristics

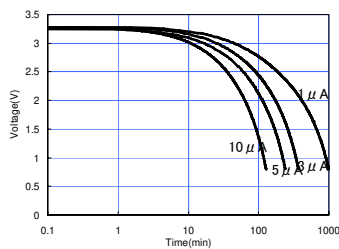


**Characteristics (Typical of PAS311HR)**

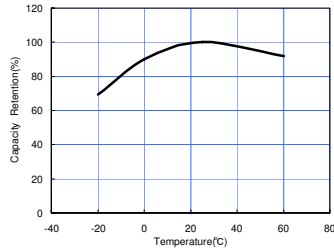
Charging characteristics (Constant R)



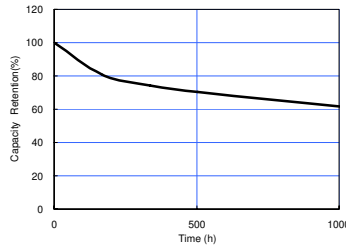
Discharge Characteristics (Constant Current)



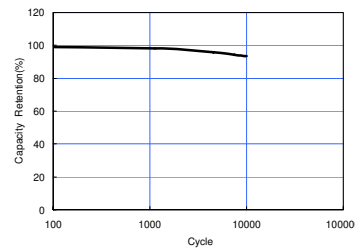
Temperature characteristics



High temperature load characteristics

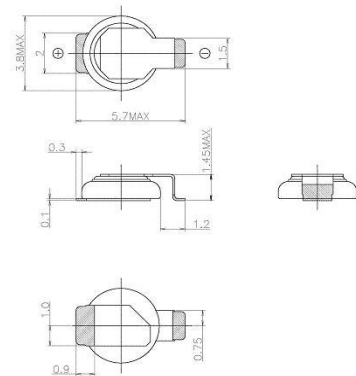


Cycle characteristics



**Examples of terminal**

311-VA6R type



Solder plating area (Measure:mm)

**Shoei Electronics Co.,Ltd.** <A member of TAIYO YUDEN Co.,Ltd.>

Headquarters: 587-3 Sumiyoshi, Ueda-shi, Nagano, 386-0002 Japan

Sales Office : Kawaramachi KT Bldg.7F, 3-3-7, Kawaramachi, Chuo-ku, Osaka, 541-0048 Japan TEL: +81-6-6231-3337 FAX: +81-6-6231-3339


URL : <http://www.shoei-electro.com/>

\*Improvements will result in specifications changing without notice. 2008.10

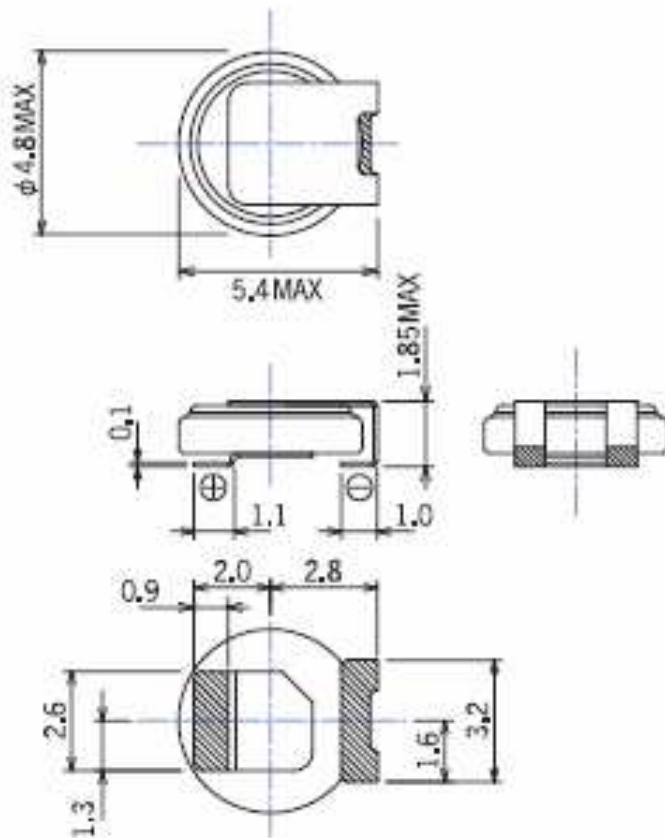
# PAS

## Examples of terminal

POLYACENE CAPACITORS

 Solder plating area  
(Measure: mm)

### 414-VE5R type



### 414-VG1 type

