



Chipsmall Limited consists of a professional team with an average of over 10 year of expertise in the distribution of electronic components. Based in Hongkong, we have already established firm and mutual-benefit business relationships with customers from,Europe,America and south Asia,supplying obsolete and hard-to-find components to meet their specific needs.

With the principle of "Quality Parts,Customers Priority,Honest Operation,and Considerate Service",our business mainly focus on the distribution of electronic components. Line cards we deal with include Microchip,ALPS,ROHM,Xilinx,Pulse,ON,Everlight and Freescale. Main products comprise IC,Modules,Potentiometer,IC Socket,Relay,Connector.Our parts cover such applications as commercial,industrial, and automotives areas.

We are looking forward to setting up business relationship with you and hope to provide you with the best service and solution. Let us make a better world for our industry!



Contact us

Tel: +86-755-8981 8866 Fax: +86-755-8427 6832

Email & Skype: info@chipsmall.com Web: www.chipsmall.com

Address: A1208, Overseas Decoration Building, #122 Zhenhua RD., Futian, Shenzhen, China



PART
NAME

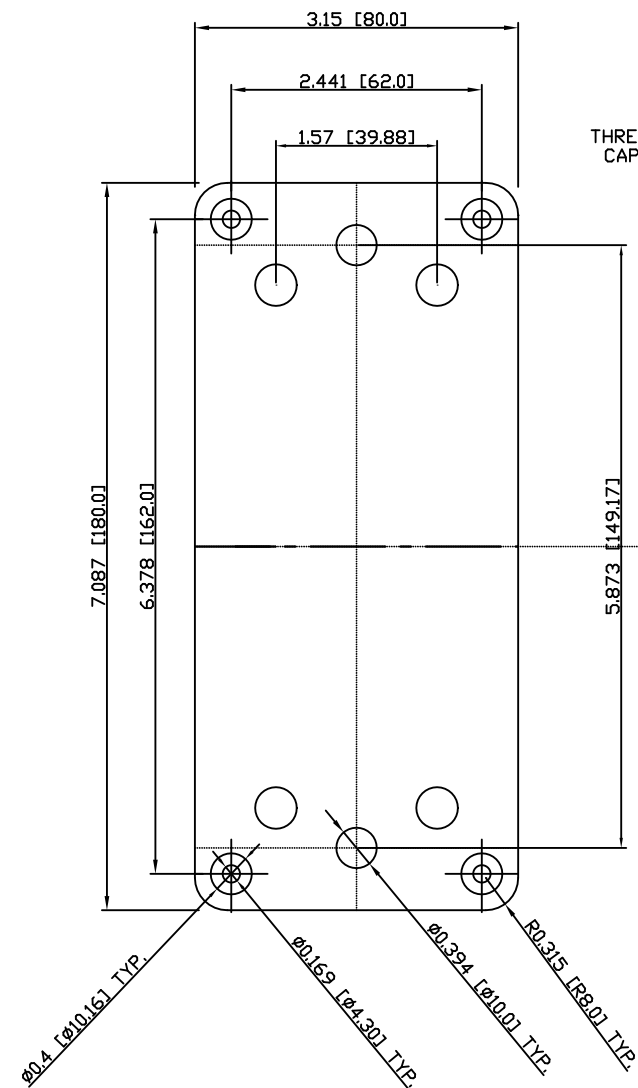
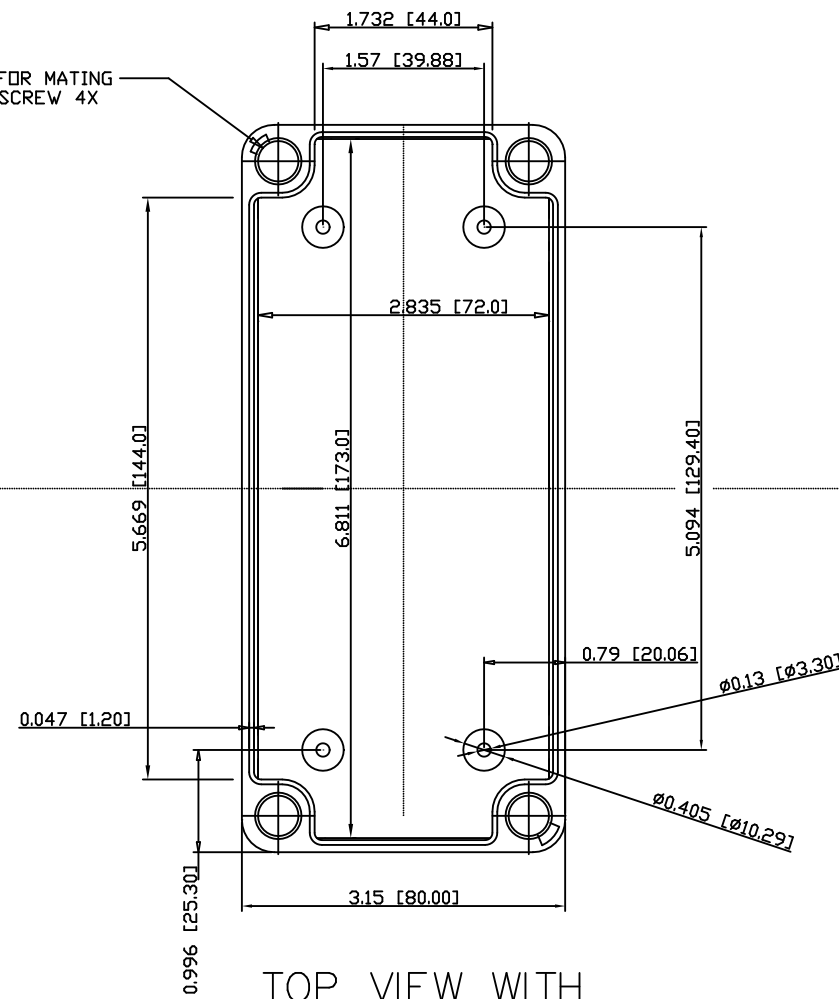
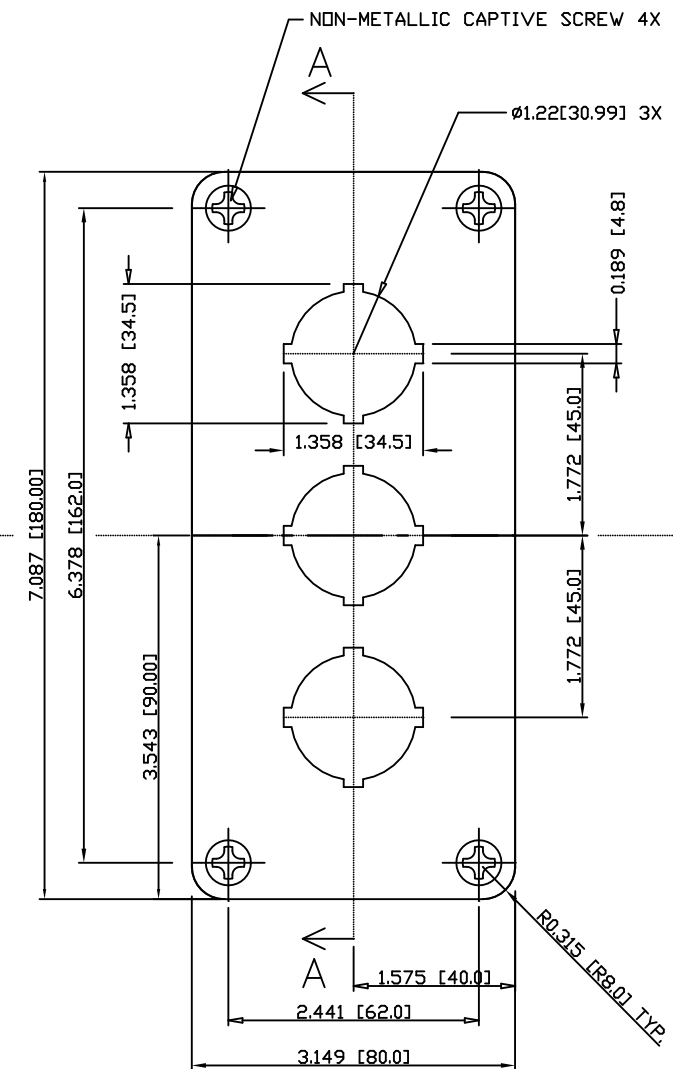
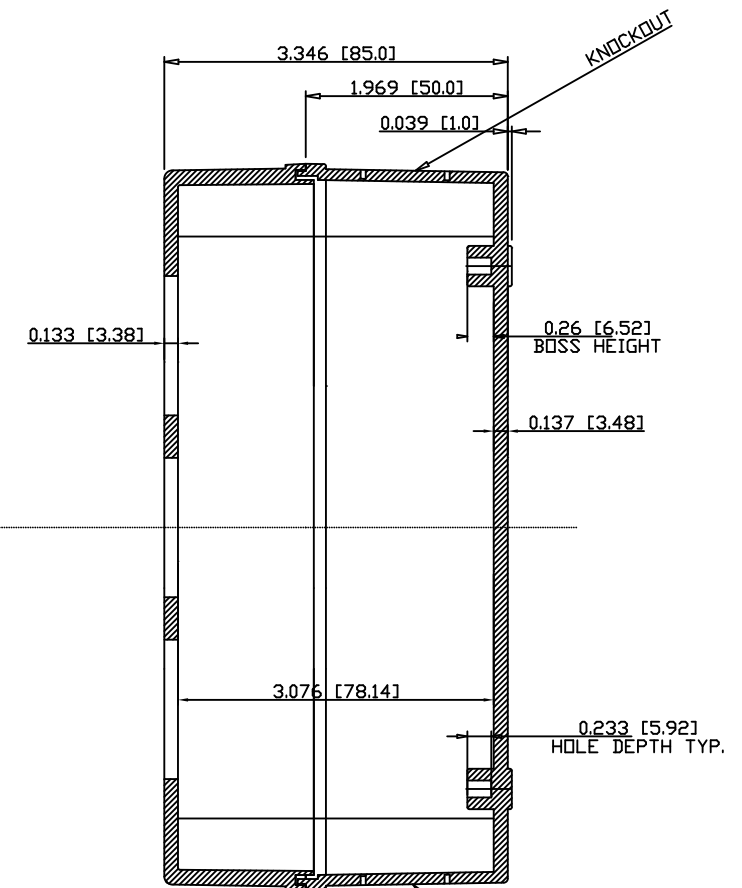
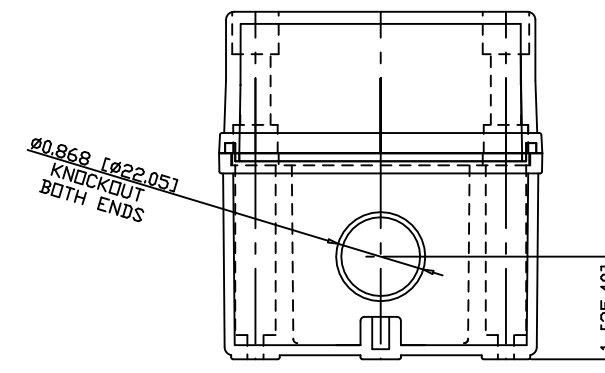
PUSH BUTTON BOX - 3 HOLE (30MM)

PART
No.

PBB-11835-3

REVISION
DATE

12-3-15

BOTTOM
VIEWTHREADED FOR MATING
CAPTIVE SCREW 4XTOP VIEW WITH
COVER REMOVEDTOP VIEW
WITH COVERSECTION
A-A

FRONT VIEW

NOTES:

1- MATERIAL: BODY- GRAY POLYCARBONATE, 10% GLASS FIBER FILLED
COVER - GRAY POLYCARBONATE

2- IP-67 TUV AND UL-94V0 RATING

3- UL508/NEMA TYPE 4X AND TYPE 6 LISTED #E343339

4- CONTINUOUS GASKET IN COVER

5- FOUR NON-METALLIC CAPTIVE SCREWS PROVIDED

6- ALL DIMENSIONS HAVE +/- .03[.76] TOLERANCE

7- DIMENSIONS ARE INCH[MM]

OPTIONAL ACCESSORIES:

MOUNTING BRACKET KIT (STAINLESS STEEL) - #NBX-10922

MOUNTING BRACKET KIT (PLASTIC) - #PIX-4117