



Chipsmall Limited consists of a professional team with an average of over 10 year of expertise in the distribution of electronic components. Based in Hongkong, we have already established firm and mutual-benefit business relationships with customers from,Europe,America and south Asia,supplying obsolete and hard-to-find components to meet their specific needs.

With the principle of “Quality Parts,Customers Priority,Honest Operation,and Considerate Service”,our business mainly focus on the distribution of electronic components. Line cards we deal with include Microchip,ALPS,ROHM,Xilinx,Pulse,ON,Everlight and Freescale. Main products comprise IC,Modules,Potentiometer,IC Socket,Relay,Connector.Our parts cover such applications as commercial,industrial, and automotives areas.

We are looking forward to setting up business relationship with you and hope to provide you with the best service and solution. Let us make a better world for our industry!



## Contact us

Tel: +86-755-8981 8866 Fax: +86-755-8427 6832

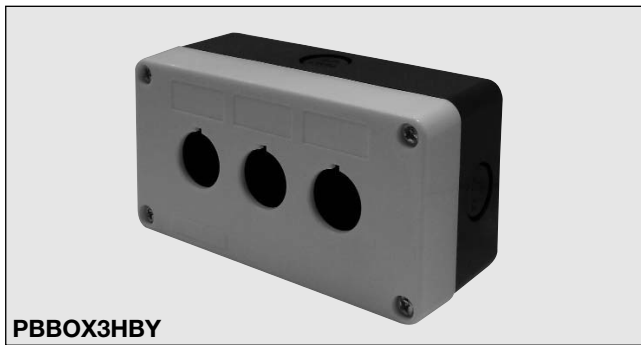
Email & Skype: info@chipsmall.com Web: www.chipsmall.com

Address: A1208, Overseas Decoration Building, #122 Zhenhua RD., Futian, Shenzhen, China



# PBBOX

## Push button plastic boxes



PBBOX3HBY

- Pre-cut cable inlet PG13.5/M20
- UL approved plastic material
- Black base and yellow or grey cover
- From 1 to 5 holes
- CE

### Product Description

These boxes, made by UL approved ABS plastic material, are ideal for push buttons application like push button station, emergency STOP push button box, start-stop box etc... They are available from 1 to 5 holes that are fitted for 22mm push buttons series. The black base has a pre-pressed cable inlet type Pg (Pg13.5) or Metric (M20). The cover is available either yellow or grey colours.

### Ordering Key

**PBBOX 3H BY**

Model \_\_\_\_\_  
 Number of Holes \_\_\_\_\_  
 Box Colour \_\_\_\_\_

### Approvals



### Number of holes

1H	1 hole
2H	2 holes
3H	3 holes
4H	4 holes
5H	5 holes

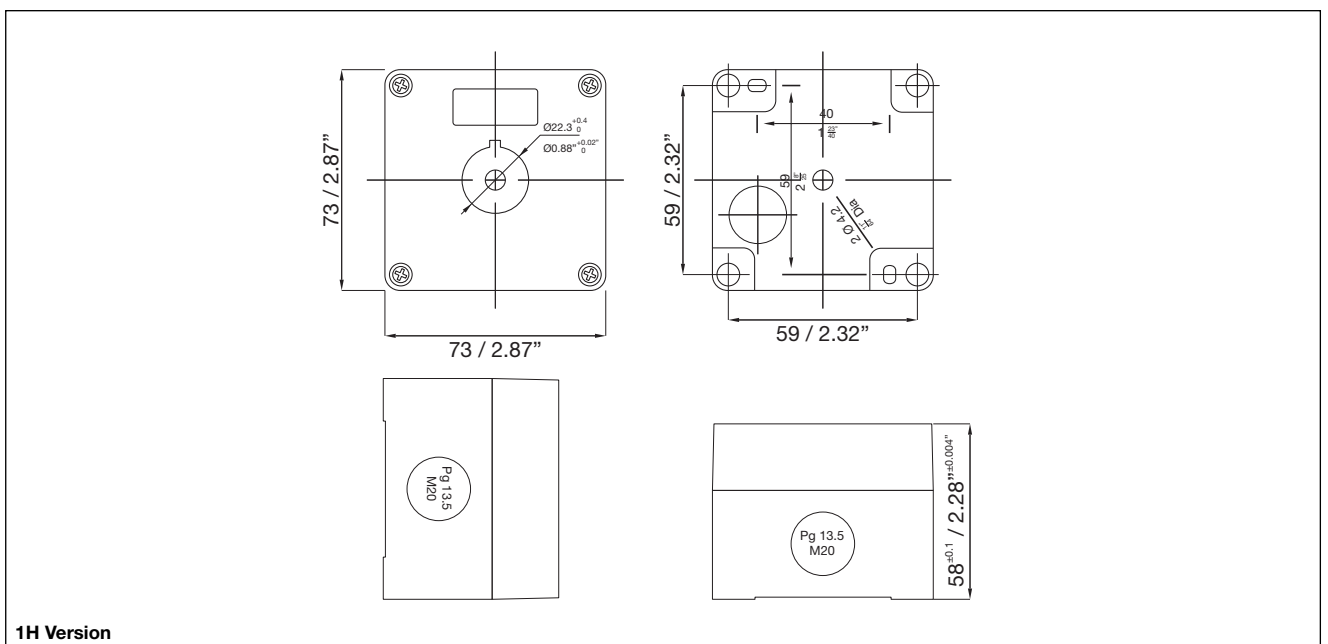
### Box Colours

<b>BY</b>	Base: Cover:	<b>Black Pantone Yellow</b>
<b>BG</b>	Base: Cover:	<b>Black Grey RAL7035</b>

### General Data

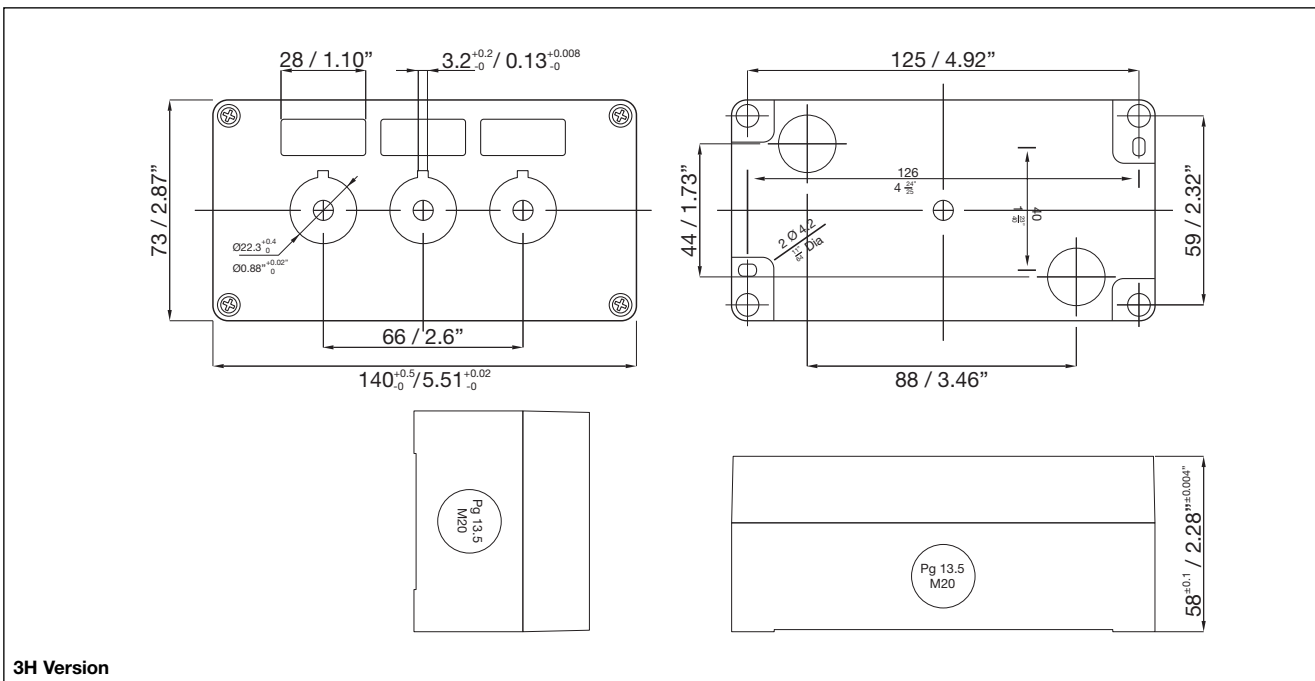
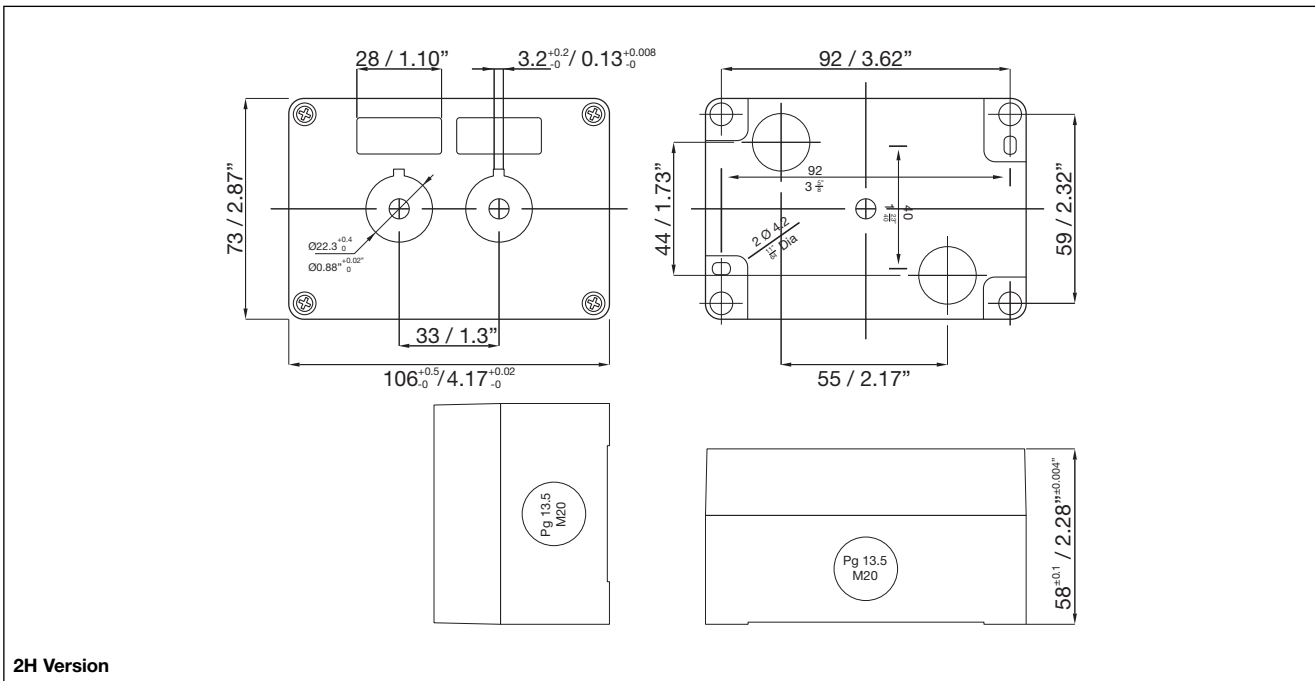
<b>Material</b>	<b>ABS PA-765</b>
<b>Weight</b>	1H 80g / 2.82oz 2H 100g / 3.53oz 3H 120g / 4.23oz 4H 160g / 5.64oz 5H 180g / 6.35oz
<b>Hole diameter</b>	Ø22mm / 0.87"
<b>Operating temperature</b>	-40°C...+60°C / -40°F...+140°F
<b>Degree of protection</b>	IP00

### Dimensions (mm/inches)



1H Version

## Dimensions (mm/inches)



## Dimensions (mm/inches)

