



Chipsmall Limited consists of a professional team with an average of over 10 year of expertise in the distribution of electronic components. Based in Hongkong, we have already established firm and mutual-benefit business relationships with customers from,Europe,America and south Asia,supplying obsolete and hard-to-find components to meet their specific needs.

With the principle of "Quality Parts,Customers Priority,Honest Operation,and Considerate Service",our business mainly focus on the distribution of electronic components. Line cards we deal with include Microchip,ALPS,ROHM,Xilinx,Pulse,ON,Everlight and Freescale. Main products comprise IC,Modules,Potentiometer,IC Socket,Relay,Connector.Our parts cover such applications as commercial,industrial, and automotives areas.

We are looking forward to setting up business relationship with you and hope to provide you with the best service and solution. Let us make a better world for our industry!



## Contact us

Tel: +86-755-8981 8866 Fax: +86-755-8427 6832

Email & Skype: info@chipsmall.com Web: www.chipsmall.com

Address: A1208, Overseas Decoration Building, #122 Zhenhua RD., Futian, Shenzhen, China



**NOTES, UNLESS OTHERWISE SPECIFIED:**

**The Panduit PBDCT Bench-Mount Duct Cutting Tool features:**

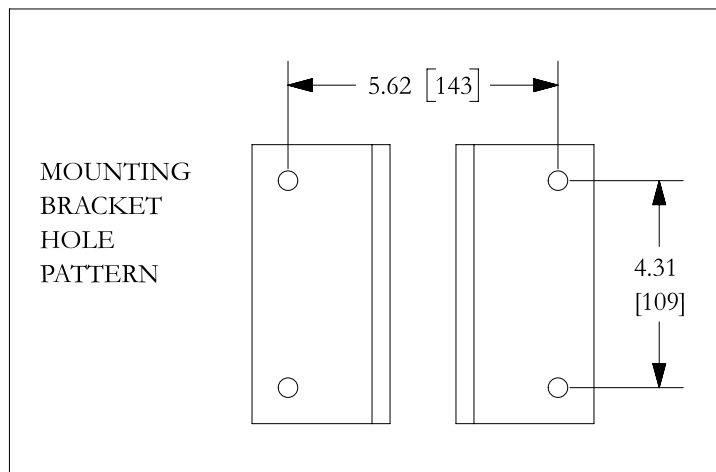
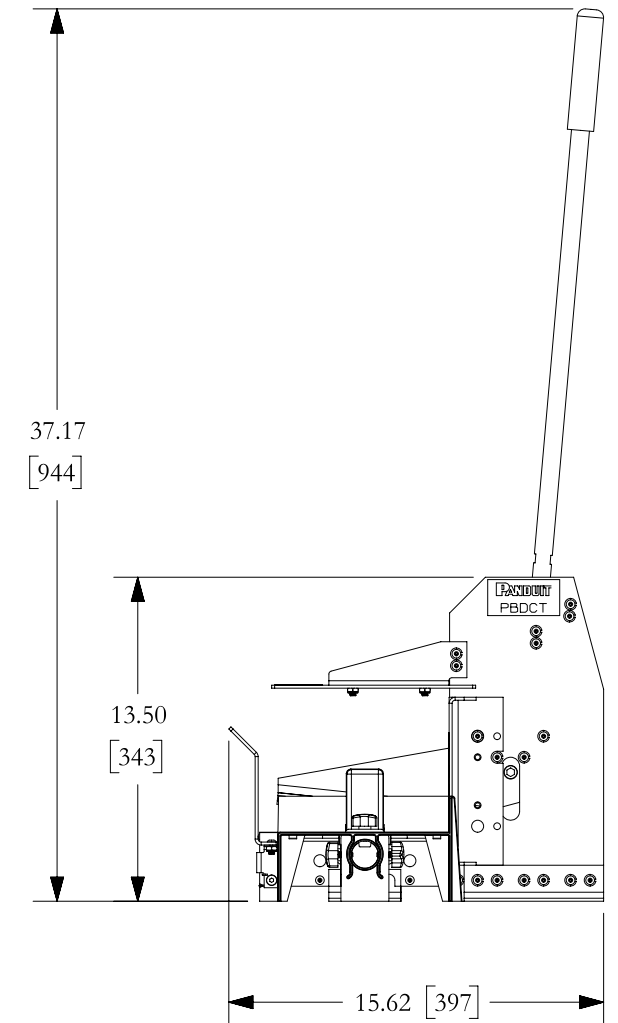
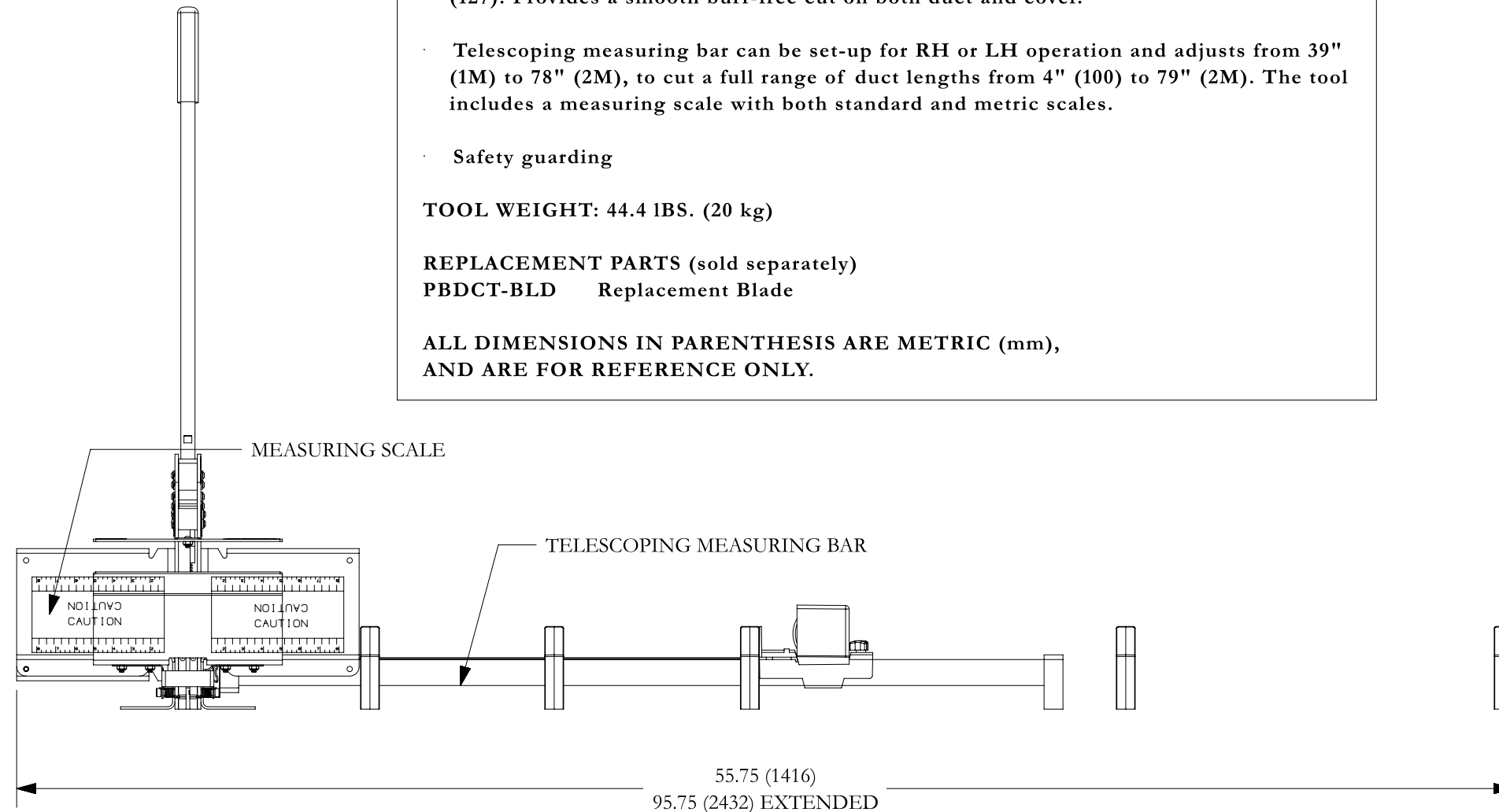
- Easily cuts any Panduct® slotted wiring duct & cover up to 6" wide (152), and 5" high (127). Provides a smooth burr-free cut on both duct and cover.
- Telescoping measuring bar can be set-up for RH or LH operation and adjusts from 39" (1M) to 78" (2M), to cut a full range of duct lengths from 4" (100) to 79" (2M). The tool includes a measuring scale with both standard and metric scales.
- Safety guarding

**TOOL WEIGHT: 44.4 IBS. (20 kg)**

**REPLACEMENT PARTS (sold separately)**

**PBDCT-BLD Replacement Blade**

**ALL DIMENSIONS IN PARENTHESIS ARE METRIC (mm), AND ARE FOR REFERENCE ONLY.**



REV	DATE	BY	CHK	APR	DESCRIPTION	ECN
02	07.11.16	BDK	MRJS	RGRO	B. FOR PREVIOUS REV REF: F:\wrkgrp\ENGR DOCS\CUSTOMER DRAWINGS\WD25752C01.01.doc A. DRAWING TRANSFERED TO CAD / TEAMCENTER	WD25752C01

TITLE <b>BENCH TOP DUCT CUTTING TOOL PBDCT</b>		CUSTOMER DRAWING	
ITEM REVISION NAME 00216NKF/00		<b>PANDUIT</b>	
DATASET FILE NAME 00216NKF-DC/02 PBDCT DUCT COVER			
UNLESS OTHERWISE SPECIFIED, DIMENSIONAL TOLERANCES ARE: IN [ mm ]		MATERIAL: NONE	
.X ±	.XXX ±	DRAWING NUMBER: WD25752C01	
.XX ±	ANGLES ±	THIRD ANGLE PROJECTION	
DRAWN BY BDK	DATE 07.11.16	CHK RGRO	SCALE NONE
SHT 1 OF 1		SIZE B	