



Chipsmall Limited consists of a professional team with an average of over 10 year of expertise in the distribution of electronic components. Based in Hongkong, we have already established firm and mutual-benefit business relationships with customers from,Europe,America and south Asia,supplying obsolete and hard-to-find components to meet their specific needs.

With the principle of "Quality Parts,Customers Priority,Honest Operation,and Considerate Service",our business mainly focus on the distribution of electronic components. Line cards we deal with include Microchip,ALPS,ROHM,Xilinx,Pulse,ON,Everlight and Freescale. Main products comprise IC,Modules,Potentiometer,IC Socket,Relay,Connector.Our parts cover such applications as commercial,industrial, and automotives areas.

We are looking forward to setting up business relationship with you and hope to provide you with the best service and solution. Let us make a better world for our industry!



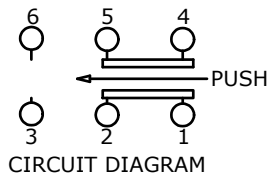
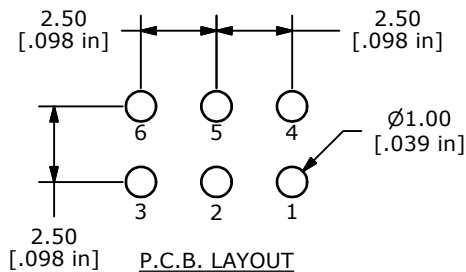
Contact us

Tel: +86-755-8981 8866 Fax: +86-755-8427 6832

Email & Skype: info@chipsmall.com Web: www.chipsmall.com

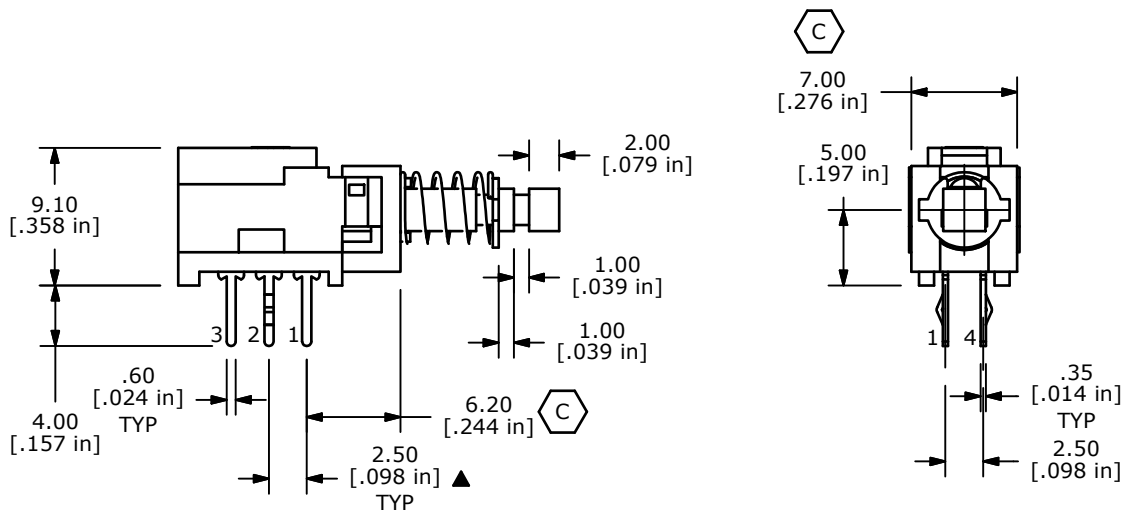
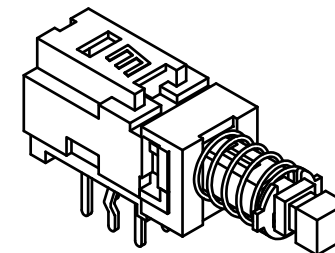
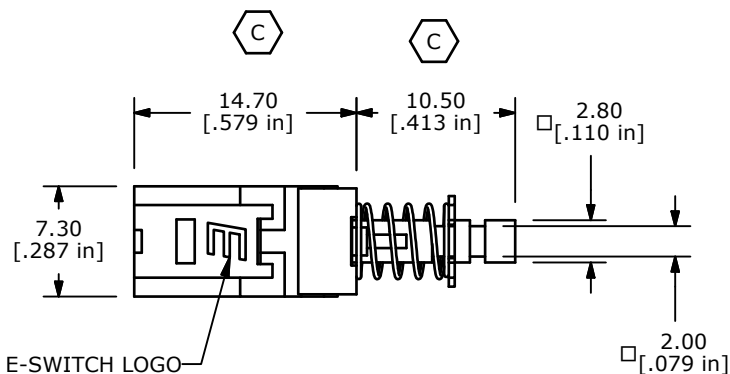
Address: A1208, Overseas Decoration Building, #122 Zhenhua RD., Futian, Shenzhen, China





NOTES:

1. ALL DIMENSIONS IN MM [INCH]
2. GENERAL TOLERANCE: X.X=±0.4
X.XX=±0.25
3. TERM. NOS. FOR REFERENCE ONLY.
4. RATING 0.1A @30V DC
- ▲5. MATERIALS:
CONTACT/TERMINALS: SILVER PLATE (B)
HOUSING: PBT UL94HB
BASE: PA66 UL94HB
ACTUATOR: POM
6. CONTACT RESISTANCE: 100 MILLI-OHM (INITIAL)
- ▲7. TIMING: NON-SHORTING
8. OPERATING FORCE: 230±50GF (C)
9. TRAVEL: LATCHING
2MM TO LOCK
3MM OVERALL
10. ELECTRICAL LIFE: 10000 CYCLES
11. OPERATING TEMP: -20°C TO +70°C (C)
12. ▲DENOTES CRITICAL PARAMETER.
- 13 2002/95/EC (ROHS) COMPLIANT



E	19670	CIRCUIT DIAGRAM UPDATE	2/10/11	BGL
D	15659	REMOVE DIMS, ADD ROHS, DIM FROM 0.90	1/5/06	PH
C	14893	CHANGED NOTES AND DIMENSIONS	5/3/05	JB
B	14790	ADD MATERIALS TO NOTES	3/29/05	AR
A	14691	RELEASED FOR PRODUCTION	2/14/05	AR
REV	PCR NO	DESCRIPTION	DATE	BY

THE INFORMATION CONTAINED IN THIS DOCUMENT IS PROPRIETARY TO E-SWITCH AND IS NOT TO BE COPIED OR TRANSFERRED

E-SWITCH®

TITLE PBH2UEESNPAGX

SCALE	DATE	DR	DWG	REV
2:1	2/2/2005	AR	Q960030	E