



Chipsmall Limited consists of a professional team with an average of over 10 year of expertise in the distribution of electronic components. Based in Hongkong, we have already established firm and mutual-benefit business relationships with customers from,Europe,America and south Asia,supplying obsolete and hard-to-find components to meet their specific needs.

With the principle of “Quality Parts,Customers Priority,Honest Operation,and Considerate Service”,our business mainly focus on the distribution of electronic components. Line cards we deal with include Microchip,ALPS,ROHM,Xilinx,Pulse,ON,Everlight and Freescale. Main products comprise IC,Modules,Potentiometer,IC Socket,Relay,Connector.Our parts cover such applications as commercial,industrial, and automotives areas.

We are looking forward to setting up business relationship with you and hope to provide you with the best service and solution. Let us make a better world for our industry!



Contact us

Tel: +86-755-8981 8866 Fax: +86-755-8427 6832

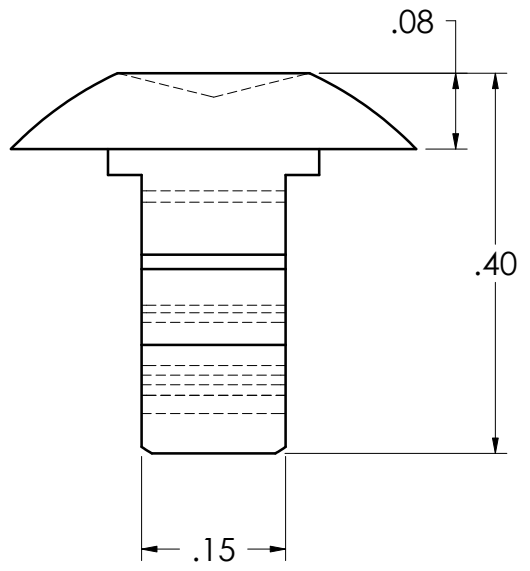
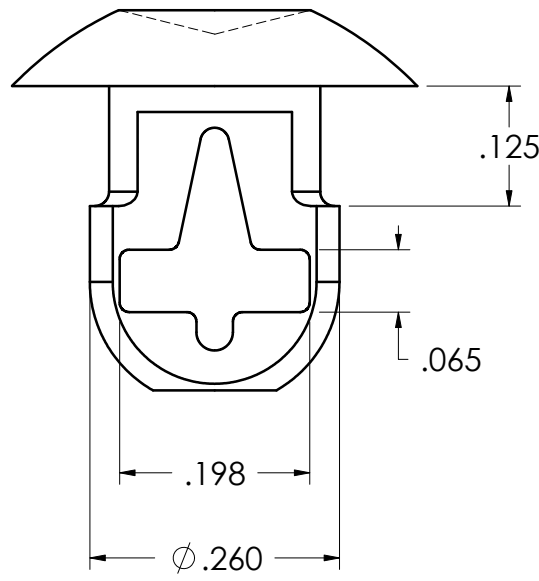
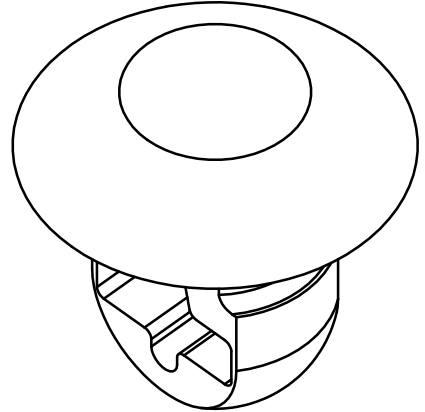
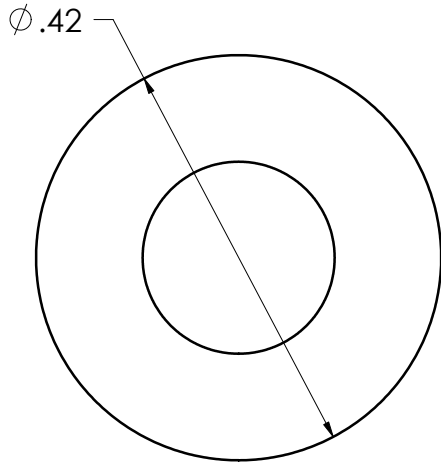
Email & Skype: info@chipsmall.com Web: www.chipsmall.com

Address: A1208, Overseas Decoration Building, #122 Zhenhua RD., Futian, Shenzhen, China



name	date	city, state

NOTES



PART NUMBER DESCRIPTION

PBM
 COLOR (CONTACT FACTORY FOR AVAIL. COLORS)

CABLE TIE SERIES	MAX. PANEL THICKNESS	MOUNTING HOLE DIA.
T18 thru T50	11 GA (.120)	.250

REVISION	D level 01	DIMENSIONS	number PBM	phase PRODUCTION	DRAWING	format version M AV CAD SW scale 5:1	
	AW by AAM		name	PBM PUSH BUTTON MOUNT		computer file number MT2008001CST_01	
	IN date 10/20/00		material			previous number	
	NG ECN# 002199		units inches / [mm]	NYLON 6/6		drawn A.A.M. 10/20/00	sheet 1 of 1
part level A					number MT2008001CST		