



Chipsmall Limited consists of a professional team with an average of over 10 year of expertise in the distribution of electronic components. Based in Hongkong, we have already established firm and mutual-benefit business relationships with customers from,Europe,America and south Asia,supplying obsolete and hard-to-find components to meet their specific needs.

With the principle of “Quality Parts,Customers Priority,Honest Operation,and Considerate Service”,our business mainly focus on the distribution of electronic components. Line cards we deal with include Microchip,ALPS,ROHM,Xilinx,Pulse,ON,Everlight and Freescale. Main products comprise IC,Modules,Potentiometer,IC Socket,Relay,Connector.Our parts cover such applications as commercial,industrial, and automotives areas.

We are looking forward to setting up business relationship with you and hope to provide you with the best service and solution. Let us make a better world for our industry!



## Contact us

Tel: +86-755-8981 8866 Fax: +86-755-8427 6832

Email & Skype: info@chipsmall.com Web: www.chipsmall.com

Address: A1208, Overseas Decoration Building, #122 Zhenhua RD., Futian, Shenzhen, China

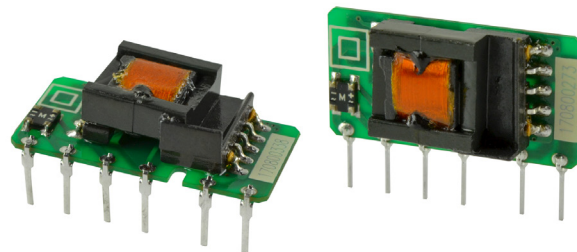




**SERIES:** PBO-1 | **DESCRIPTION:** AC-DC POWER SUPPLY

**FEATURES**

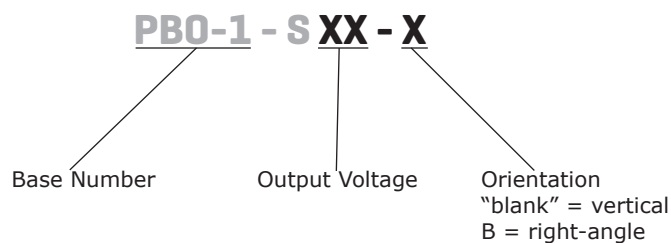
- up to 1 W continuous power
- ultra-compact SIP package
- available in straight-pin and bent-pin configurations
- wide input voltage range
- over current and short circuit protections
- 3,000 Vac isolation
- UL 60950-1, CE safety approvals



MODEL	output voltage (Vdc)	output current		output power max (W)	ripple and noise <sup>1</sup> max (mVp-p)	efficiency <sup>2</sup> typ (%)
		min (mA)	max (mA)			
PBO-1-S5	5	10	200	1	120	66
PBO-1-S9	9	5.55	111	1	120	67
PBO-1-S12	12	4.15	83	1	120	70
PBO-1-S15	15	3.35	67	1	120	69
PBO-1-S24	24	2.1	42	1	120	68

Notes: 1. At full load, nominal input, 20 MHz bandwidth oscilloscope, see Application Circuit.  
 2. At 230 Vac input.  
 3. All specifications are measured at Ta=25°C, humidity <75%, 115 or 230 Vac input voltage, and rated output load unless otherwise specified.

**PART NUMBER KEY**



## INPUT

parameter	conditions/description	min	typ	max	units
voltage		85		305	Vac
		70		430	Vdc
frequency		47		63	Hz
current	at 115 Vac			0.12	A
	at 277 Vac			0.06	A
inrush current	at 115 Vac at 277 Vac		9		A
			15		A
no load power consumption	24 Vdc output models			0.3	W
	all other models			0.25	W

## OUTPUT

parameter	conditions/description	min	typ	max	units
capacitive load	5 Vdc output models			220	$\mu$ F
	all other models			100	$\mu$ F
initial set point accuracy	5 Vdc output models			$\pm 8$	%
	all other models			$\pm 5$	%
line regulation	at full load		$\pm 1.5$		%
load regulation	from 5~100% load		$\pm 2.5$		%
hold-up time	at 230 Vac	150	180		ms
switching frequency				100	kHz
temperature coefficient			$\pm 0.15$		%/ $^{\circ}$ C

## PROTECTIONS

parameter	conditions/description	min	typ	max	units
over current protection	auto recovery	110		500	%
short circuit protection	continuous, auto recovery				

## SAFETY & COMPLIANCE

parameter	conditions/description	min	typ	max	units
isolation voltage	input to output for 1 minute	3,000			Vac
safety approvals	UL 60950-1, EN 60950-1, IEC 60950-1				
safety class	Class II				
conducted emissions	CISPR32/EN55032, Class A (external circuit required, see Figure 1)				
	CISPR32/EN55032, Class B (external circuit required, see Figure 2)				
radiated emissions	CISPR32/EN55032, Class A (external circuit required, see Figure 1)				
	CISPR32/EN55032, Class B (external circuit required, see Figure 2)				
ESD	IEC/EN61000-4-2, contact $\pm 4$ kV, Class B				
radiated immunity	IEC/EN61000-4-3, 10V/m, Class A (external circuit required, see Figure 2)				
EFT/burst	IEC/EN61000-4-4, $\pm 2$ kV, Class B (external circuit required, see Figure 1)				
	IEC/EN61000-4-4, $\pm 4$ kV, Class B (external circuit required, see Figure 2)				
surge	IEC/EN61000-4-5, line to line $\pm 1$ kV, Class B (external circuit required, see Figure 1)				
	IEC/EN61000-4-5, line to line $\pm 1$ kV/line to ground $\pm 2$ kV, Class B (external circuit required, see Figure 2)				
conducted immunity	IEC/EN61000-4-6, 10 Vr.m.s, Class A (external circuit required, see Figure 2)				
voltage dips & interruptions	IEC/EN61000-4-11 Class B, 0%-70% (external circuit required, see Figure 2)				
MTBF	as per MIL-HDBK-217F at 25 $^{\circ}$ C	200,000			hours
RoHS	2011/65/EU				

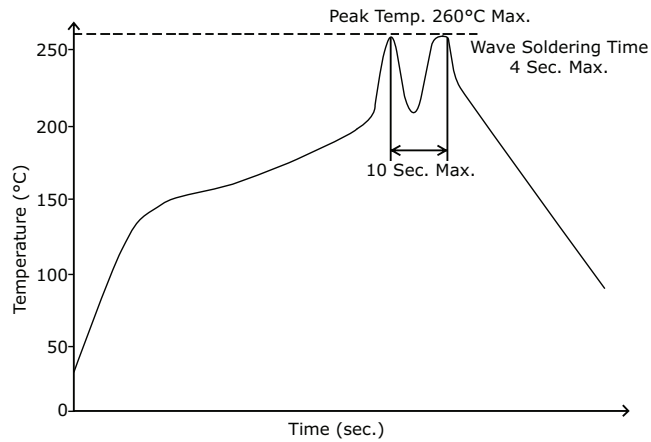
Notes: 1. The power supply is considered a component which will be installed into final equipment. The final equipment still must be tested to meet the necessary EMC directives.

## ENVIRONMENTAL

parameter	conditions/description	min	typ	max	units
operating temperature	see derating curves	-40		85	°C
storage temperature		-40		105	°C
storage humidity	non-condensing			85	%

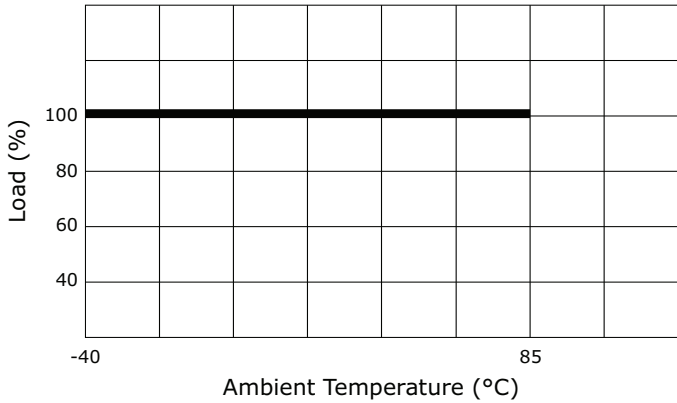
## SOLDERABILITY

parameter	conditions/description	min	typ	max	units
hand soldering	for 3~5 seconds	350	360	370	°C
wave soldering	for 5~10 seconds	255	260	265	°C

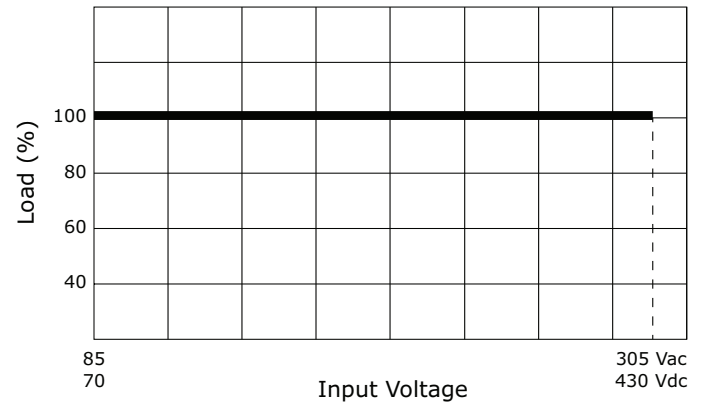


## DERATING CURVES

Load vs. Ambient Temperature  
(at 85~305 Vac / 70~430 Vdc Input Voltage)

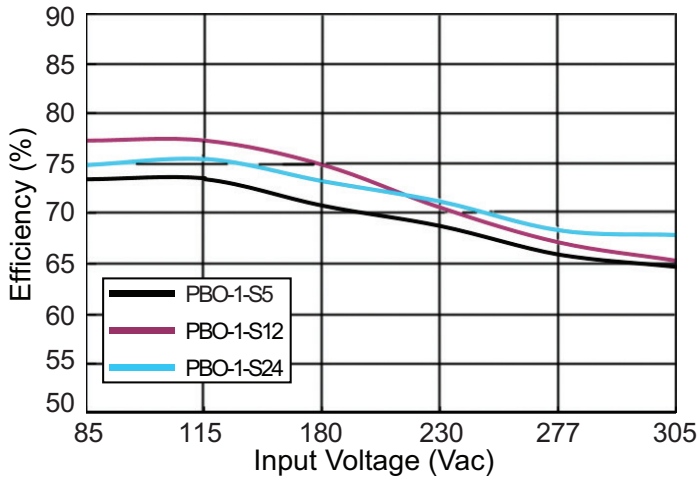


Load vs. Input Voltage  
(at 25°C Ambient Temperature)

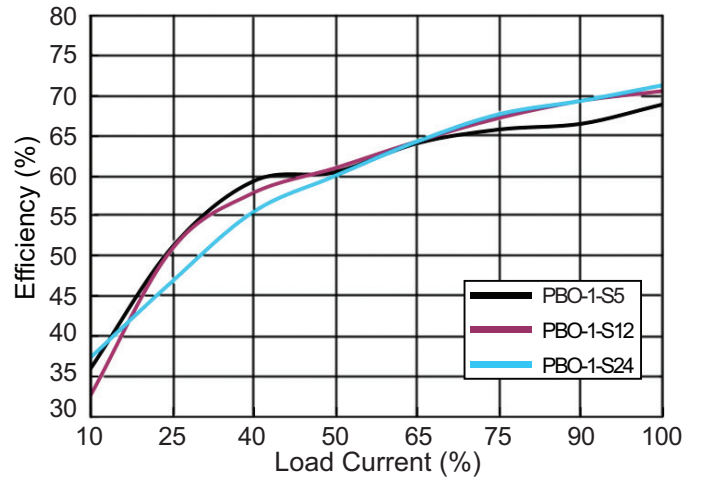


## EFFICIENCY CURVES

Efficiency vs. Input Voltage  
(at full load)



Efficiency vs. Load Current  
(at 230 Vac)



## MECHANICAL

parameter	conditions/description	min	typ	max	units
dimensions	vertical models: 35.00 x 11.00 x 18.00 (1.38 x 0.43 x 0.71 inches) right-angle models: 35.00 x 18.00 x 11.00 (1.38 x 0.71 x 0.43 inches)				mm mm
weight			6		g

## MECHANICAL DRAWING

### Vertical Orientation

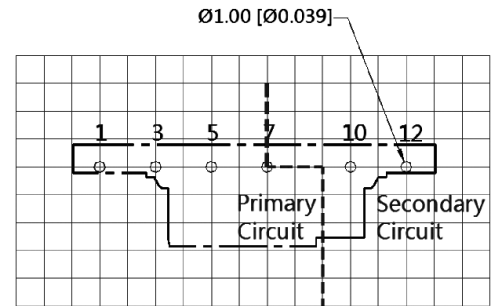
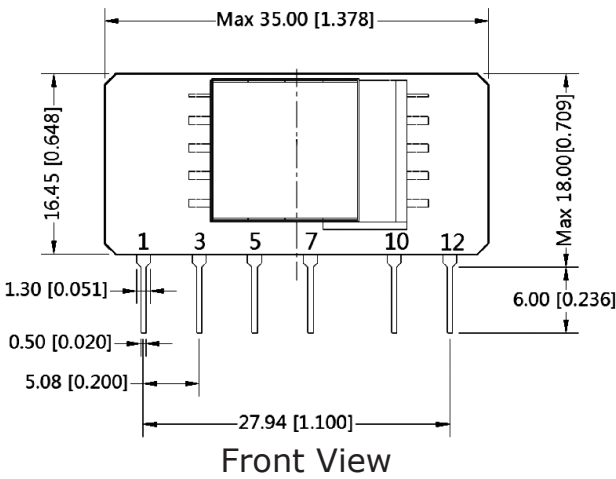
units: mm[inch]

tolerance:  $\pm 0.50[\pm 0.020]$

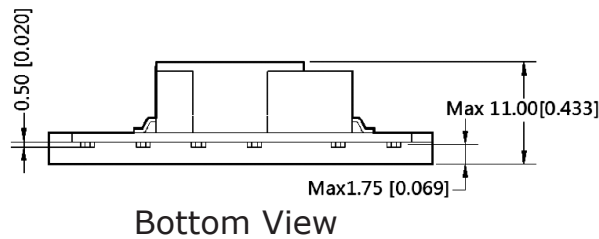
pin section tolerance:  $\pm 0.10[\pm 0.004]$

PIN CONNECTIONS	
PIN	Function
1	AC (N)
3	AC (L)
5	+V(CAP)
7	-V(CAP)
10	-Vo
12	+Vo

Note: 1. It is required to add C1 between pins 5 & 7 (see application circuits).



Note: Grid 2.54\*2.54mm



## MECHANICAL DRAWING (CONTINUED)

### Right-angle Orientation

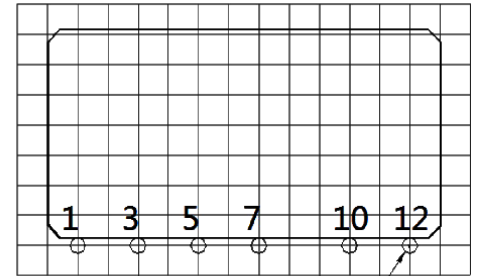
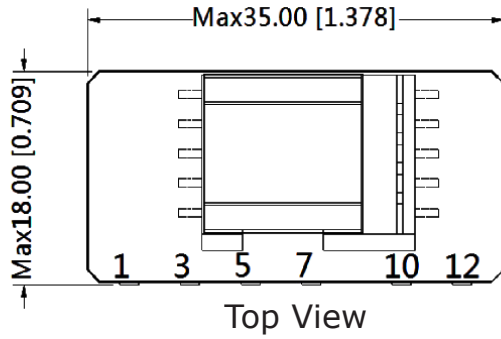
units: mm[inch]

tolerance:  $\pm 0.50$  [ $\pm 0.020$ ]

pin section tolerance:  $\pm 0.10$  [ $\pm 0.004$ ]

PIN CONNECTIONS	
PIN	Function
1	AC (N)
3	AC (L)
5	+V(CAP)
7	-V(CAP)
10	-Vo
12	+Vo

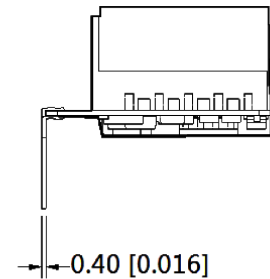
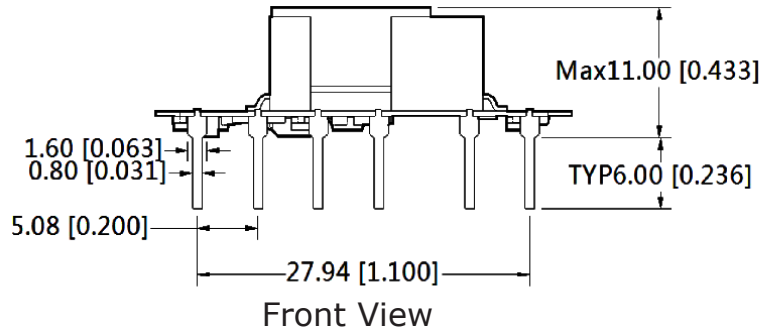
Note: 1. It is required to add C1 between pins 5 & 7 (see application circuits).



$\phi 1.30$  [ $\phi 0.051$ ]

Note: Grid 2.54\*2.54mm

Top View  
PCB Layout



## APPLICATION CIRCUIT

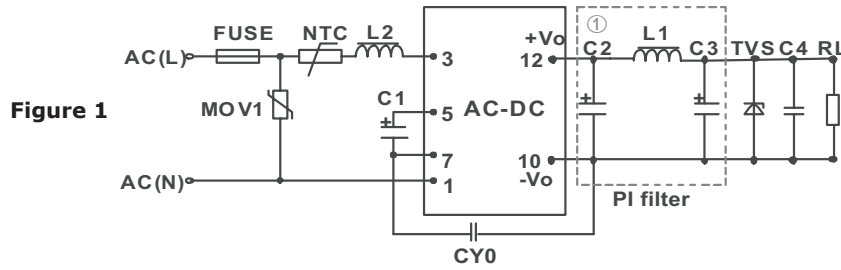


Table 1

Recommended External Circuit Components											
Vo (Vdc)	FUSE <sup>1</sup>	MOV1	NTC	L2	C1 <sup>1</sup>	CY0	C2 <sup>1,2</sup>	L1 <sup>1</sup>	C3 <sup>1</sup>	TVS	C4
5	1A/300V	S14K350	15D-5	1mH	4.7μF/450V	1nF/400Vac	100μF/16V	2.2μH	68μF/35V	SMBJ7.0A	0.1μF/50V
9	1A/300V	S14K350	15D-5	1mH	4.7μF/450V	1nF/400Vac	150μF/35V	2.2μH	68μF/35V	SMBJ12A	0.1μF/50V
12	1A/300V	S14K350	15D-5	1mH	4.7μF/450V	1nF/400Vac	100μF/35V	2.2μH	68μF/35V	SMBJ20A	0.1μF/50V
15	1A/300V	S14K350	15D-5	1mH	4.7μF/450V	1nF/400Vac	100μF/35V	2.2μH	68μF/35V	SMBJ20A	0.1μF/50V
24	1A/300V	S14K350	15D-5	1mH	4.7μF/450V	1nF/400Vac	100μF/35V	2.2μH	68μF/35V	SMBJ30A	0.1μF/50V

Note: 1. Required components.  
2. For 5 Vdc outputs, C2 should be a solid-state capacitor.

## EMC RECOMMENDED CIRCUIT

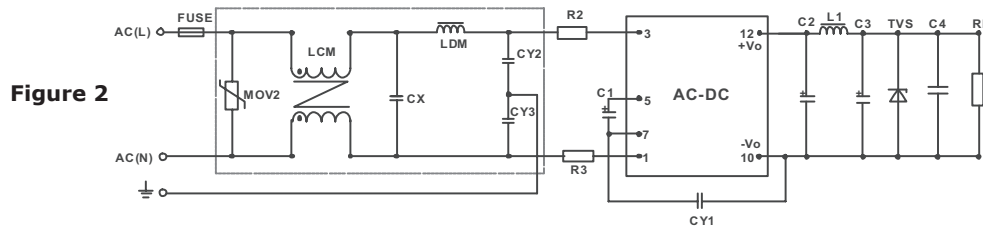


Table 2

Recommended External Circuit Components	
FUSE	1 A/300 V, slow fusing
MOV2	S14K350
LCM	3.50 mH
CX	0.1 μF/275 Vac
LDM	0.33 mH
CY1/CY2/ CY3	1 nF/400 Vac
R2/R3	33 Ω/3 W

Note: Also refer to Table 1.

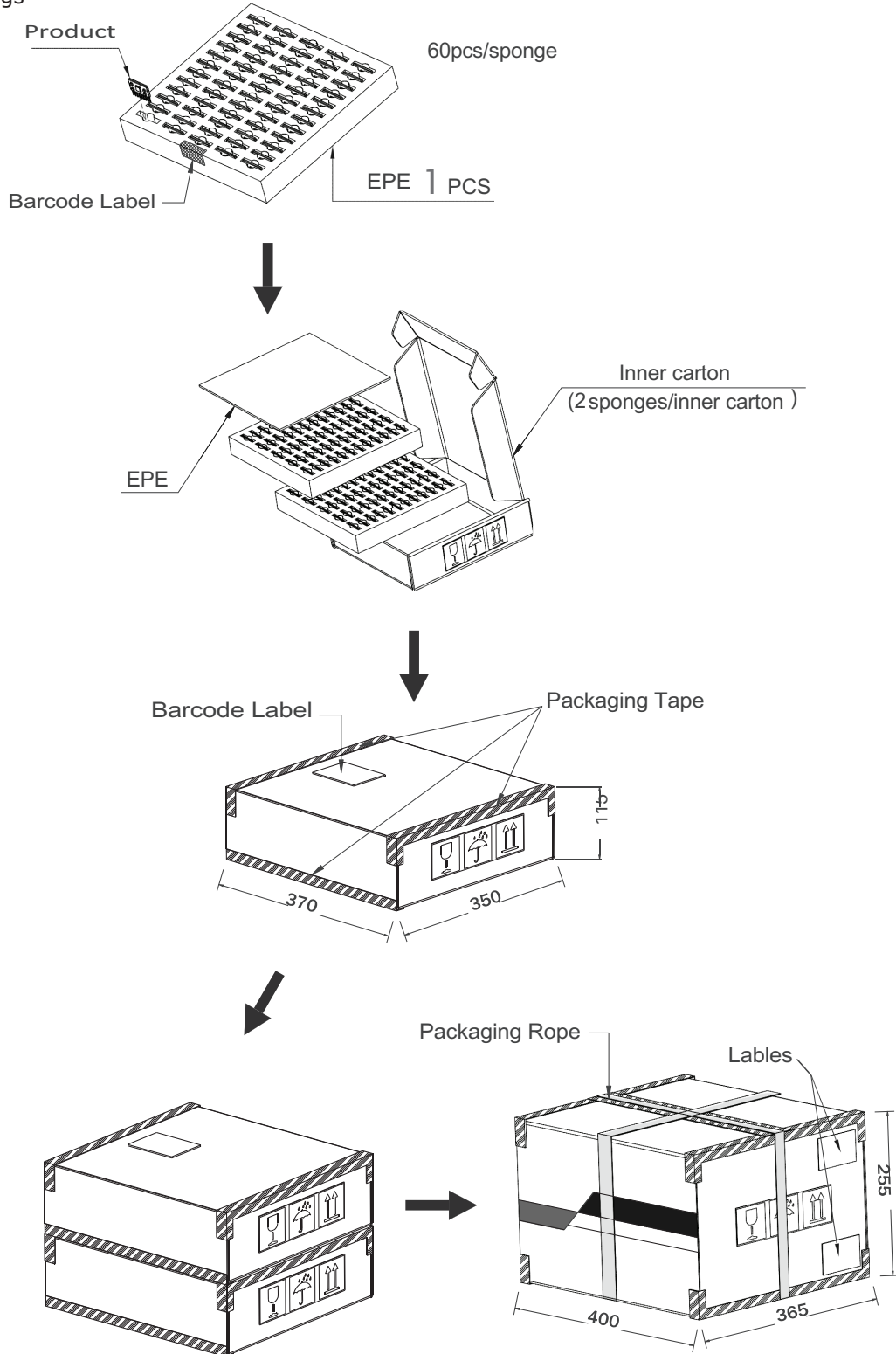
- Notes:
- C1 is required for both AC and DC inputs.
  - It is required to add pi-type filter circuit (C2, C3, & L1) to the output. The capacitors are recommended to be high frequency and low impedance electrolytic capacitors. For capacitance and rated ripple current of capacitors, refer to the datasheets provided by the manufacturers. Voltage derating of capacitors should be 80% or above.
  - C4 is a ceramic capacitor used to filter high frequency noise.
  - For current of L1 & L2 refer to the datasheets provided by the manufacturers. Current derating should be 80% or above.
  - TVS is a recommended component to protect post-circuits (if converter fails).
  - It is required to have a distance  $\geq 6.4$  mm for safety between external components in primary and secondary circuit.
  - It is recommended to add an insulation sheet between the bottom of the right-angle versions and the PCB when mounting.



## PACKAGING

### Vertical Orientation

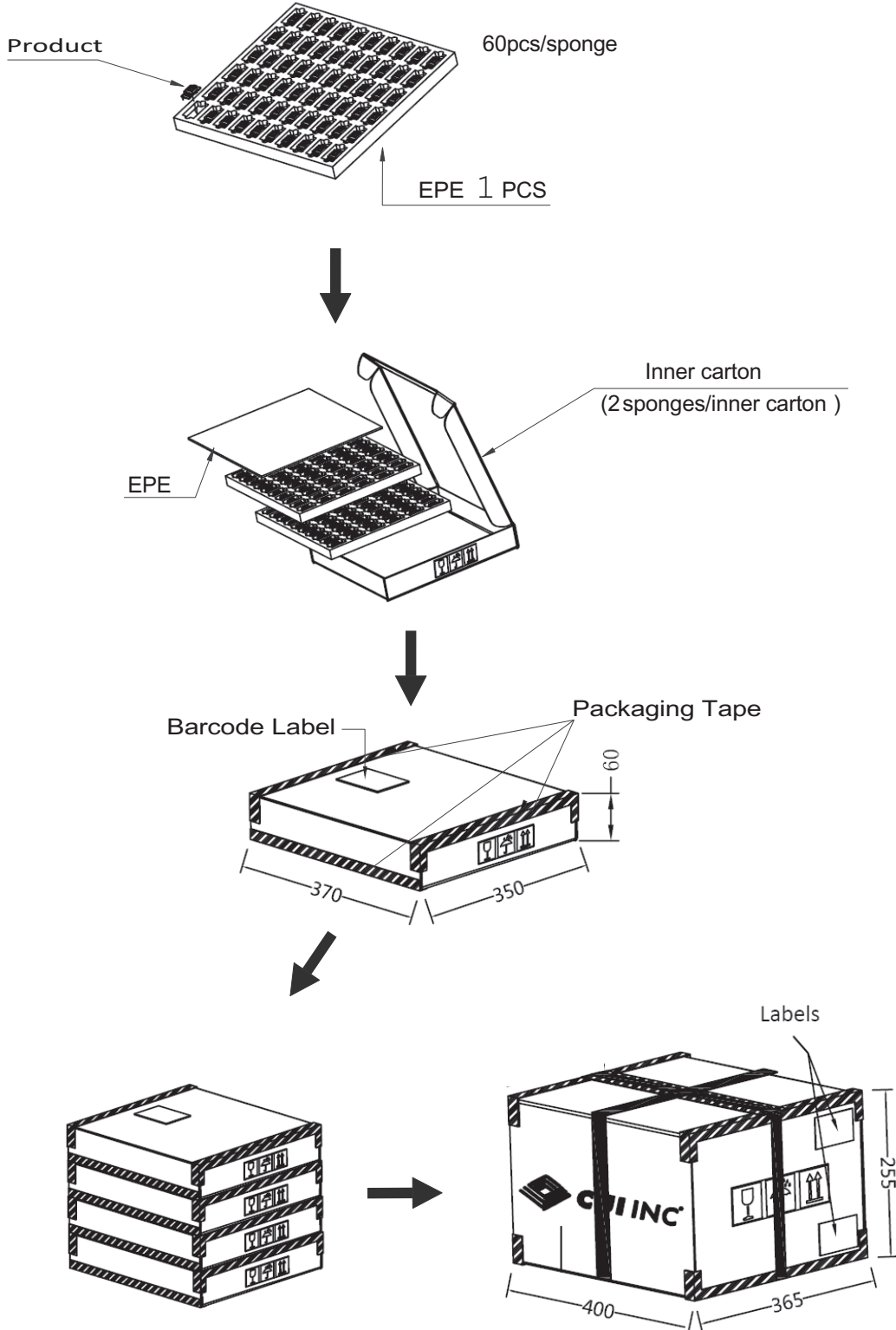
Inner Box Size: 370 x 350 x 115 mm  
Carton Size: 400 x 365 x 255 mm  
Inner Box QTY: 120 pcs per inner box  
Carton QTY: 240 pcs per carton  
Carton Weight: 2 kgs



## PACKAGING (CONTINUED)

### Right-angle Orientation

Inner Box Size: 370 x 350 x 60 mm  
Carton Size: 400 x 365 x 255 mm  
Inner Box QTY: 120 pcs per inner box  
Carton QTY: 480 pcs per carton  
Carton Weight: 2.31 kgs



## REVISION HISTORY

---

rev.	description	date
1.0	initial release	12/08/2017

The revision history provided is for informational purposes only and is believed to be accurate.



**CUI INC**<sup>®</sup>

**Headquarters**  
20050 SW 112th Ave.  
Tualatin, OR 97062  
**800.275.4899**

Fax 503.612.2383  
**cui.com**  
techsupport@cui.com

CUI offers a two (2) year limited warranty. Complete warranty information is listed on our website.

CUI reserves the right to make changes to the product at any time without notice. Information provided by CUI is believed to be accurate and reliable. However, no responsibility is assumed by CUI for its use, nor for any infringements of patents or other rights of third parties which may result from its use.

CUI products are not authorized or warranted for use as critical components in equipment that requires an extremely high level of reliability. A critical component is any component of a life support device or system whose failure to perform can be reasonably expected to cause the failure of the life support device or system, or to affect its safety or effectiveness.