



Chipsmall Limited consists of a professional team with an average of over 10 year of expertise in the distribution of electronic components. Based in Hongkong, we have already established firm and mutual-benefit business relationships with customers from,Europe,America and south Asia,supplying obsolete and hard-to-find components to meet their specific needs.

With the principle of “Quality Parts,Customers Priority,Honest Operation,and Considerate Service”,our business mainly focus on the distribution of electronic components. Line cards we deal with include Microchip,ALPS,ROHM,Xilinx,Pulse,ON,Everlight and Freescale. Main products comprise IC,Modules,Potentiometer,IC Socket,Relay,Connector.Our parts cover such applications as commercial,industrial, and automotives areas.

We are looking forward to setting up business relationship with you and hope to provide you with the best service and solution. Let us make a better world for our industry!



Contact us

Tel: +86-755-8981 8866 Fax: +86-755-8427 6832

Email & Skype: info@chipsmall.com Web: www.chipsmall.com

Address: A1208, Overseas Decoration Building, #122 Zhenhua RD., Futian, Shenzhen, China

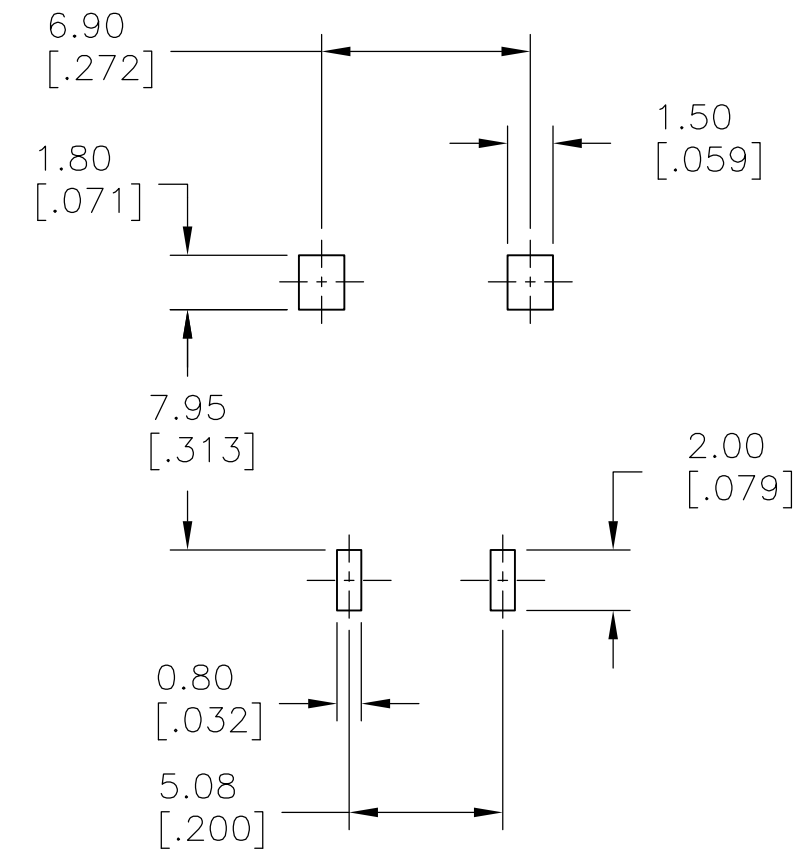
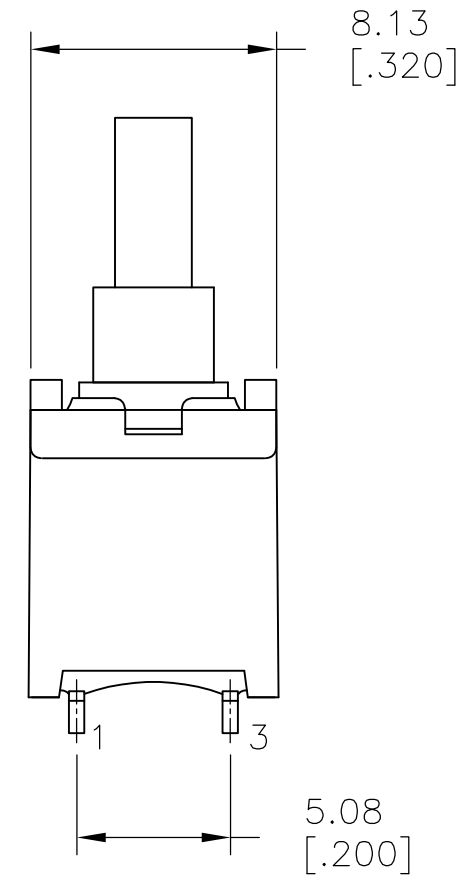
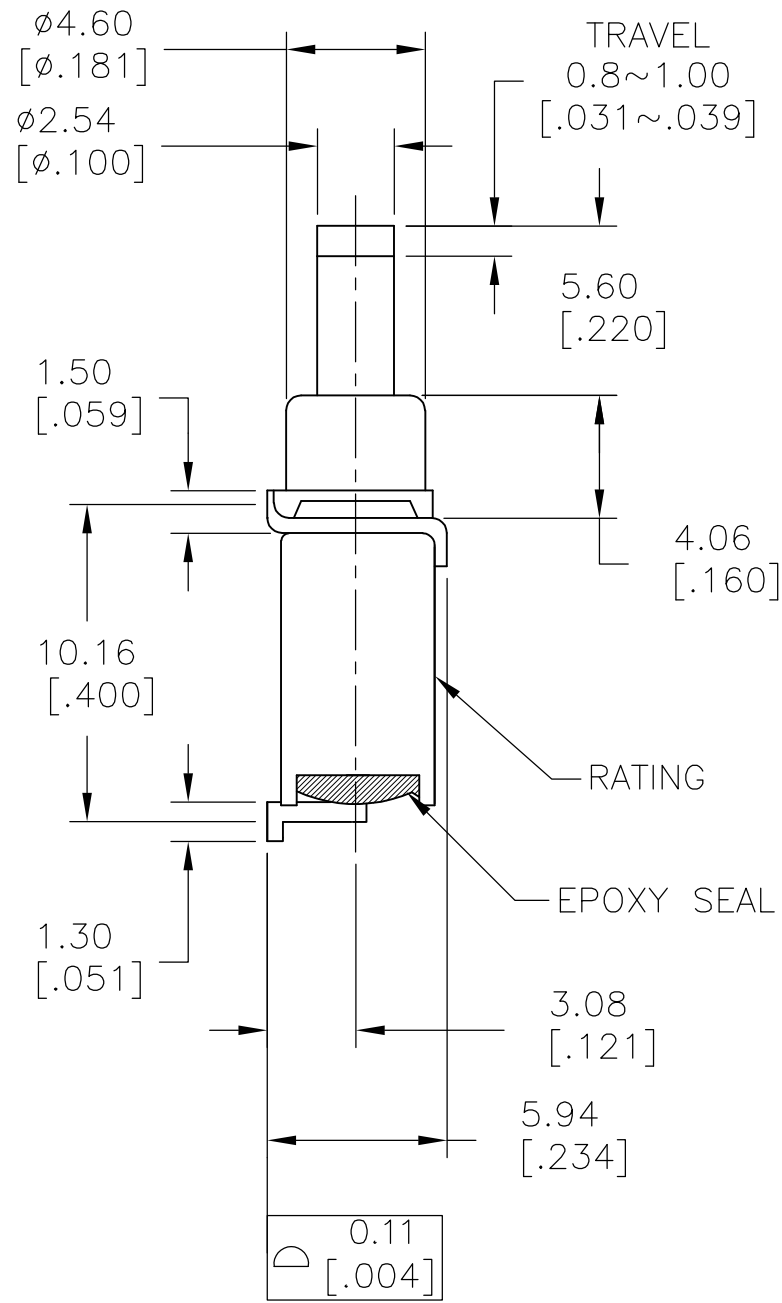
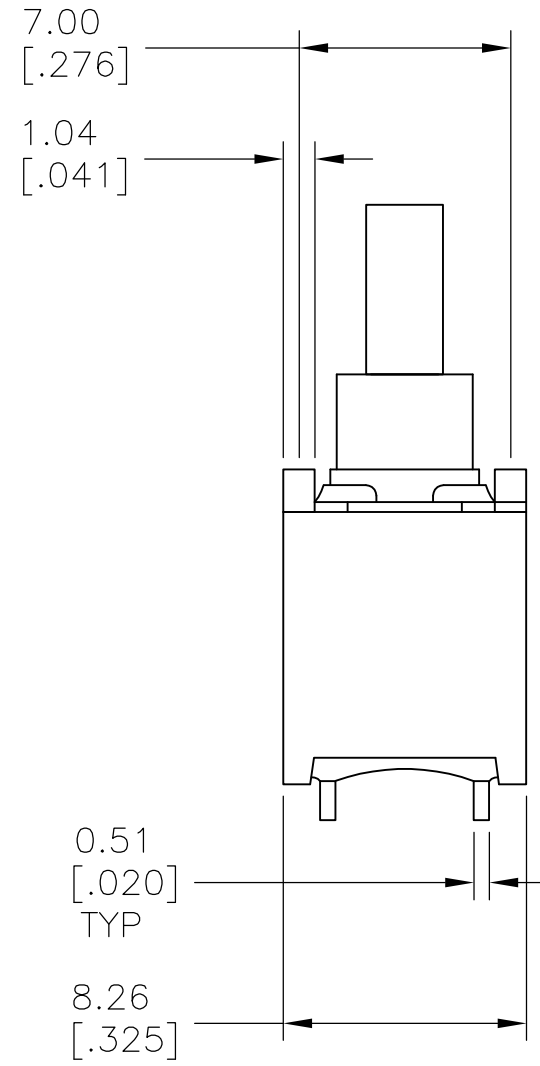


THIS DRAWING IS UNPUBLISHED. RELEASED FOR PUBLICATION
 © COPYRIGHT - By - ALL RIGHTS RESERVED.

REVISIONS					
P	LTR	DESCRIPTION	DATE	DWN	APVD
A1		REVISED PER ECR-16-011788	22AUG2016	RS	SS

SPECIFICATIONS

MECHANICAL LIFE: 50,000 MAKE AND BREAK CYCLES.
 CONTACT RESISTANCE: 20 mΩ MAX. INITIAL @ 2-4VDC
 100mA FOR GOLD PLATED CONTACTS.
 INSULATION RESISTANCE: 1,000 MΩ MIN.
 DIELECTRIC STRENGTH: 1,000V RMS MIN @SEA LEVEL.
 OPERATING TEMPERATURE: -30°C TO 85°C.
 CONTACT RATING: 0.4VA MAX @ 20V MAX (AC OR DC)
 SEALED PER IP67.



P.C. MOUNTING

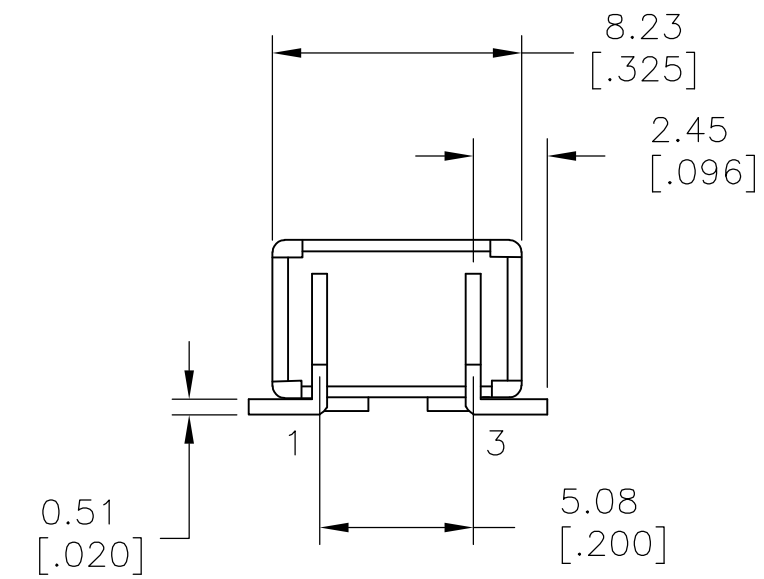
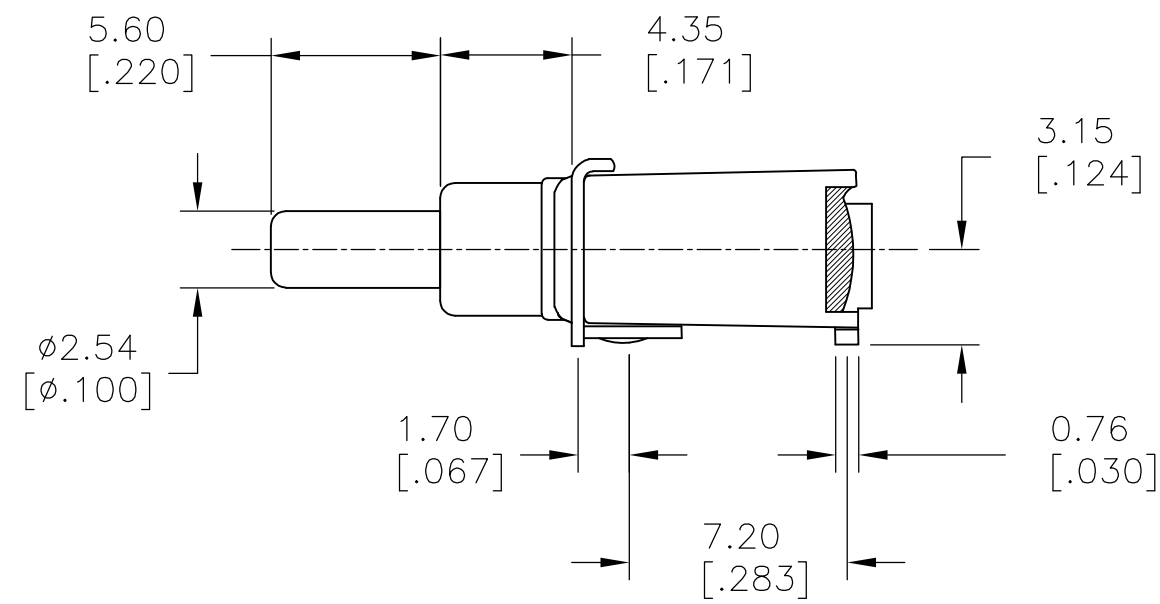
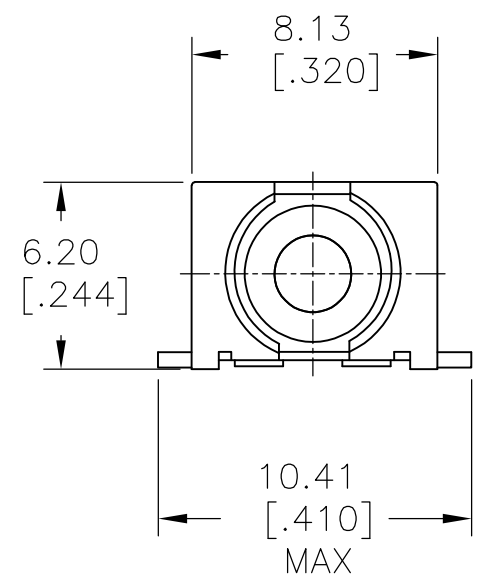
VERTICAL LAYOUT

VERTICAL, SMT	1-3	-	OFF-(ON)	1	1	PBS9MZRES	2267130-4
RIGHT ANGLE, SMT	1-3	-	OFF-(ON)	1	1	PBS9MTRES	2267130-3
VERTICAL, SMT	2-3	2-1	ON-(ON)	1	1	PBS8MZRES	2267130-2
RIGHT ANGLE, SMT	2-3	2-1	ON-(ON)	1	1	PBS8MTRES	2267130-1
TERMINATION	POS 2	POS 1	FUNCTION	THROWS	POLES	TE DESCRIPTIVE PART NUMBER	TE PART NUMBER

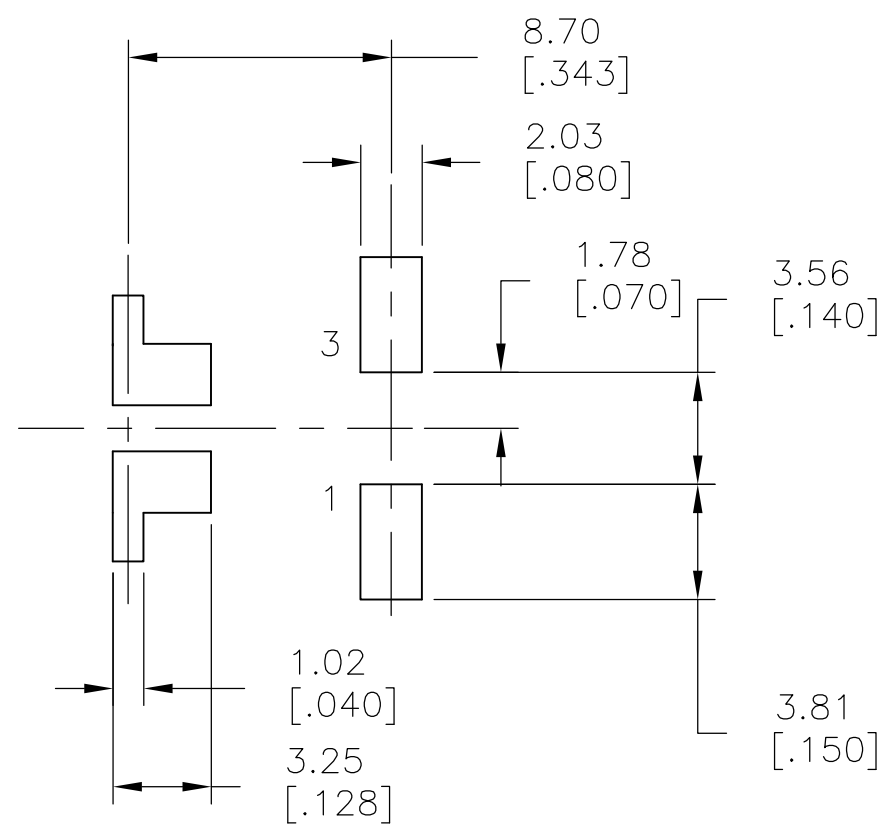
THIS DRAWING IS A CONTROLLED DOCUMENT.		DWN NAGALAKSHMI K 20JUN2014	TE TE Connectivity	
DIMENSIONS: mm [INCHES]		CHK HILL RYAN 20JUN2014		
TOLERANCES UNLESS OTHERWISE SPECIFIED:		APVD HILL RYAN 20JUN2014	NAME SUBMINIATURE PUSHBUTTON SWITCH, SEALED, SMT	
0 PLC ± - 1 PLC ± 0.40[.015] 2 PLC ± 0.25[.010] 3 PLC ± - 4 PLC ± - ANGLES ± 5°		PRODUCT SPEC	SIZE A2	
MATERIAL		APPLICATION SPEC	CAGE CODE -	DRAWING NO C=2267130
FINISH		WEIGHT	RESTRICTED TO -	SCALE 1:1
CUSTOMER DRAWING			SHEET 1 of 2	REV A1

THIS DRAWING IS UNPUBLISHED. RELEASED FOR PUBLICATION
 © COPYRIGHT - By - ALL RIGHTS RESERVED.

REVISIONS				
P	LTR	DESCRIPTION	DATE	APVD
-	-	SEE SHEET 1	-	-



RIGHT ANGLE LAYOUT



P.C. MOUNTING

THIS DRAWING IS A CONTROLLED DOCUMENT.		DWN NAGALAKSHMI K 20JUN2014		
DIMENSIONS: mm [INCHES]		CHK HILL RYAN 20JUN2014		
TOLERANCES UNLESS OTHERWISE SPECIFIED:		APVD HILL RYAN 20JUN2014	NAME SUBMINIATURE PUSHBUTTON SWITCH, SEALED, SMT	
0 PLC ± - 1 PLC ± 0.40[.015] 2 PLC ± 0.25[.010] 3 PLC ± - 4 PLC ± - ANGLES ± 5°		PRODUCT SPEC -	SIZE A2	CAGE CODE -
MATERIAL		FINISH	WEIGHT -	DRAWING NO C=2267130
			CUSTOMER DRAWING	RESTRICTED TO -
			SCALE 1:1	SHEET 2 OF 2
				REV A1