



Chipsmall Limited consists of a professional team with an average of over 10 year of expertise in the distribution of electronic components. Based in Hongkong, we have already established firm and mutual-benefit business relationships with customers from,Europe,America and south Asia,supplying obsolete and hard-to-find components to meet their specific needs.

With the principle of “Quality Parts,Customers Priority,Honest Operation,and Considerate Service”,our business mainly focus on the distribution of electronic components. Line cards we deal with include Microchip,ALPS,ROHM,Xilinx,Pulse,ON,Everlight and Freescale. Main products comprise IC,Modules,Potentiometer,IC Socket,Relay,Connector.Our parts cover such applications as commercial,industrial, and automotives areas.

We are looking forward to setting up business relationship with you and hope to provide you with the best service and solution. Let us make a better world for our industry!



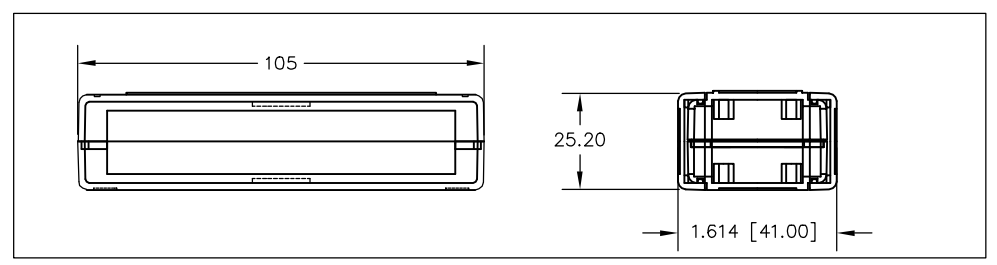
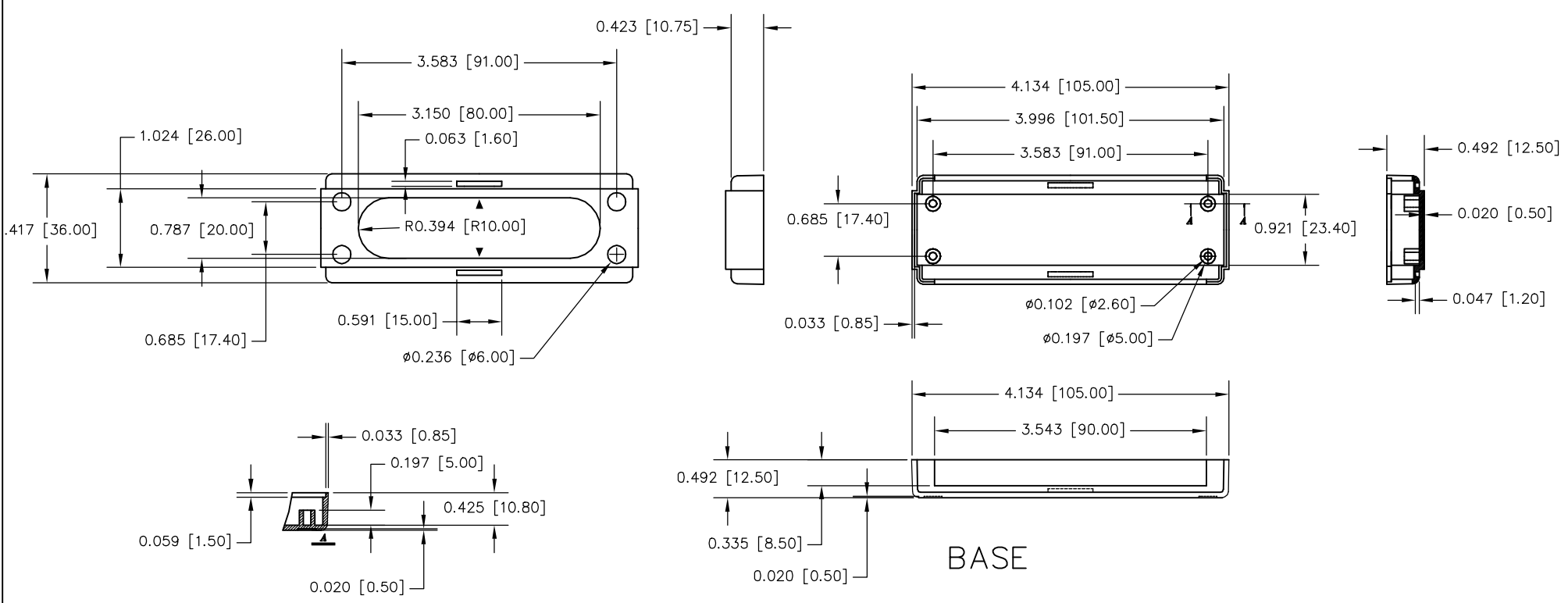
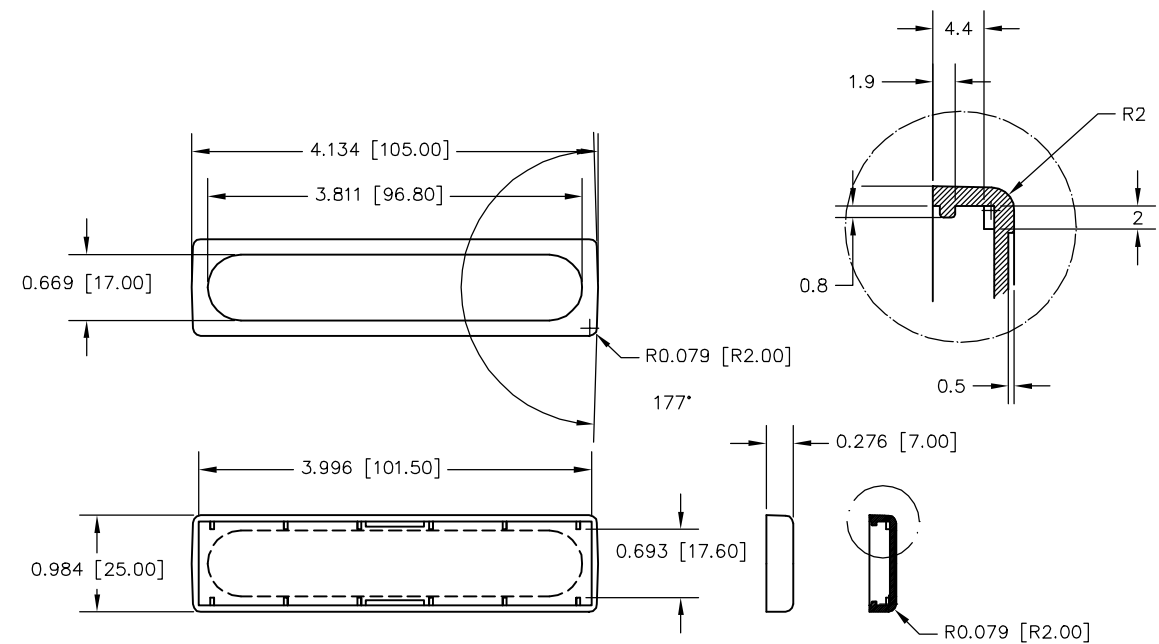
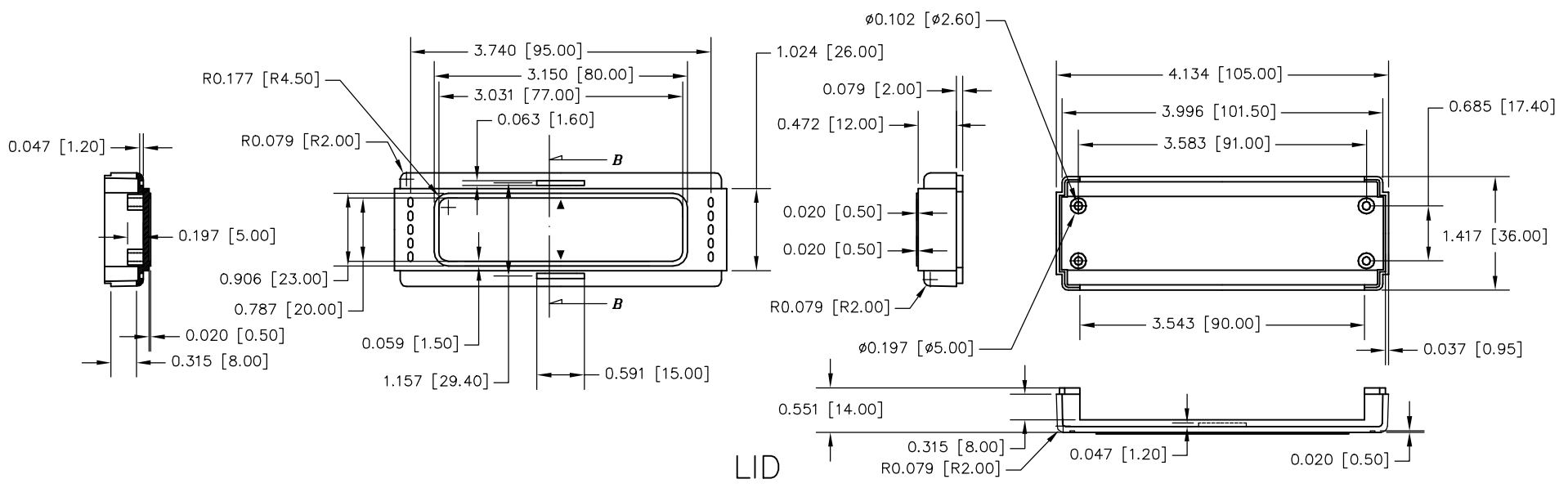
Contact us

Tel: +86-755-8981 8866 Fax: +86-755-8427 6832

Email & Skype: info@chipsmall.com Web: www.chipsmall.com

Address: A1208, Overseas Decoration Building, #122 Zhenhua RD., Futian, Shenzhen, China





MATERIAL : HIGH IMPACT UL- 94-HB ABS .
 COLOR:
 LID & BASE ARE MOLDED IN LIGHT GREY COLOR
 FRONT & END PANELS
 ARE MOLDED IN DARK GREY COLOR
 FINISH:
 FRONT & END PANELS ARE SMOOTH WITH TEXTURE ONLY IN THE RECESS
 AREA.
 LID & BASE ARE SMOOTH WITH TEXTURE ONLY IN OUTSIDE RAISED AREA.
 FOUR (4) INTERNAL BOSSES ON BASE & LID ARE
 AVAILABLE FOR PCB ASSEMBLY. USE M2.5 OR
 #4 STD SHEET METAL SCREWS.
 ALL DIMENSIONAL TOLERANCES ARE +/-0.15
 RUBBER FEET PART NUMBER ----- AVAILABLE AS ACCESSORY

TOLERANCES:		ITEM REQ'D.	PART NO.	DESCRIPTION
±0.05 BETWEEN HOLE CENTERS	FINISH: NOTED	MAT: NOTED	SCALE:	NAME:
±0.15 FROM SHEARED EDGE	DR. RD 10-13-08	CH.	BUD	SNAP IN PLASTIC CASE
±0.32 FROM A BENT SURFACE	APP.		BUD INDUSTRIES, INC	DWG. NO. PC-11475
±0.63 BETWEEN ASSEMBLED SURFACES			WILLOUGHBY, OHIO	
UNLESS OTHERWISE SPECIFIED				