



Chipsmall Limited consists of a professional team with an average of over 10 year of expertise in the distribution of electronic components. Based in Hongkong, we have already established firm and mutual-benefit business relationships with customers from,Europe,America and south Asia,supplying obsolete and hard-to-find components to meet their specific needs.

With the principle of “Quality Parts,Customers Priority,Honest Operation,and Considerate Service”,our business mainly focus on the distribution of electronic components. Line cards we deal with include Microchip,ALPS,ROHM,Xilinx,Pulse,ON,Everlight and Freescale. Main products comprise IC,Modules,Potentiometer,IC Socket,Relay,Connector.Our parts cover such applications as commercial,industrial, and automotives areas.

We are looking forward to setting up business relationship with you and hope to provide you with the best service and solution. Let us make a better world for our industry!



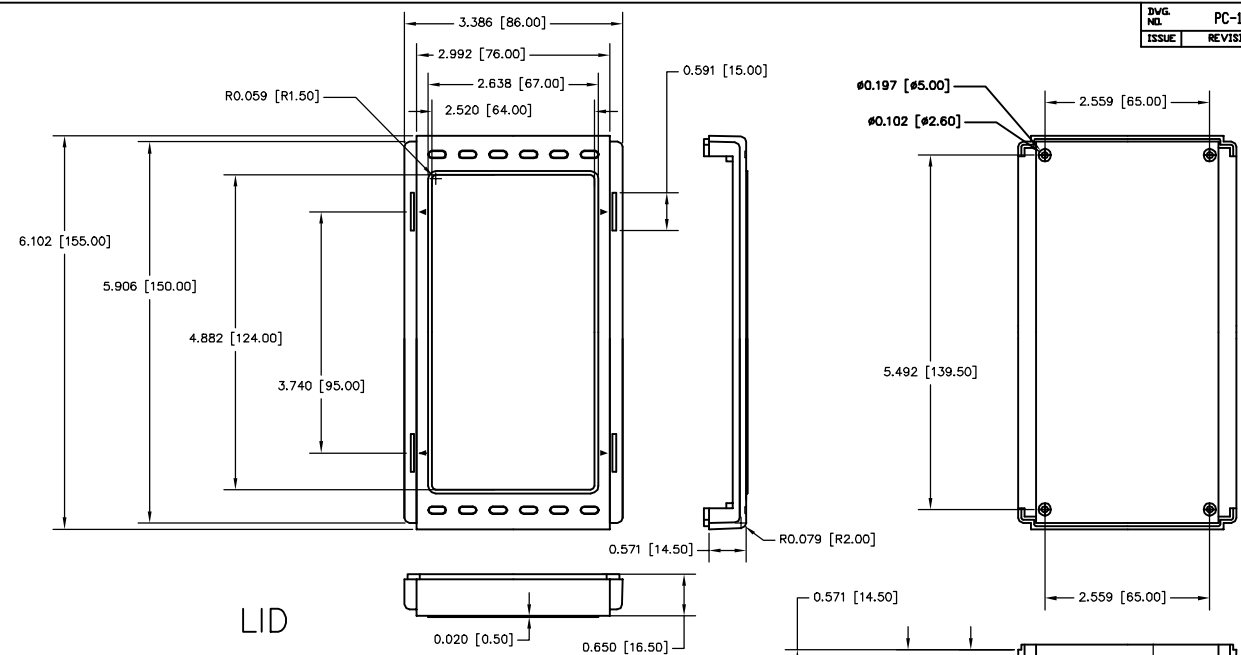
## Contact us

Tel: +86-755-8981 8866 Fax: +86-755-8427 6832

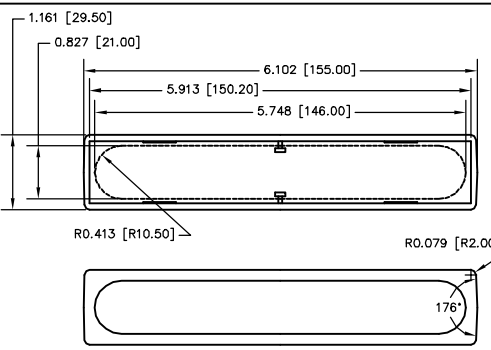
Email & Skype: info@chipsmall.com Web: www.chipsmall.com

Address: A1208, Overseas Decoration Building, #122 Zhenhua RD., Futian, Shenzhen, China



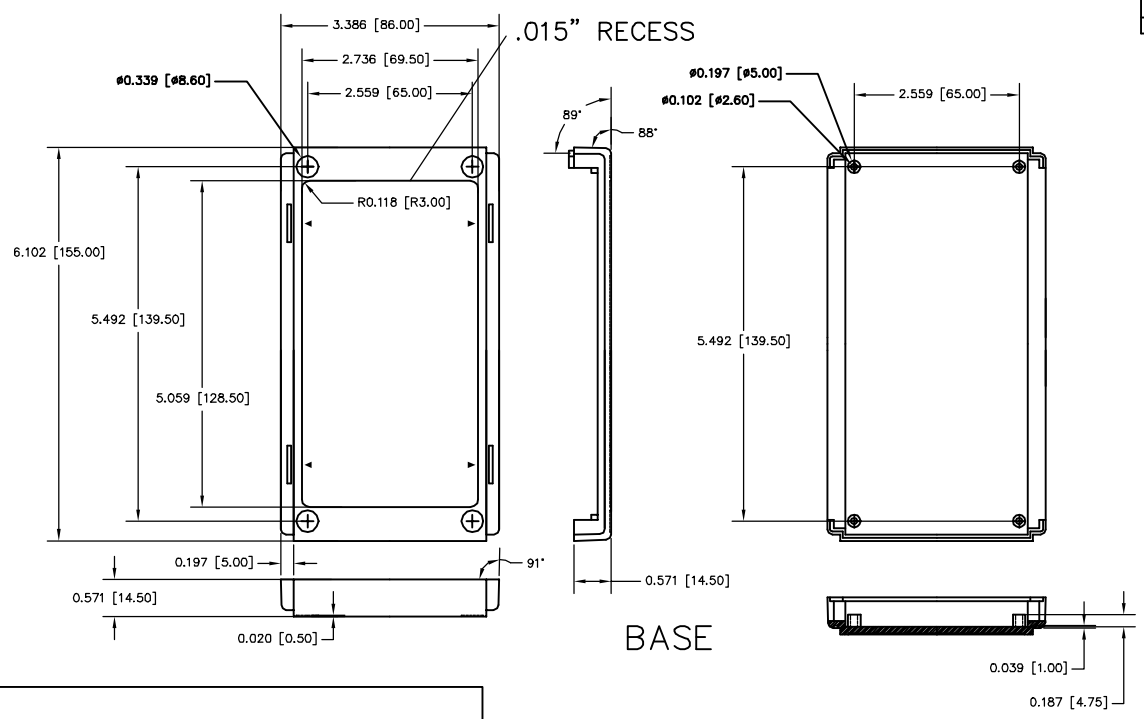


LID

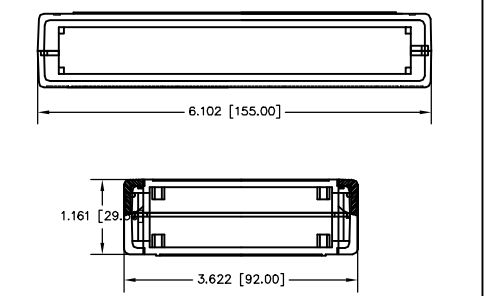


PANEL

TOLERANCES:		ITEM REQ'D	PART NO.	DESCRIPTION
±.005 BETWEEN HOLE CENTERS	MAT. AS NOTED	SCALE:	NAME:	PLASTICASE STYLE I
±.005 FROM DIMENSIONED EDGE	FINISH AS NOTED	DR. RJ 10-13-08	BJID	6.10 X 3.62 X 1.16
±.005 FROM A BENT SURFACE	DR. RJ 10-13-08	CH.	BJID INDUSTRIES, INC.	DWG NO. PC-11477
±.005 BETWEEN ASSEMBLED SURFACES	APP.		VILLIUGHBY, OHIO	ISSUE REVISIONS
UNLESS OTHERWISE SPECIFIED				



BASE



MATERIAL : HIGH IMPACT UL-94-HB ABS.  
 COLOR:  
 LID & BASE ARE MOLDED IN LIGHT GREY COLOR  
 FRONT & END PANELS  
 ARE MOLDED IN DARK GREY COLOR  
 FINISH:  
 FRONT & END PANELS ARE SMOOTH WITH TEXTURE ONLY IN THE RECESS AREA.  
 LID & BASE ARE SMOOTH WITH TEXTURE ONLY IN OUTSIDE RAISED AREA.  
 FOUR (4) INTERNAL BOSSES ON BASE & LID ARE  
 AVAILABLE FOR PCB ASSEMBLY. USE M2.5 OR  
 #4 STD SHEET METAL SCREWS.  
 ALL DIMENSIONAL TOLERANCES ARE ±.015  
 RUBBER FEET PART NUMBER ----- AVAILABLE AS ACCESSORY

TOLERANCES:		ITEM REQ'D	PART NO.	DESCRIPTION
±.005 BETWEEN HOLE CENTERS	MAT. AS NOTED	SCALE:	NAME:	PLASTICASE STYLE I
±.005 FROM DIMENSIONED EDGE	FINISH AS NOTED	DR. RJ 10-13-08	BJID	6.10 X 3.62 X 1.16
±.005 FROM A BENT SURFACE	DR. RJ 10-13-08	CH.	BJID INDUSTRIES, INC.	DWG NO. PC-11477
±.005 BETWEEN ASSEMBLED SURFACES	APP.		VILLIUGHBY, OHIO	ISSUE REVISIONS
UNLESS OTHERWISE SPECIFIED				