



Chipsmall Limited consists of a professional team with an average of over 10 year of expertise in the distribution of electronic components. Based in Hongkong, we have already established firm and mutual-benefit business relationships with customers from,Europe,America and south Asia,supplying obsolete and hard-to-find components to meet their specific needs.

With the principle of “Quality Parts,Customers Priority,Honest Operation,and Considerate Service”,our business mainly focus on the distribution of electronic components. Line cards we deal with include Microchip,ALPS,ROHM,Xilinx,Pulse,ON,Everlight and Freescale. Main products comprise IC,Modules,Potentiometer,IC Socket,Relay,Connector.Our parts cover such applications as commercial,industrial, and automotives areas.

We are looking forward to setting up business relationship with you and hope to provide you with the best service and solution. Let us make a better world for our industry!



## Contact us

Tel: +86-755-8981 8866 Fax: +86-755-8427 6832

Email & Skype: info@chipsmall.com Web: www.chipsmall.com

Address: A1208, Overseas Decoration Building, #122 Zhenhua RD., Futian, Shenzhen, China

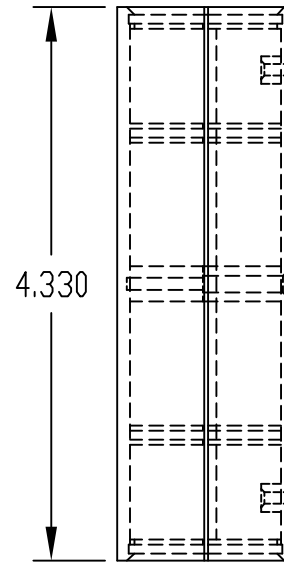
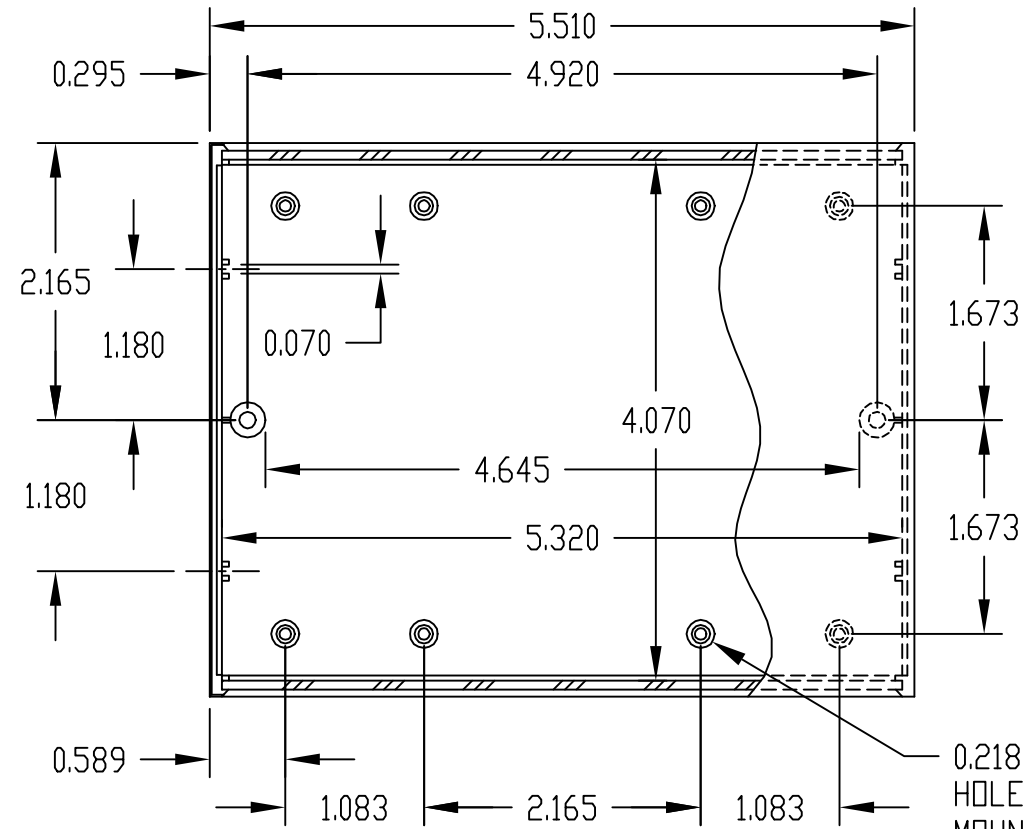


PART NAME

PLASTICASE (STYLE D)

PART No.

PC-11480 & PC-11480-A & PC-11480-LG & PC-11480-LGA



**MATERIAL & FINISH:**

(NO SUFFIX) UL94V-0 FLAME RETARDANT ABS  
DARK GRAY PLASTIC COVERS WITH  
LIGHT GRAY PLASTIC PANELS.

(SUFFIX -A) UL94V-0 FLAME RETARDANT ABS  
DARK GRAY PLASTIC COVERS WITH  
NATURAL FINISH ALUMINUM PANELS.

(SUFFIX -LG) HIGH-IMPACT ABS  
LIGHT GRAY PLASTIC COVERS WITH  
BLACK PLASTIC PANELS.

(SUFFIX -LGA) HIGH-IMPACT ABS  
LIGHT GRAY PLASTIC COVERS WITH  
NATURAL FINISH ALUMINUM PANELS.

TWO (2) M3 x 0.812" LG. SCREWS  
SUPPLIED FOR ASSEMBLY.

NOTE: ALL DIMENSIONS HAVE ±0.015 TOLERANCE  
UNLESS OTHERWISE SPECIFIED

0.218 DIA. BOSS WITH 0.090 DIA.  
HOLE x 0.218 DEEP - (8) PLACES  
MOUNTING BOSSES USE EITHER M2.5 METRIC  
OR #4 STD. SHEET METAL SCREWS x 0.188" LG.  
(NOT SUPPLIED)

