

Chipsmall Limited consists of a professional team with an average of over 10 year of expertise in the distribution of electronic components. Based in Hongkong, we have already established firm and mutual-benefit business relationships with customers from,Europe,America and south Asia,supplying obsolete and hard-to-find components to meet their specific needs.

With the principle of “Quality Parts,Customers Priority,Honest Operation,and Considerate Service”,our business mainly focus on the distribution of electronic components. Line cards we deal with include Microchip,ALPS,ROHM,Xilinx,Pulse,ON,Everlight and Freescale. Main products comprise IC,Modules,Potentiometer,IC Socket,Relay,Connector.Our parts cover such applications as commercial,industrial, and automotives areas.

We are looking forward to setting up business relationship with you and hope to provide you with the best service and solution. Let us make a better world for our industry!



Contact us

Tel: +86-755-8981 8866 Fax: +86-755-8427 6832

Email & Skype: info@chipsmall.com Web: www.chipsmall.com

Address: A1208, Overseas Decoration Building, #122 Zhenhua RD., Futian, Shenzhen, China

PART NAME

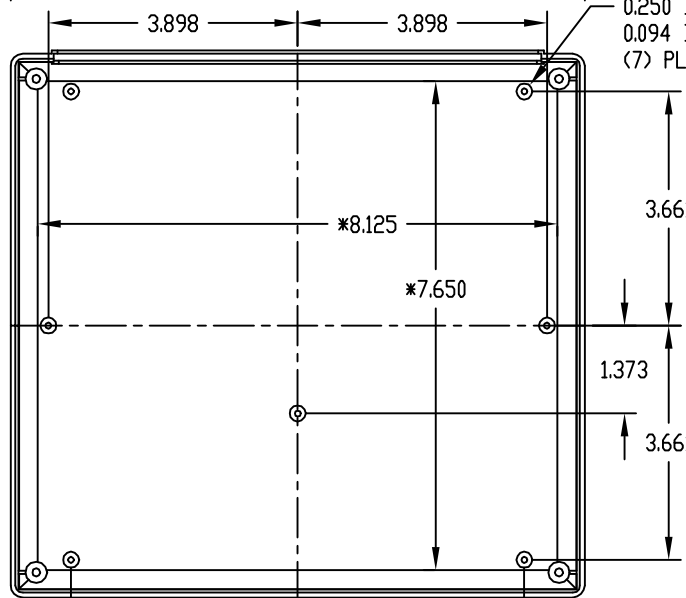
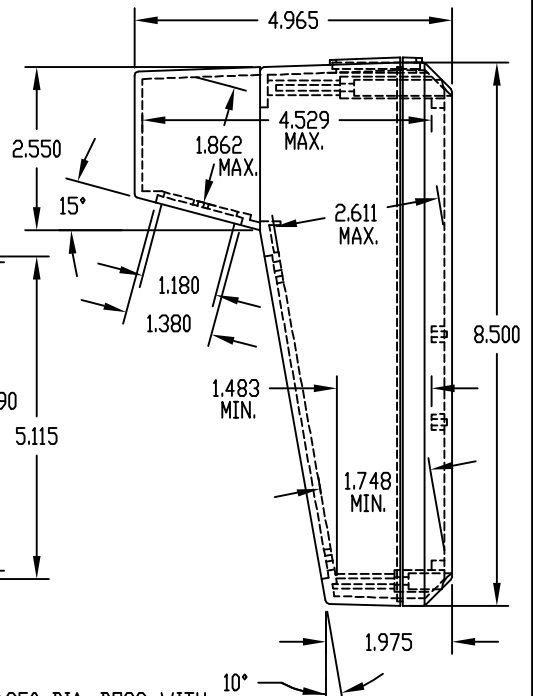
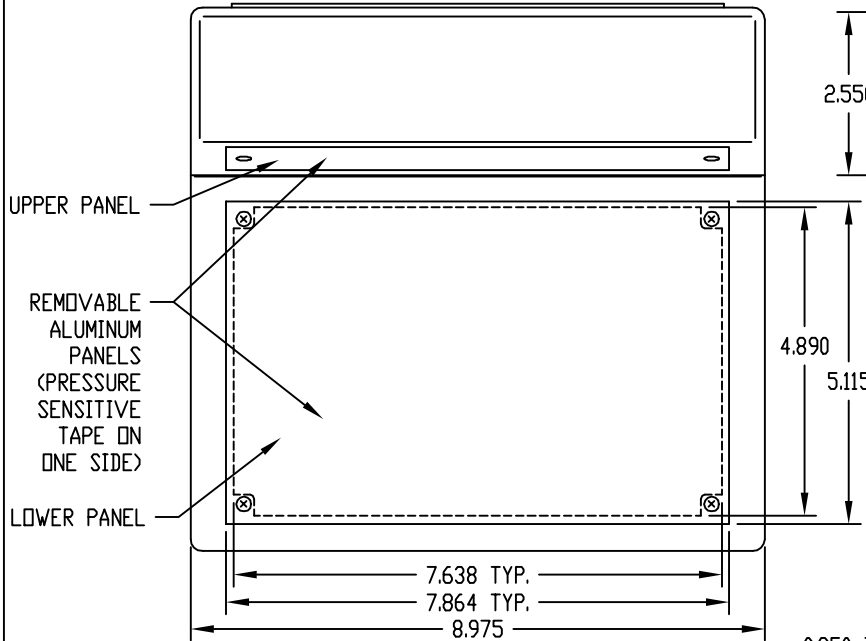
PLASTICASE

PART No.

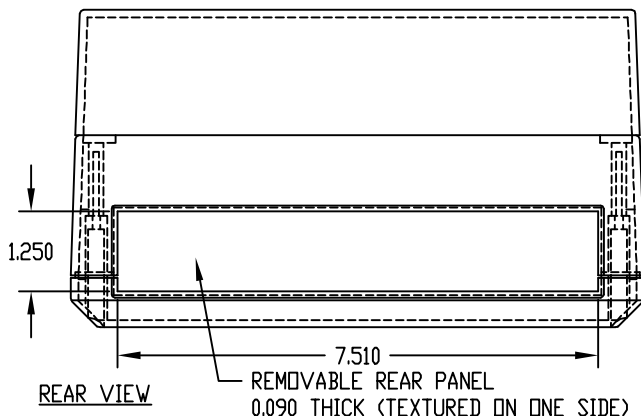
PC-11495

MATERIAL: BODY TOP & BOTTOM, REAR PANEL _____ ABS THERMOPLASTIC (UL94-HB RATED)
 UPPER SLOPE PANEL _____ 0.063 THK. ALUMINUM
 LOWER SLOPE PANEL _____ 0.100 THK. ALUMINUM

FINISH: BODY TOP & BOTTOM _____ LIGHT GRAY
 REAR PANEL _____ DARK GRAY
 SLOPE PANELS _____ NATURAL



BODY BOTTOM (WITH BODY TOP REMOVED)



FOUR (4) M3 x 0.630" LG. SCREWS SUPPLIED FOR ASSEMBLING BODY TOP TO BOTTOM

SIX (6) M3 x 0.315" LG. CSK. SCREWS SUPPLIED FOR ASSEMBLING SLOPE PANELS TO BODY TOP

FOUR (4) RUBBER STICK-ON FEET SUPPLIED

MOUNTING BOSSES USE EITHER M2.5 METRIC OR #4 STD. SHEET METAL SCREWS x 0.188" LG. (NOT SUPPLIED)

NOTE: ALL DIMENSIONS HAVE ±0.015 TOLERANCE UNLESS OTHERWISE SPECIFIED

* THESE INSIDE DIMENSIONS ARE TAKEN FROM CLOSED END OF THE BOX