



Chipsmall Limited consists of a professional team with an average of over 10 year of expertise in the distribution of electronic components. Based in Hongkong, we have already established firm and mutual-benefit business relationships with customers from,Europe,America and south Asia,supplying obsolete and hard-to-find components to meet their specific needs.

With the principle of “Quality Parts,Customers Priority,Honest Operation,and Considerate Service”,our business mainly focus on the distribution of electronic components. Line cards we deal with include Microchip,ALPS,ROHM,Xilinx,Pulse,ON,Everlight and Freescale. Main products comprise IC,Modules,Potentiometer,IC Socket,Relay,Connector.Our parts cover such applications as commercial,industrial, and automotives areas.

We are looking forward to setting up business relationship with you and hope to provide you with the best service and solution. Let us make a better world for our industry!



Contact us

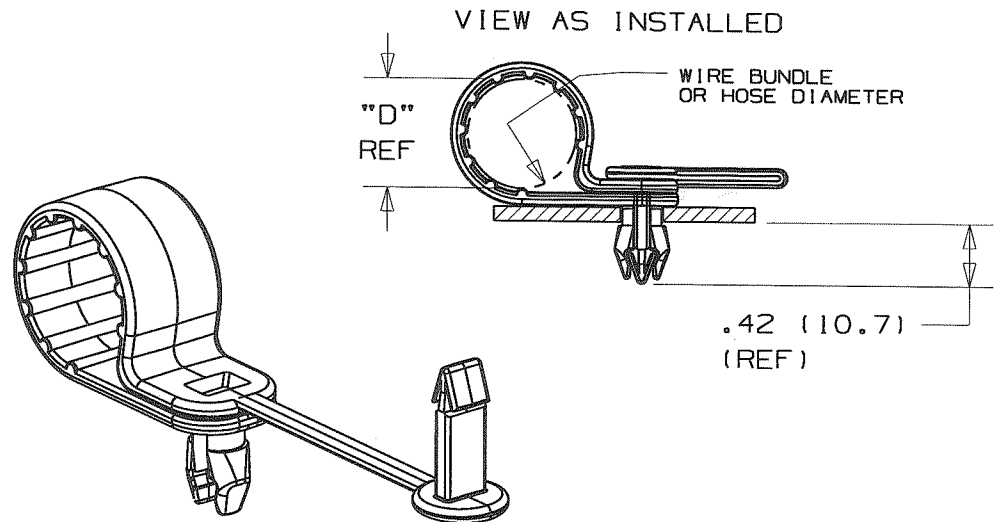
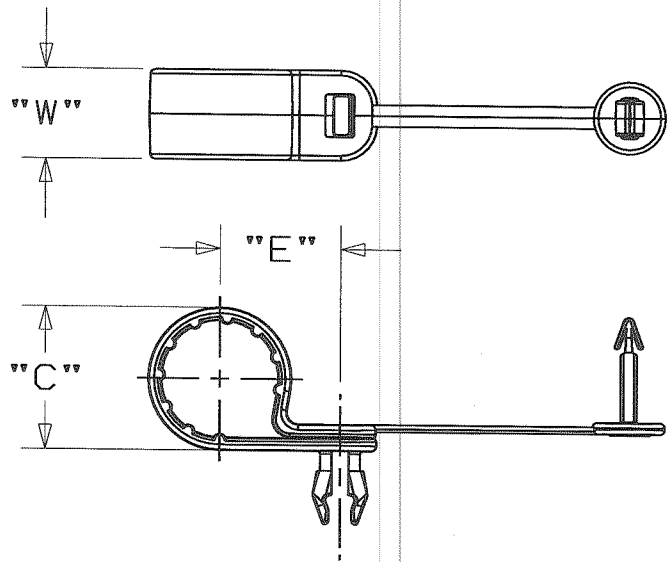
Tel: +86-755-8981 8866 Fax: +86-755-8427 6832

Email & Skype: info@chipsmall.com Web: www.chipsmall.com

Address: A1208, Overseas Decoration Building, #122 Zhenhua RD., Futian, Shenzhen, China



THIS COPY IS PROVIDED ON A RESTRICTED BASIS AND IS NOT TO BE USED IN ANY WAY DETRIMENTAL TO THE INTERESTS OF PANDUIT CORP.



SCALE: FULL

NOTES:

1. SEE CURRENT PRICE SHEET FOR PART NUMBER SUFFIX DESIGNATION FOR PACKAGE SIZE AND COLOR.
2. MOUNTING HOLE DIAMETER:
1/4" CLEARANCE - .281" [7mm]
PANEL THICKNESS:
.125" [3.2mm] NOMINAL
3. SPECIFIED DIAMETER IS CABLE OR HOSE THAT IS BEING INSTALLED.

| PANDUIT PART NO. (SEE NOTE 1) | DIMENSIONS | | | WEIGHT lbs / [g] 100/ pcs |
|----------------------------------|---------------|-----------------------------------|---------------|-----------------------------------|
| | "C" | "D" DIAMETER REF SEE NOTE 3 | "E" (REF.) | |
| PC038-H25D-_- | .58 [14.7] | .38 [9.5] | .64 [16.3] | .74 / [340] |
| PC050-H25D-_- | .70 [17.8] | .50 [12.7] | .71 [17.9] | .83 / [380] |
| PC062-H25D-_- | .82 [20.8] | .62 [15.8] | .77 [19.5] | .92 / [420] |
| PC075-H25D-_- | .95 [24.1] | .75 [19.1] | .83 [21.1] | 1.02 / [465] |
| PC087-H25D-_- | 1.07 [27.2] | .87 [22.1] | .89 [22.7] | 1.11 / [505] |
| PC100-H25D-_- | 1.20 [30.5] | 1.00 [25.4] | .96 [24.3] | 1.21 / [550] |
| PC112-H25D-_- | 1.33 [33.8] | 1.12 [28.5] | 1.02 [25.8] | 1.29 / [585] |
| PC125-H25D-_- | 1.45 [36.8] | 1.25 [31.8] | 1.08 [27.4] | 1.37 / [620] |

DIMENSIONS IN BRACKETS ARE METRIC [mm]

CAD FILENAME/LAYERS G035971D_DC_GB2320CA/00B

PANDUIT CORP. TINLEY PARK, ILLINOIS

PAN-CLAMP
(PC___-H25D-_-)

UNLESS OTHERWISE SPECIFIED,
DIMENSIONAL TOLERANCES ARE:
(.X) ±0.05 [1.3] (.XXX) ±0.010 [0.25]
(.XX) ±0.02 [0.5] ANGLES ± 5°

UNLESS OTHERWISE SPECIFIED,
ALL DIMENSIONS ARE GIVEN
IN INCHES, THIRD ANGLE PROJECTION.

| REV | DATE | BY | CHK | DESCRIPTION | ECN | R | CUST | SUP |
|-----|----------|-----|-----|--|----------|-----|------|-----|
| 00B | 02/24/09 | GDH | | CHANGED REVISION STYLE AND FILE NAME FORMAT. ADDED COLUMN "C". | GB2320CA | 00B | | |
| 5 | 5/9/01 | KLN | | UPDATED PART WEIGHTS, E, AND W DIMENSIONS | GB2320CA | 5 | | |
| 4 | 3/22/01 | KLN | | UPDATED PRODUCT PART NUMBERS | GB2320CA | 4 | | |

DRAWN BY JAD

MAT'L:

DATE 4-26-00

WEATHER RESISTANT
IMPACT MODIFIED
NYLON 6/6

SCALE 3/4

DRAWING NO.

GB2320CA

DWG

A
SIZE