



Chipsmall Limited consists of a professional team with an average of over 10 year of expertise in the distribution of electronic components. Based in Hongkong, we have already established firm and mutual-benefit business relationships with customers from,Europe,America and south Asia,supplying obsolete and hard-to-find components to meet their specific needs.

With the principle of “Quality Parts,Customers Priority,Honest Operation,and Considerate Service”,our business mainly focus on the distribution of electronic components. Line cards we deal with include Microchip,ALPS,ROHM,Xilinx,Pulse,ON,Everlight and Freescale. Main products comprise IC,Modules,Potentiometer,IC Socket,Relay,Connector.Our parts cover such applications as commercial,industrial, and automotives areas.

We are looking forward to setting up business relationship with you and hope to provide you with the best service and solution. Let us make a better world for our industry!



Contact us

Tel: +86-755-8981 8866 Fax: +86-755-8427 6832

Email & Skype: info@chipsmall.com Web: www.chipsmall.com

Address: A1208, Overseas Decoration Building, #122 Zhenhua RD., Futian, Shenzhen, China



ALL MATERIALS AND FINISHES SHALL BE COMPLIANT TO RoHS 2011/65/EU DIRECTIVE.
CERTIFICATE OF COMPLIANCE REQUIRED

PC2430

2 AXIS, 1 BUTTON PENDANT CONTROLLER CONSISTING OF:

- (1) ERGONOMIC, HIGH IMPACT PLASTIC HOUSING
- (1) 2 AXIS THUMBSTICK
- (1) MOMENTARY PUSHBUTTON WITH LED

HID USB OUTPUT IS DEFINED AS A "GAME CONTROLLER" WITH A PID OF 0X005e AND A VID OF 0X68E.

USB 1.0, USB 2.0 COMPATIBLE.

MECHANICAL SPECIFICATIONS

X / Y AXES

OPERATING FORCE: 3.1N ± 0.5N
 MAX VERTICAL LOAD: 200N
 MAX HORIZONTAL LOAD: 150N
 ANGLE OF MOVEMENT: 50°
 EXPECTED LIFE: 1M CYCLES

MOMENTARY SWITCHES

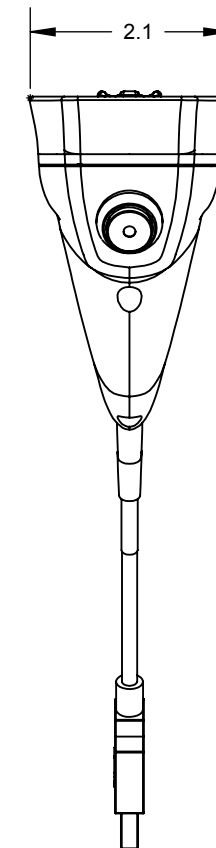
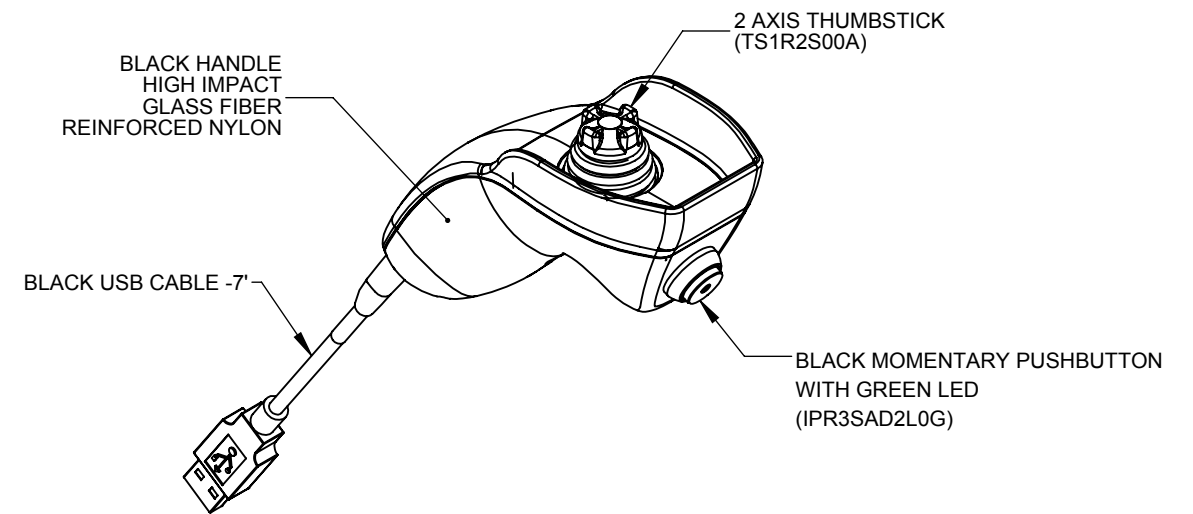
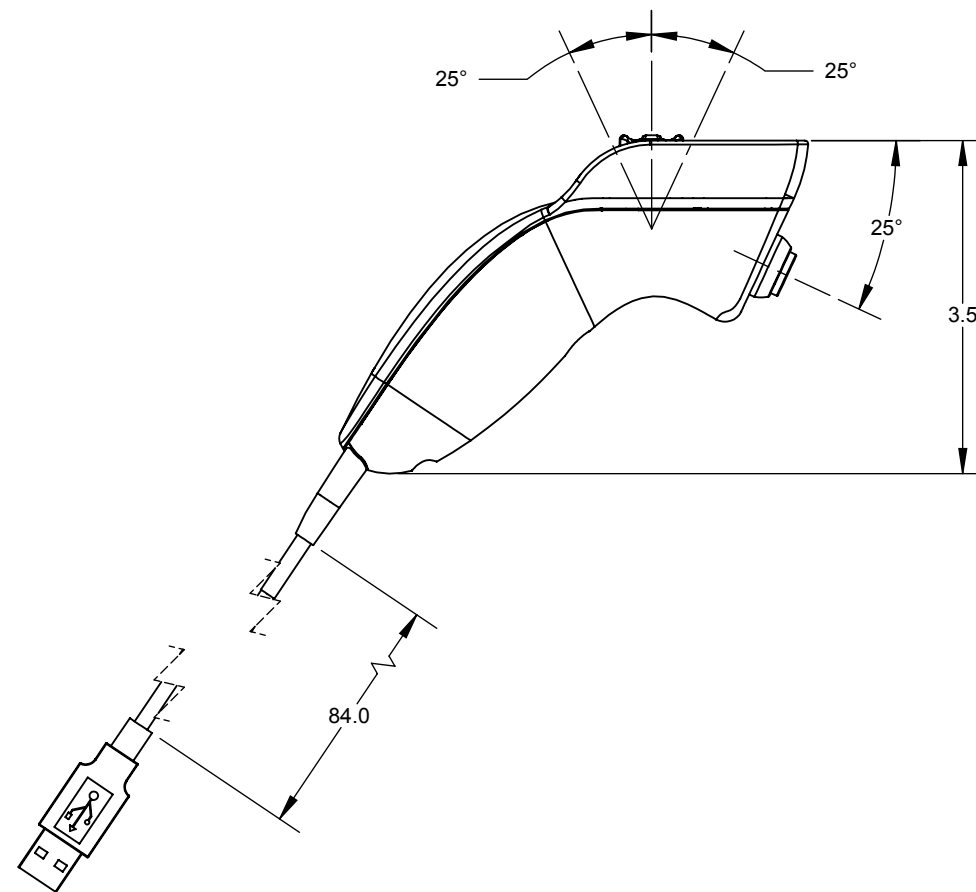
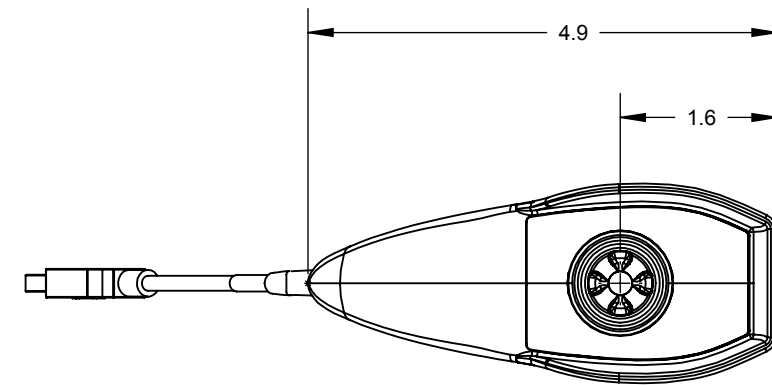
OPERATING FORCE: 4.0N ± 3.0N
 EXPECTED LIFE: 1M CYCLES

ELECTRICAL SPECIFICATIONS

SUPPLY VOLTAGE: 5.0V ± .25V
 SUPPLY CURRENT: 60mA(TYPICAL) @ 5V

ENVIRONMENTAL SPECIFICATIONS

ENVIRONMENTAL SEALING: IP54
 OPERATING TEMPERATURE: -40°C to 85°C



REV.	DESCRIPTION	DATE	ECN
A	INITIAL RELEASE	10/17/13	-
B	UPDATED PRD FORMAT, ADDED USB HEADER, HEXFILE NUMBER, AND RESOLUTION	10/13/15	2742
C	ADDED APEM PNS, UPDATED PB SPECS	01/27/16	3965

CUSTOMER APPROVALS

COMPANY: _____

CUSTOMER APPROVAL SIGNATURE _____ DATE _____

PRINTED NAME _____

		NUMBER: PC2430	REV: C
		DESCRIPTION: 2 AXIS 1 BUTTON PENDANT CONTROLLER	
<small>UNLESS OTHERWISE SPECIFIED: DIMENSIONS ARE IN INCHES TOL. ON ANGLE ± 1.0° .XX ± 0.01 .XXX ± 0.003 .XXXX ± 0.001 INTERPRET DIM AND TOL PER ANSI Y14.5</small>		TYPE: M	
DRAWN BY: GT DATE: 12/17/15	CHECKED BY: --- DATE: --	DESIGNED BY: --- DATE: --	SIZE: B SCALE: 1:2

3RD ANGLE PROJECTION