



Chipsmall Limited consists of a professional team with an average of over 10 year of expertise in the distribution of electronic components. Based in Hongkong, we have already established firm and mutual-benefit business relationships with customers from,Europe,America and south Asia,supplying obsolete and hard-to-find components to meet their specific needs.

With the principle of “Quality Parts,Customers Priority,Honest Operation,and Considerate Service”,our business mainly focus on the distribution of electronic components. Line cards we deal with include Microchip,ALPS,ROHM,Xilinx,Pulse,ON,Everlight and Freescale. Main products comprise IC,Modules,Potentiometer,IC Socket,Relay,Connector.Our parts cover such applications as commercial,industrial, and automotives areas.

We are looking forward to setting up business relationship with you and hope to provide you with the best service and solution. Let us make a better world for our industry!



Contact us

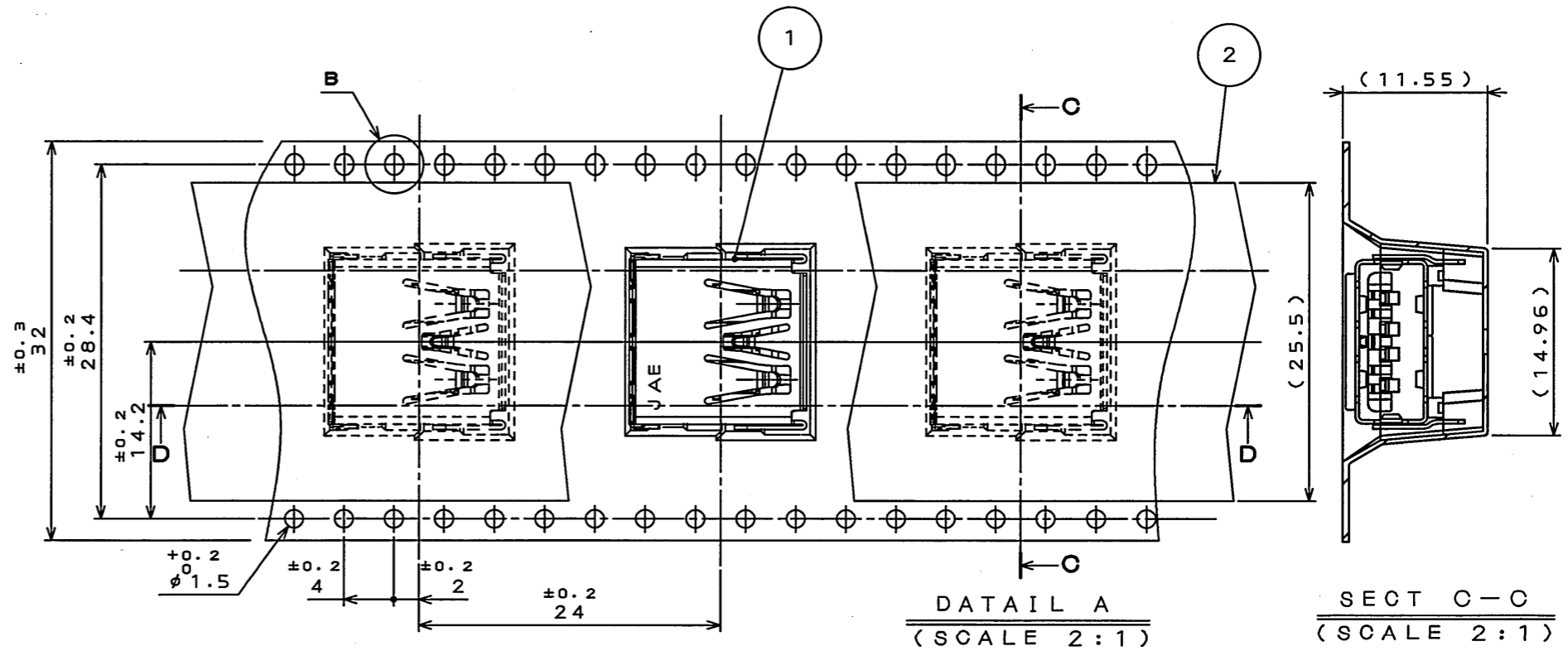
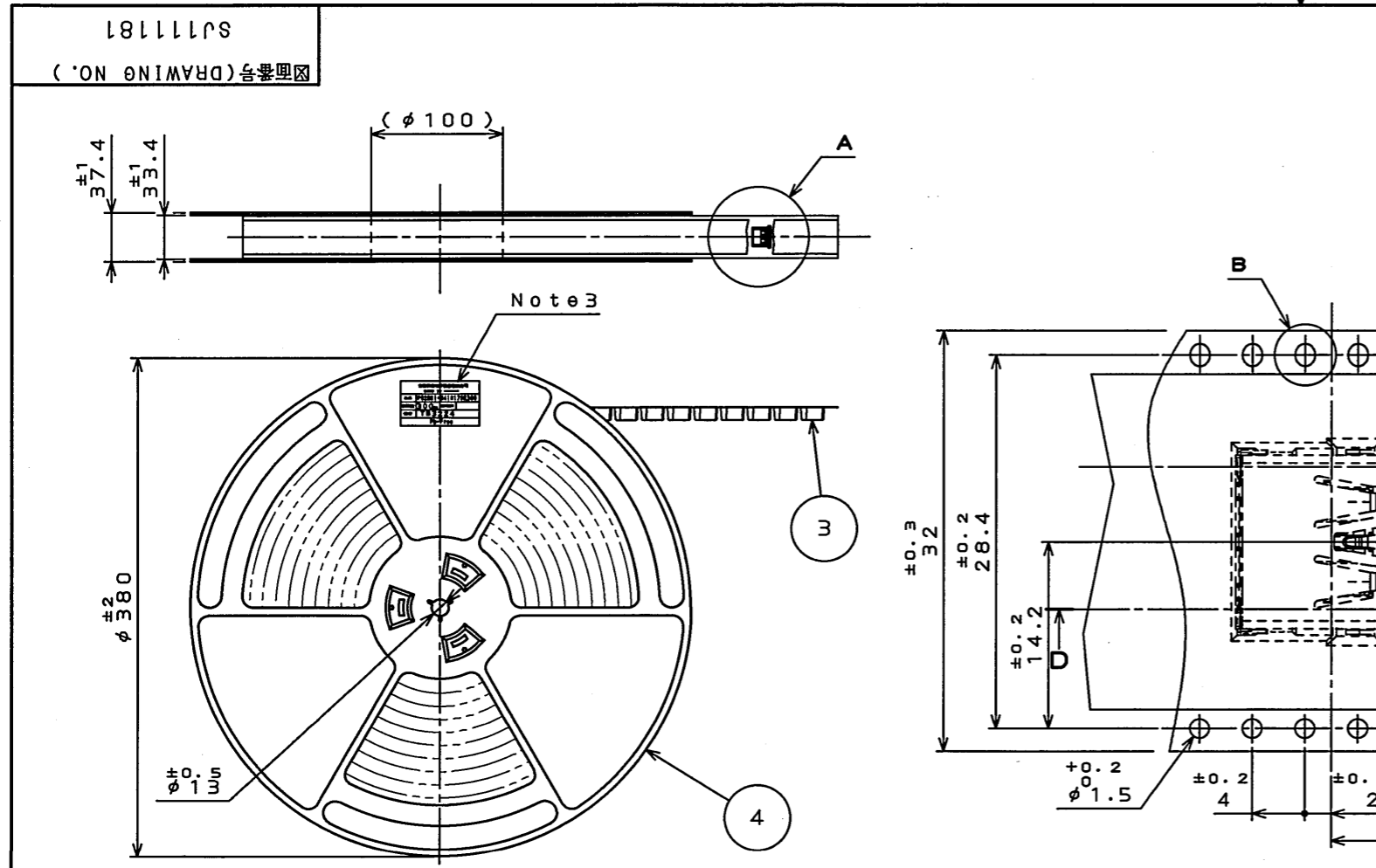
Tel: +86-755-8981 8866 Fax: +86-755-8427 6832

Email & Skype: info@chipsmall.com Web: www.chipsmall.com

Address: A1208, Overseas Decoration Building, #122 Zhenhua RD., Futian, Shenzhen, China

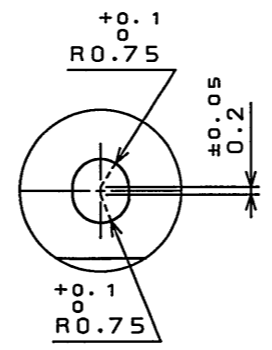
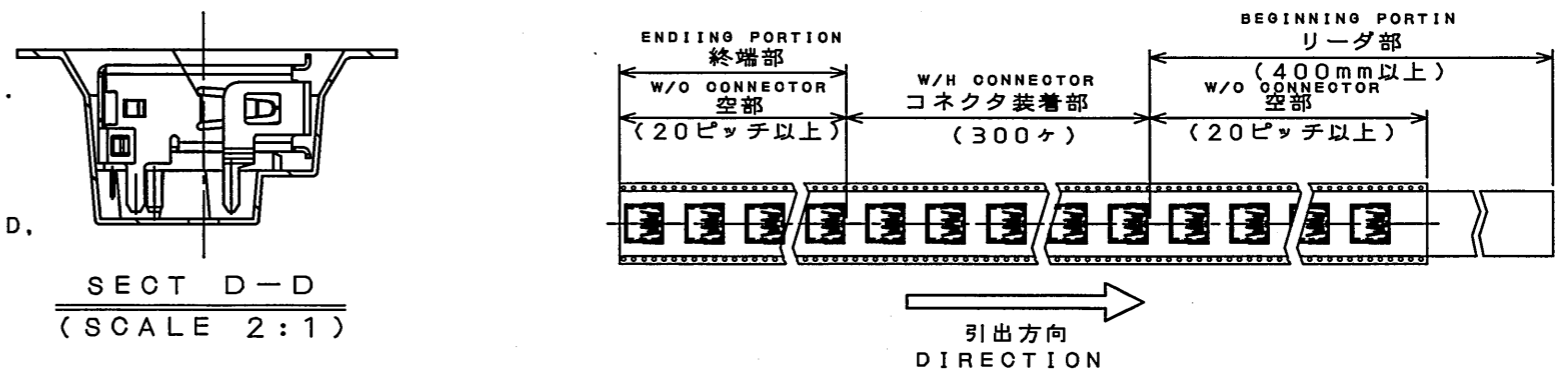


版数 REV.	年月日 DATE	DCN NO.	変更内容 DESCRIPTION	製図 DR.	担当 CHK.	査閲 APPD.	承認 APPD.



NOTE1. SUFFIX "R300" OF PART NUMBER "PC2RN1*U41B17SR300" INDICATES 300 PCS IN REEL.
 NOTE 2. REFER TO THE DRAWING FOR PRODUCT NAME AND THE DIMENSIONS.
 SJ111080(PC2RN1SU41B17S)
 SJ111078(PC2RN1RU41B17S)
 NOTE3. THE LABEL IN WHICH PART NO., NUMBER OF CONNECTORS, THE MANUFACTURED DATE, TAPE WIDTH AND FEED PITCH ARE MARKED, IS ATTACHED AS SHOWN. ("Pb-Free" IS LISTED TO THE MARGIN.)

注1. "PC2RN1*U41B17SR300" は収納数300ヶ入りのリールに収納された品名を示す。
 注2. コネクタ品名及び寸法は下記参照
 SJ111080(PC2RN1SU41B17S)
 SJ111078(PC2RN1RU41B17S)
 注3. 図示の位置に下図の表示(印刷またはラベル)を行い、品名、収納数、製造年月及びテープの幅と送りピッチを記入する。("Pb-Free"は欄外に記載する)



DETAIL B (SCALE 5:1)

台湾航空電子股份有限公司 MADE IN *****		PC2RN1SU41B17SR300 PC2RN1RU41B17SR300	
品名	PO2RN1*U41B17SR300	収納数	300 個入
備考	TB3224	製造年月日	

TB3224
キャリア幅 ピッチ

符号 NO.	名 称 DESCRIPTION	個 数 QTY.	材 料 MATERIAL	仕 上 FINISH	備 考 REMARKS
4	REEL フラスチックリール	—	PS	—	—
3	CARRIER TAPE キャリアテープ	—	PS	—	—
2	COVER TAPE カバーテープ	—	PET	—	—
1	CONNECTOR コネクタ	300	—	—	NOTE 1
仕様書 (SPECIFICATION) JACS-30147		第1版 (ORIGINAL DATE) 21.Feb.2011		尺 度 (SCALE) 1:5	シ リ ー ス (SERIES) PC2
公差 (GENERAL TOLERANCE)		製 図 DR.		名 称 (TITLE) PC2RN1SU41B17SR300 PC2RN1RU41B17SR300	
寸法 (DIMENSION)		担 当 CHK. Y.ISHIGUCHI		日 本 航 空 電 子 工 業 株 式 有 限 公 司 JAPAN AVIATION ELECTRONICS INDUSTRY, LTD.	
角度 (ANGLES)		査 閲 APPD.		図 面 番 号 (DRAWING NO.) SJ111181	
· ±0.8	° ±	承 認 APPD. K. Wakamura		版 数 (REV.) 1	
· X ±0.4	X° ±	質 量 (MASS)		—	
· XX ±0.1	—	—		—	
· XXX ±	—	—		—	

DOF-0-212F(05.08)

