



Chipsmall Limited consists of a professional team with an average of over 10 year of expertise in the distribution of electronic components. Based in Hongkong, we have already established firm and mutual-benefit business relationships with customers from,Europe,America and south Asia,supplying obsolete and hard-to-find components to meet their specific needs.

With the principle of “Quality Parts,Customers Priority,Honest Operation,and Considerate Service”,our business mainly focus on the distribution of electronic components. Line cards we deal with include Microchip,ALPS,ROHM,Xilinx,Pulse,ON,Everlight and Freescale. Main products comprise IC,Modules,Potentiometer,IC Socket,Relay,Connector.Our parts cover such applications as commercial,industrial, and automotives areas.

We are looking forward to setting up business relationship with you and hope to provide you with the best service and solution. Let us make a better world for our industry!



Contact us

Tel: +86-755-8981 8866 Fax: +86-755-8427 6832

Email & Skype: info@chipsmall.com Web: www.chipsmall.com

Address: A1208, Overseas Decoration Building, #122 Zhenhua RD., Futian, Shenzhen, China



ALL MATERIALS AND FINISHES SHALL BE COMPLIANT TO RoHS 2011/65/EU DIRECTIVE.
CERTIFICATE OF COMPLIANCE REQUIRED

PC3566

2 AXIS, 1 BUTTON PENDANT CONTROLLER CONSISTING OF:

- (1) ERGONOMIC, HIGH IMPACT PLASTIC HOUSING
- (1) 2 AXIS THUMBSTICK
- (1) MOMENTARY PUSHBUTTON

- ANALOG VOLTAGE OUTPUT

- COILED CABLE

MECHANICAL SPECIFICATIONS

X / Y AXIS

OPERATING FORCE: 3.1N ± 0.5N
 MAX VERTICAL LOAD: 200N
 MAX HORIZONTAL LOAD: 150N
 ANGLE OF MOVEMENT: 50°
 EXPECTED LIFE: 1M CYCLES

MOMENTARY SWITCHES

OPERATING FORCE: 4.0N ± 3N
 EXPECTED LIFE: 1M CYCLES

ELECTRICAL SPECIFICATIONS

TS SERIES

SENSOR: HALL EFFECT
 SUPPLY VOLTAGE: 5.00VDC ± .25VDC
 OUTPUT VOLTAGE: 0V TO 5VDC
 REVERSE POLARITY MAX: -10V
 OVERVOLTAGE MAX: 20V
 OUTPUT IMPEDANCE: 2 OHM
 RETURN TO CENTER VOLTAGE: ±200mV INITIAL

PUSHBUTTON SWITCH

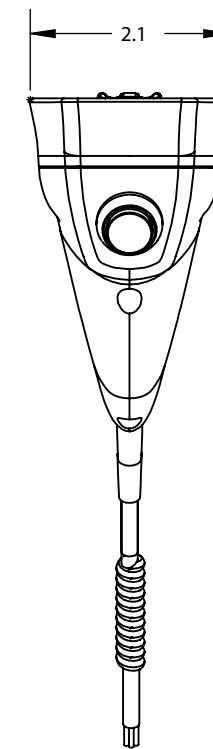
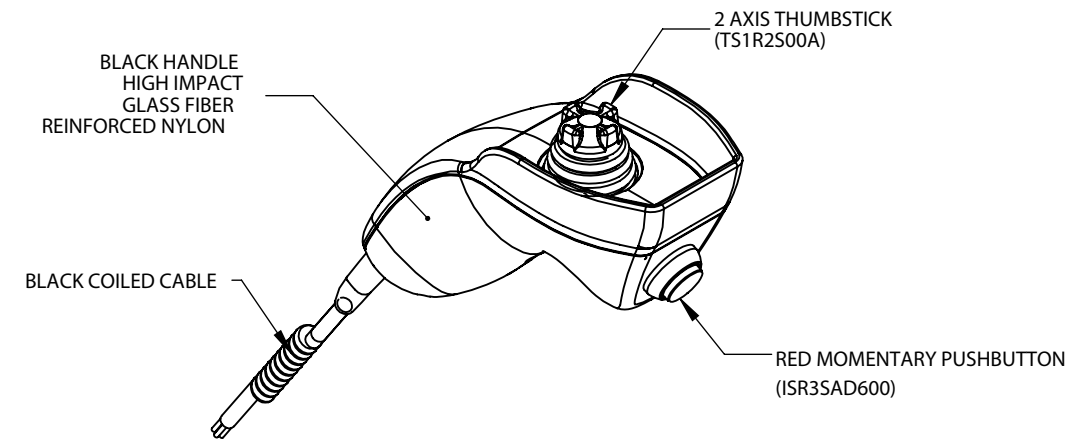
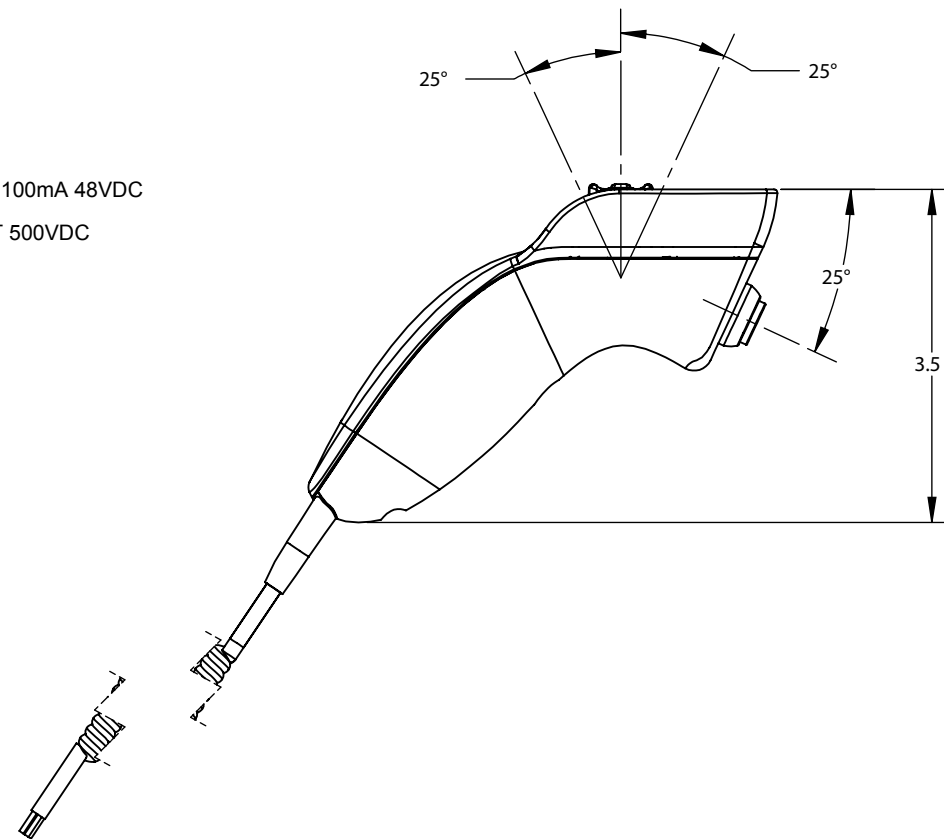
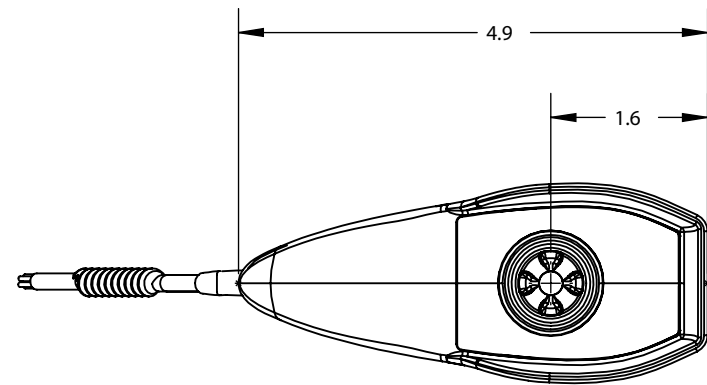
MAX CURRENT/VOLTAGE RATING RESISTIVE LOAD: 400mA 32VAC - 100mA 48VDC
 INITIAL CONTACT RESISTANCE: 50 mOHM MAX.
 INSULATION RESISTANCE: 1 GOHM MIN AT 500VDC
 DIELECTRIC STRENGTH: 1.000 VRMS
 ELECTRICAL LIFE AT FULL LOAD: 500K CYCLES

COILED CABLE

RED: VDC
 BLACK: GND
 BLUE: X-AXIS
 YELLOW: Y-AXIS
 ORANGE: PUSHBUTTON
 WHITE: PUSHBUTTON COMMON

ENVIRONMENTAL SPECIFICATIONS

ENVIRONMENTAL SEALING: IP54
 OPERATING TEMPERATURE: -40°C to 85°C



REV.	DESCRIPTION	DATE	ECN

CUSTOMER APPROVALS

COMPANY: _____

CUSTOMER APPROVAL SIGNATURE _____ DATE _____

PRINTED NAME _____

		NUMBER: PC3566	
		DESCRIPTION: 2 AXIS 1 BUTTON PENDANT CONTROLLER	REV: _____
UNLESS OTHERWISE SPECIFIED: DIMENSIONS ARE IN INCHES TOL. ON ANGLE ± 1.0° .XX ± 0.01 .XXX ± 0.003 .XXXX ± 0.001 INTERPRET DIM AND TOL PER ANSI Y14.5 <input checked="" type="checkbox"/> CRITICAL DIMENSION		SHEET 1 of 1	
DRAWN BY: GT	CHECKED BY: ---	DESIGNED BY: ---	TYPE: M
DATE: 01/27/16	DATE: --/--	DATE: --/--	SIZE: B SCALE: 1:2
			3RD ANGLE PROJECTION