



Chipsmall Limited consists of a professional team with an average of over 10 year of expertise in the distribution of electronic components. Based in Hongkong, we have already established firm and mutual-benefit business relationships with customers from,Europe,America and south Asia,supplying obsolete and hard-to-find components to meet their specific needs.

With the principle of “Quality Parts,Customers Priority,Honest Operation,and Considerate Service”,our business mainly focus on the distribution of electronic components. Line cards we deal with include Microchip,ALPS,ROHM,Xilinx,Pulse,ON,Everlight and Freescale. Main products comprise IC,Modules,Potentiometer,IC Socket,Relay,Connector.Our parts cover such applications as commercial,industrial, and automotives areas.

We are looking forward to setting up business relationship with you and hope to provide you with the best service and solution. Let us make a better world for our industry!



Contact us

Tel: +86-755-8981 8866 Fax: +86-755-8427 6832

Email & Skype: info@chipsmall.com Web: www.chipsmall.com

Address: A1208, Overseas Decoration Building, #122 Zhenhua RD., Futian, Shenzhen, China



SHARP



OPTO-ANALOG DEVICES DIVISION
ELECTRONIC COMPONENTS GROUP
SHARP CORPORATION

SPECIFICATION

DEVICE SPECIFICATION FOR
PHOTOCOUPLER
MODEL No. PC457L

	Business dealing name		Business dealing name
	PC457LONIP0F		PC457LOYIP0F

Specified for _____

Enclosed please find copies of the Specifications which consists of 17 pages including cover.
This specification sheets and attached sheets shall be both side copy.
After confirmation of the contents, please be sure to send back copies of the Specifications
with approving signature on each.

CUSTOMER'S APPROVAL

PRESENTED

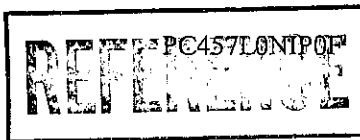
DATE _____

DATE Sep. 11, 2007

BY _____

BY H. Imanaka

H. Imanaka,
Department General Manager of
Engineering Dept., II
Opto-Analog Devices Div.
ELECOM Group
SHARP CORPORATION



Product name : PHOTOCOUPLER

Model No. : PC457L

Business dealing name	
PC457L0NIP0F	PC457L0YIP0F

1. These specification sheets include materials protected under copyright of Sharp Corporation ("Sharp"). Please do not reproduce or cause anyone to reproduce them without Sharp's consent.
2. When using this product, please observe the absolute maximum ratings and the instructions for use outlined in these specification sheets, as well as the precautions mentioned below. Sharp assumes no responsibility for any damage resulting from use of the product which does not comply with the absolute maximum ratings and the instructions included in these specification sheets, and the precautions mentioned below.

(Precautions)

- (1) This product is designed for use in the following application areas ;
 - OA equipment Audio visual equipment · Home appliances
 - Telecommunication equipment (Terminal) · Measuring equipment
 - Tooling machines · ComputersIf the use of the product in the above application areas is for equipment listed in paragraphs (2) or (3), please be sure to observe the precautions given in those respective paragraphs.

- (2) Appropriate measures, such as fail-safe design and redundant design considering the safety design of the overall system and equipment, should be taken to ensure reliability and safety when this product is used for equipment which demands high reliability and safety in function and precision, such as ;

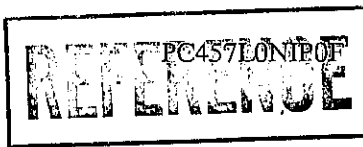
- Transportation control and safety equipment (aircraft, train, automobile etc.)
- Traffic signals · Gas leakage sensor breakers · Rescue and security equipment
- Other safety equipment

- (3) Please do not use this product for equipment which require extremely high reliability and safety in function and precision, such as ;

- Space equipment · Telecommunication equipment (for trunk lines)
- Nuclear power control equipment · Medical equipment

- (4) Please contact and consult with a Sharp sales representative if there are any questions regarding interpretation of the above three paragraphs.

3. Please contact and consult with a Sharp sales representative for any questions about this product.



1. Application
This specification applies to the outline and characteristics of OPIC photocoupler Model No. PC457L (Lead free type).
2. Outline Refer to the attached sheet, page 4.
3. Ratings and characteristics Refer to the attached sheet, page 5 to 7.
4. Reliability Refer to the attached sheet, page 8.
5. Outgoing inspection Refer to the attached sheet, page 9.

6. Supplement

6.1 Isolation voltage shall be measured in the following method.

- (1) Short between pins 1 and 3 on the primary side and between pins 4, 5 and 6 on the secondary side.
- (2) The dielectric withstanding tester with zero-cross circuit shall be used.
- (3) The wave form of applied voltage shall be a sine wave.

(It is recommended that the isolation voltage be measured in insulation oil.)

6.2 Business dealing name

("O" mark indicates business dealing name of ordered product)

Product	Business dealing name	Remark
	PC457LONIP0F	
	PC457LOYIP0F	Applied to product as a option (Attachment-2-1 to 2-3.)

6.3 Package specification Refer to the attached sheet, page 10, 11.

6.4 This Model is approved by UL.

Approved Model No. : PC457L

UL file No. : E64380

6.5 This product is not designed against irradiation.

This product is operated with electrical input and output.

This product incorporates non-coherent light emitting diode.

6.6 ODS materials

This product shall not contain the following materials.

Also, the following materials shall not be used in the production process for this product.

Materials for ODS : CFCs, Halon, Carbon tetrachloride, 1.1.1-Trichloroethane (Methyl chloroform)

6.7 Specified brominated flame retardants

Specified brominated flame retardants (PBB and PBDE) are not used in this device at all.



6.8 Compliance with each regulation

- (1) The RoHS directive (2002/95/EC)

This product complies with the RoHS directive (2002/95/EC) .

Object substances: mercury, lead, cadmium, hexavalent chromium, polybrominated biphenyls (PBB) and polybrominated diphenyl ethers (PBDE)

- (2) Content of six substances specified in Management Methods for Control of Pollution Caused by Electronic Information Products Regulation (Chinese : 电子信息产品污染控制管理办法).

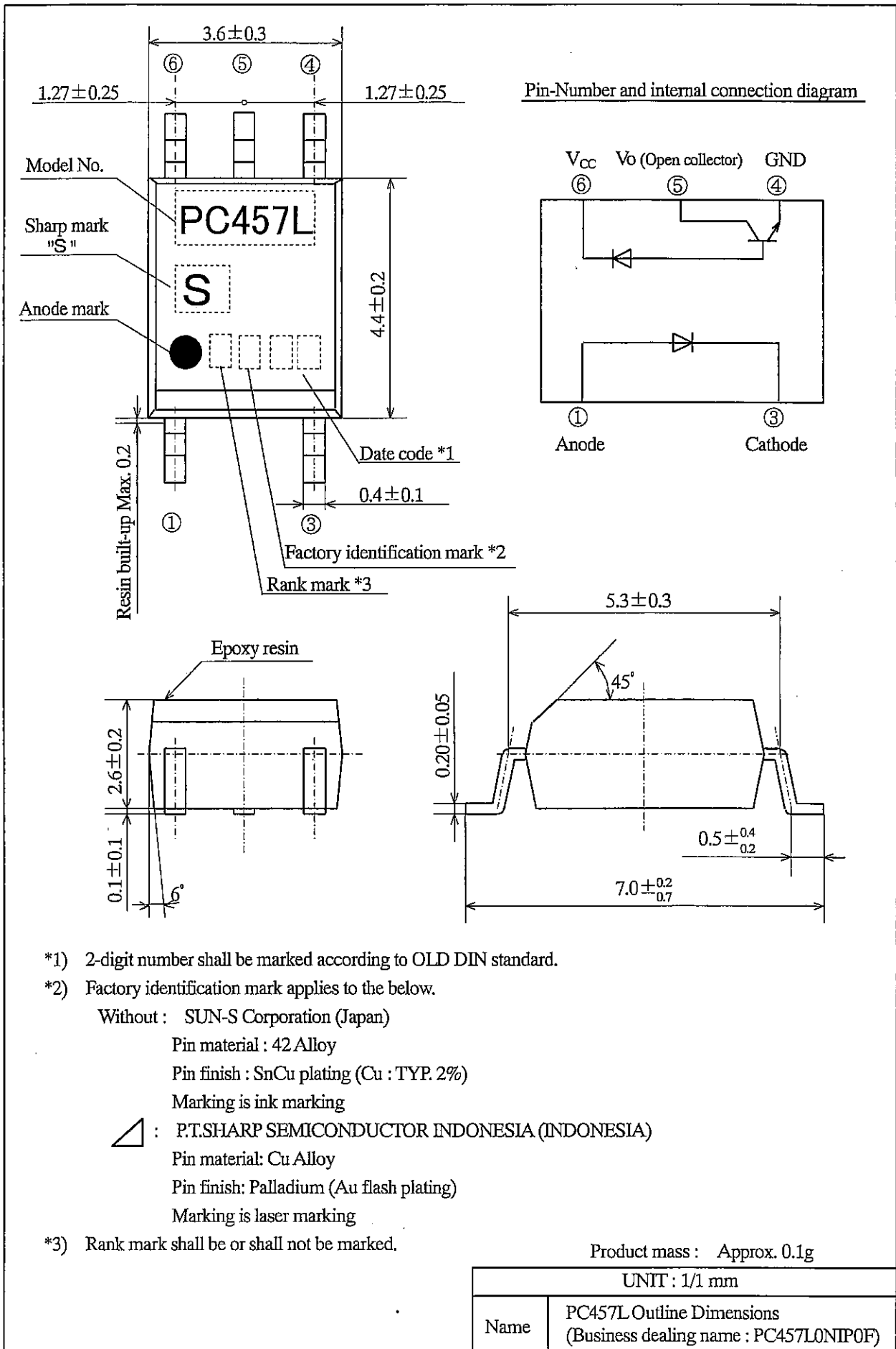
Category	Toxic and hazardous substances					
	Lead (Pb)	Mercury (Hg)	Cadmium (Cd)	Hexavalent chromium (Cr ⁶⁺)	Polybrominated biphenyls (PBB)	Polybrominated diphenyl ethers (PBDE)
Photocoupler	✓	✓	✓	✓	✓	✓

✓ : indicates that the content of the toxic and hazardous substance in all the homogeneous materials of the part is below the concentration limit requirement as described in SJ/T 11363-2006 standard .

7. Notes

Precautions for photocouplers : Attachment-1

2. Outline



3. Ratings and characteristics

3.1 Absolute maximum ratings

Ta=25°C

Parameter		Symbol	Rating	Unit
Input	*1 Forward current	I _F	25	mA
	Reverse voltage	V _R	5	V
	*2 Power dissipation	P	45	mW
Output	Supply voltage	V _{CC}	-0.5 to +30	V
	High level output voltage	V _O	-0.5 to 20	V
	Low level output current	I _O	8	mA
	*3 Output collector power dissipation	P _O	100	mW
	*3 Total power dissipation	P _{tot}	100	mW
*4 Isolation voltage	V _{iso(rms)}	3.75	kV	
Operating temperature	T _{opr}	-55 to +85	°C	
Storage temperature	T _{slg}	-55 to +125	°C	
*5 Soldering temperature	T _{sol}	270	°C	

- *1 When ambient temperature goes above 70°C, the forward current goes down at the rate of 0.8mA/°C. (Fig. 1)
- *2 When ambient temperature goes above 70°C, the forward current goes down at the rate of 1.5mW/°C. (Fig. 2)
- *3 When ambient temperature goes above 70°C, the forward current goes down at the rate of 1.8mW/°C. (Fig. 3)
- *4 AC for 1 min, 40 to 60%RH
- *5 For 10 s or less.

3.2 Electro-optical characteristics

(Ta=25°C)

Parameter		Symbol	MIN.	TYP.	MAX.	Unit	Conditions
Input	Forward voltage	V_F	-	1.7	1.95	V	$I_F=16\text{mA}$
	Reverse current	I_R	-	-	10	μA	$V_R=5\text{V}$
	Terminal capacitance	C_t	-	60	250	pF	$V_F=0, f=1\text{MHz}$
Output	High level output current	$I_{OH}(1)$	-	3	500	nA	$I_F=0, V_{CC}=5.5\text{V}, V_o=5.5\text{V}$
		$I_{OH}(2)$	-	-	1.0	μA	$I_F=0, V_{CC}=15\text{V}, V_o=15\text{V}$
		$I_{OH}(3)$	-	-	50		$T_a=0 \text{ to } 70^\circ\text{C}, I_F=0, V_{CC}=15\text{V}, V_o=15\text{V}$
	High level supply current	$I_{CCH}(1)$	-	0.02	1.0	μA	$I_F=0, V_{CC}=15\text{V}, V_o=\text{OPEN}$
		$I_{CCH}(2)$	-	-	2.0		$T_a=0 \text{ to } 70^\circ\text{C}, I_F=0, V_{CC}=15\text{V}, V_o=\text{OPEN}$
	Low level supply current	I_{CCL}	-	120	-	μA	$I_F=16\text{mA}, V_{CC}=15\text{V}, V_o=\text{OPEN}$
	Low level output voltage	V_{OL}	-	-	0.4	V	$I_F=16\text{mA}, V_{CC}=4.5\text{V}, I_o=2.4\text{mA}$
	Current transfer ratio	CTR(1)	19	-	50	%	$I_F=16\text{mA}, V_{CC}=4.5\text{V}, V_o=0.4\text{V}$
		CTR(2)	15	-	-		$T_a=0 \text{ to } 70^\circ\text{C}, I_F=16\text{mA}, V_{CC}=4.5\text{V}, V_o=0.4\text{V}$
	*6 "H→L" propagation time	t_{PHL}	-	0.2	0.8	μs	$I_F=16\text{mA}, V_{CC}=5\text{V}, R_L=1.9\text{k}\Omega$
	*6 "L→H" propagation time	t_{PLH}	-	0.6	0.8		
	*7 Instantaneous common mode rejection voltage (High level output)	CM_H	15	30	-	$\text{kV}/\mu\text{s}$	$I_F=0, R_L=1.9\text{k}\Omega, V_{CC}=5\text{V}, V_{CM}=1.0\text{kV}_{(P-P)}$
*7 Instantaneous common mode rejection voltage (Low level output)	CM_L	-15	-30	-	$\text{kV}/\mu\text{s}$	$I_F=16\text{mA}, R_L=1.9\text{k}\Omega, V_{CC}=5\text{V}, V_{CM}=1.0\text{kV}_{(P-P)}$	
Isolation resistance	R_{ISO}	5×10^{10}	10^{11}	-	Ω	DC500V, 40 to 60%RH	
Floating capacitance	C_f	-	0.6	1.0	pF	$V=0, f=1\text{MHz}$	

*6 Propagation delay time : Refer to Fig.1.

*7 Instantaneous common mode rejection voltage : Refer to Fig.2.

Fig.1 t_{PHL}, t_{PLH} test circuit

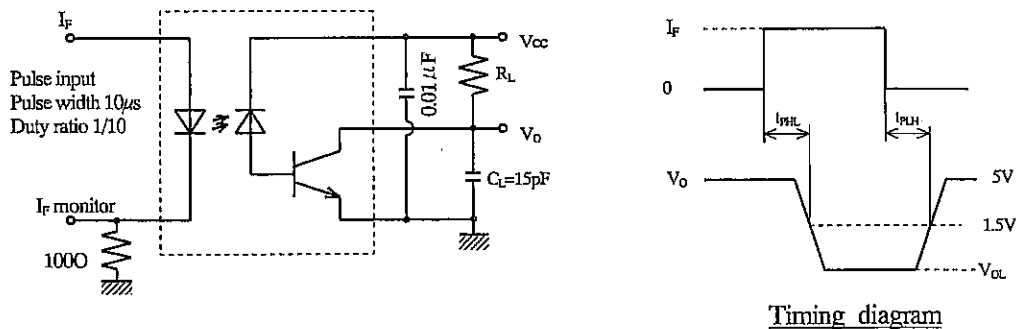
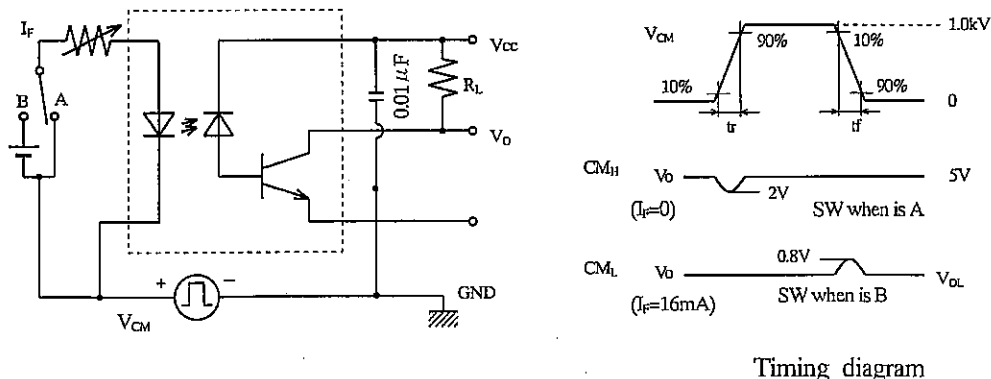
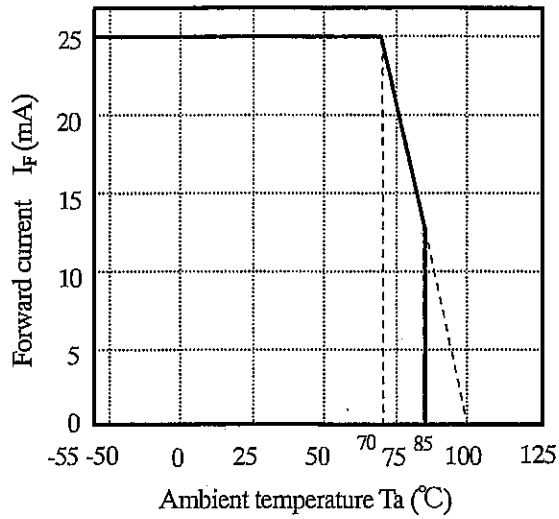


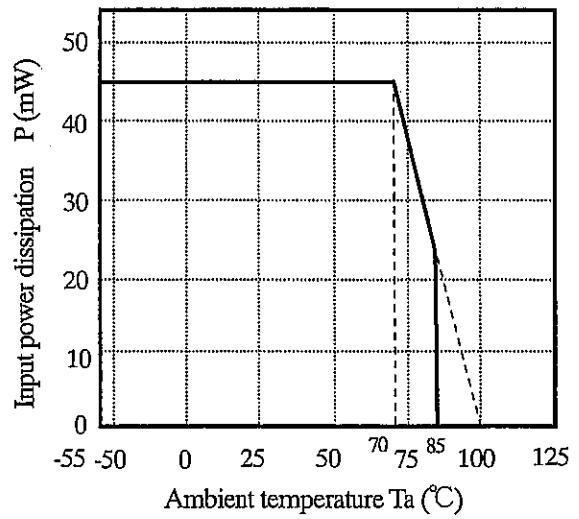
Fig.2 CM_H, CM_L test circuit



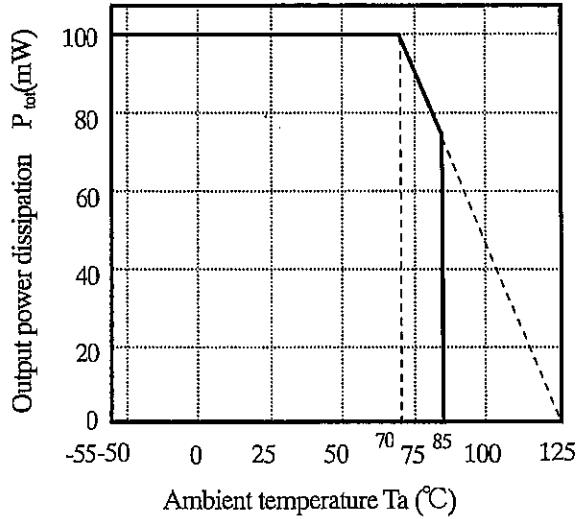
(Fig.3) Forward current vs. ambient temperature



(Fig.4) Input power dissipation vs. ambient temperature



(Fig.5) Output power dissipation vs. ambient temperature



(Note) The total power dissipation (P_{tot}) decreases of the ratio of $1.8\text{mW}/^\circ\text{C}$ at ambient temperature 70°C or more. (Refer to Fig. 3)

4. Reliability

The reliability of products shall satisfy items listed below.

Confidence level : 90%

LTPD : 10 or 20

Test Items	Test Conditions *1	Failure Judgment Criteria	Samples (n)
			Defective(C)
Solderability	245±3°C, 3 s	*2 V _F >U×1.2 I _R >U×2 I _{OH} (2) >U×2 I _{OCH} (1) >U×2 CTR(1) <L×0.7 U : Upper specification limit L : Lower specification limit	n=11, C=0
Soldering heat *3	(Flow soldering) 270°C, 10 s		n=11, C=0
	(Soldering by hand) 400°C, 3 s		n=11, C=0
Terminal strength (Bending) *4	Weight : 1N 1 time/each terminal		n=11, C=0
Mechanical shock	15km/s ² , 0.5ms 3 times/±X, ±Y, ±Z direction		n=11, C=0
Variable frequency vibration	200m/s ² 100 to 2000 to 100Hz/4min. 4 times/ X, Y, Z direction		n=11, C=0
Temperature cycling	1 cycle -40°C to +125°C (30min.) (30min.) 20 cycles test		n=22, C=0
High temp. and high humidity Storage *5	+85°C, 85%RH, 500h		n=22, C=0
High temp. storage	+125°C, 1000h		n=22, C=0
Low temp. storage	-55°C, 1000h		n=22, C=0
Operation life	I _F =20mA, P _{tot} =100mW T _a =25°C 1000h	n=22, C=0	

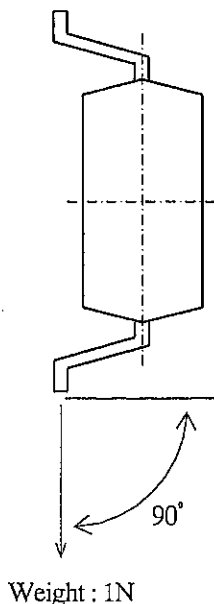
*1 Test method, conforms to EIAJ ED 4701.

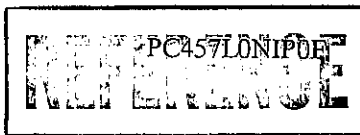
*2 Solder shall adhere at the area of 95% or more of immersed portion of lead, and pin hole or other holes shall not be concentrated on one portion.

*3 It is evaluated due to the temperature profile in attachment-1.

*4 Terminal bending direction is shown below.

*5 It is evaluated after washing by specified solvent in attachment-1.





5. Outgoing inspection

5.1 Inspection items

(1) Electrical characteristics

V_F , I_R , V_{OL} , $I_{CCH}(1)$, $I_{OH}(2)$, $CTR(1)$, R_{ISO} , V_{ISO}

(2) Appearance

5.2 Sampling method and Inspection level

A single sampling plan, normal inspection level II based on ISO 2859 is applied.

The AQL according to the inspection items are shown below.

Defect	Inspection item	AQL (%)
Major defect	Electrical characteristics Unreadable marking	0.065
Minor defect	Appearance defect except the above mentioned.	0.25

6.3 Package specifications

6.3.1 Taping conditions

- (1) Tape structure and Dimensions (Refer to the attached sheet, Page 10)
The carrier tape has the heat pressed structure of A-PET material carries tape of protect against static electricity and three layers cover tape (PET material base).
- (2) Reel structure and Dimensions (Refer to the attached sheet, Page 11)
The taping reel shall be of plastic (PS material).
- (3) Direction of product insertion (Refer to the attached sheet, Page 11)
- (4) Joint of tape
The cover tape and carrier tape in one reel shall be joint less.
- (5) To repair failure - taped devices, cutting a bottom of carrier tape with a cutter.
After replacing the cut portion shall be sealed with adhesive tape.

6.3.2 Adhesiveness of cover tape

- The exfoliation force between carrier tape and cover tape shall be 0.2N to 0.7N for the angle 160° to 180° .

6.3.3 Rolling method and quantity

- Wind the tape back on the reel so that the cover tape will be outside the tape.
- Attach more than 20cm of blank tape to the trailer and the leader of the tape and fix the both ends with adhesive tape.
One reel basically shall contain 3000pcs.

6.3.4 Outer packing appearance (Refer to attached sheet, Page 11)

6.3.5 Marking

- The label with following information shall be pasted at appointed place of the outer packing case.
 - * Model No. *(Business dealing name) * Lot No. * Quantity
 - * Country of origin *Company name *Inspection date specified

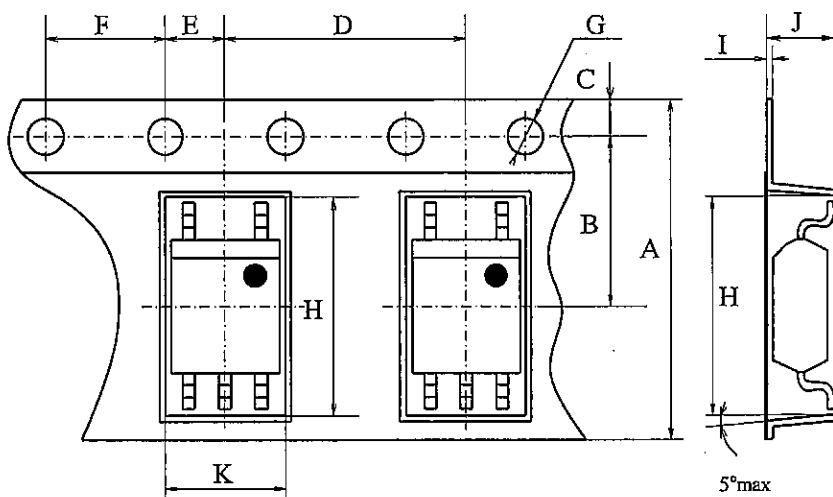
6.3.6 Storage condition

- Taped products shall be stored at the temperature 5 to 30°C and the humidity 70%RH or less away from direct sunlight.

6.3.7 Safety protection during shipping

- There shall be no deformation of component or degradation of electrical characteristics due to shipping.

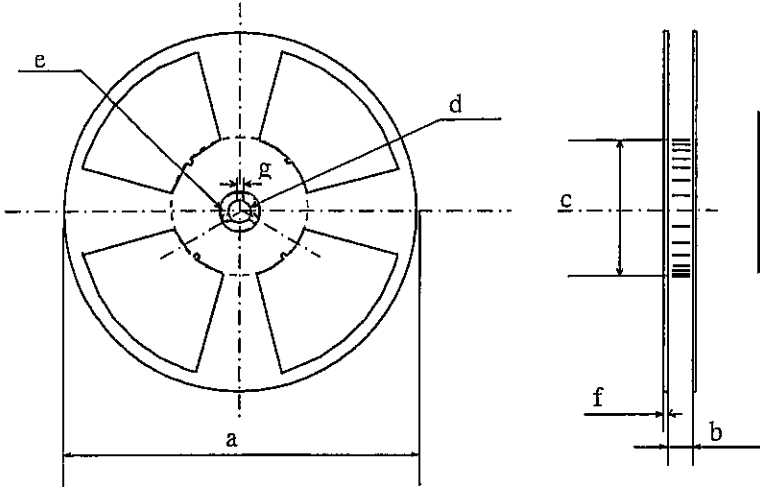
Carrier tape structure and Dimensions



Dimensions list (Unit : mm)

A	B	C	D	E	F	G	H	I	J	K
±0.3	±0.05	±0.10	±0.1	±0.1	±0.1	+0.1 -0	±0.1	±0.05	±0.1	±0.1
12.0	5.50	1.75	8.0	2.0	4.0	φ 1.5	7.4	0.30	3.1	4.0

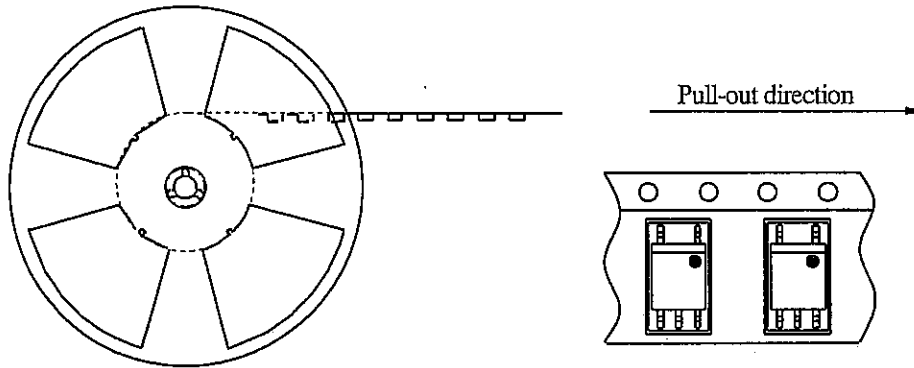
Reel structure and Dimensions



Dimensions list (Unit : mm)

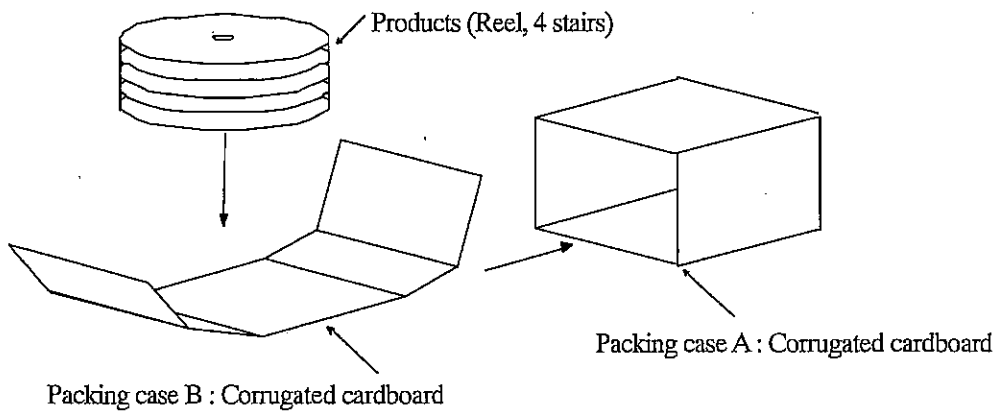
a	b	c	d
(370)	13.5±1.5	φ100.0±1.0	φ13.0±0.5
e	f	g	
φ21.0±1.0	2.0±0.5	2.0±0.5	

Direction of product insertion

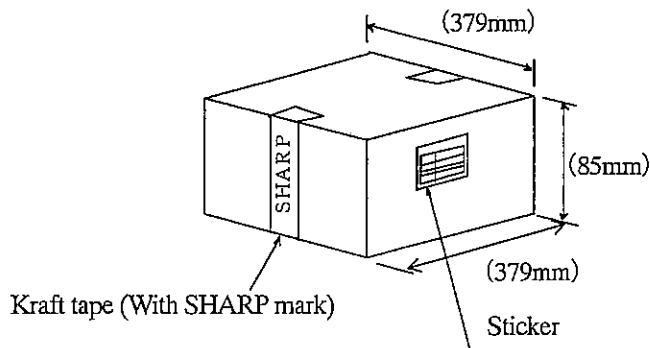


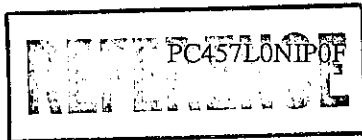
Outer packing appearance

- (1) Carrier tape with 3000pcs. of the devices (reeled) are packed in packing case.
 - (2) The packing case is sealed by kraft tape & the label is placed on it.
- (Max. 4 reels are packed in one carton. (Max. 12000pcs. of devices are in one carton.))



Regular packing mass : 3kg
 () : Reference dimensions





Precautions for Photocouplers

1. Recommended operating conditions

Parameter	Symbol	MIN.	TYP.	MAX.	Unit
Forward current	I_F	7	-	16	mA
Supply voltage	V_{CC}	-	5	-	V
Operating temperature	T_{opr}	0	-	+70	°C

We recommend that this device is used under the above conditions to secure reliability and allowance against time degradation of light emitting diode.

2. Cleaning

2.1 Solvent cleaning : Solvent temperature 45°C or less

Immersion for 3 min or less

2.2 Ultrasonic cleaning : The effect to device by ultrasonic cleaning differs by cleaning bath size, ultrasonic power output, cleaning time, PCB size or device mounting condition etc. Please test it in actual using condition and confirm that any defect doesn't occur before starting the ultrasonic cleaning.

2.3 Applicable solvent : Ethyl alcohol, Methyl alcohol, Isopropyl alcohol.

When the other solvent is used, there are cases that the packaging resin is eroded.

Please use the other solvent after thorough confirmation is performed in actual using condition.

3. Static electricity

Transistor of detector side in bipolar configuration is apt to be affected by static electricity for its minute design.

When handling them, general countermeasure against static electricity should be taken to avoid breakdown and devices and degradation of characteristics.

4. Circuit design

4.1 In order to stabilize power supply line, we should certainly recommend to connect a by-pass capacitor of 0.01 μ F or more between V_{CC} and GND near the device.

4.2 When steep voltage noise is applied between the primary side and the secondary side of the photocoupler, current flows or changes in the light emitting diode through a parasitic capacitance between the primary side and the secondary side of the photocoupler, then there is a case that miss operation occurs due to the applied noise level. We should certainly recommend to use a by-pass capacitor between both terminals of the light emitting diode when used in noisy environment.

4.3 The detector which is used in this device has parasitic diode between each pins and GND.

There are cases that miss operation or destruction may be occurred if electric potential of any pin fall below GND level in an instant.

Therefore it is recommended to design the circuit that electric potential of any pin does not become below GND level.

4.4 The LED used in the Photocoupler generally decreases the light emission power by operation.

In case of long operation time, please design the circuit in consideration of the decreases of the light emission power of the LED. (50%/5years)

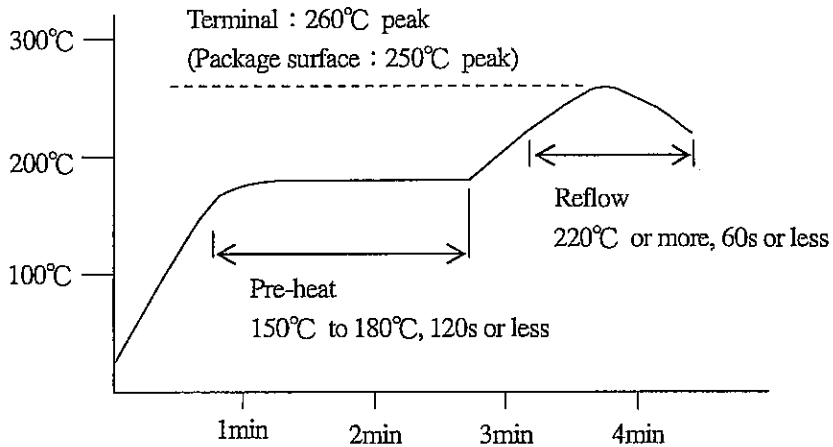
5. Precautions for Soldering

- (1) In the case of flow soldering (Whole dipping is possible.)

It is recommended that flow soldering should be at 260°C or less for 10 s or less
 (Pre-heating : 100 to 150°C, 30 to 80s). (2 times or less)

- (2) If solder reflow :

It is recommended to be done at the temperature and the time within the temperature profile as shown in the figure below. (2 times or less)



- (3) In the case of hand soldering

What is done on the following condition is recommended.(2 times or less)

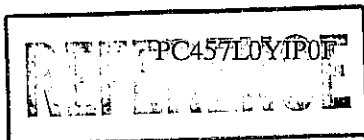
Soldering iron temperature : 400°C or less

Time : 3s or less

- (4) Other precautions

Depending on equipment and soldering conditions (temperature, Using solder etc.), the effect to the device and the PCB is different.


Please confirm that there is no problem on the actual use conditions in advance



1. This specification shall be applied to photocoupler, Model No. PC457L as an option.
2. Applicable Models (Business dealing name)
PC457LOYIP0F
4. The relevant models are the models Approved by VDE according to DIN EN 60747-5-2.
UP to date code "RD" (December 2003), the relevant models are approved by VDE according to DIN VDE0884/08.87.
Approved Model No. : PC457L
VDE approved No. : 40009162 (According to the specification DIN EN60747-5-2)

- Operating isolation voltage U_{IORM} : 570V (Peak)
- Transient voltage : 6400V (Peak)
- Pollution : 2
- Clearances distance (Between input and output) : 4.0mm (MIN.)
- Creepage distance (Between input and output) : 4.0mm (MIN.)
- Tracking-proof : CTI 175
- Safety limit values
 - Current (Isi) : 120mA (Diode side)
 - Power (Psi) : 240mW (Phototransistor side)
 - Temperature (Tsi) : 150°C

In order to keep safety electric isolation of photocoupler, please set the protective circuit to keep within safety limit values when the actual application equipment troubled.

- Indication of VDE approval "  REG.-Nr.5911 " is printed on minimum unit package.

4. Outline Refer to the attachment-2-2.

5. Isolation specification according to EN60747-5-2

Parameter	Symbol	Condition	Rating	Unit	Remark								
Class of environmental test	-	-	55/100/21	-									
Pollution	-	-	2	-									
Maximum operating isolation voltage	$U_{IORM(PEAK)}$	-	570	V	Refer to the Diagram 1,2 (Attachement-2-3)								
Partial discharge test voltage (Between input and output)													
<table border="1" style="width: 100%;"> <tr> <td>Diagram 1</td> <td rowspan="2" style="text-align: center;">$U_{PR(PEAK)}$</td> <td>$t_p=10s, q_c \leq 5pC$</td> <td>860</td> <td>V</td> </tr> <tr> <td>Diagram 2</td> <td>$t_p=1s, q_c \leq 5pC$</td> <td>1070</td> <td>V</td> </tr> </table>	Diagram 1	$U_{PR(PEAK)}$	$t_p=10s, q_c \leq 5pC$	860		V	Diagram 2	$t_p=1s, q_c \leq 5pC$	1070	V			
Diagram 1	$U_{PR(PEAK)}$		$t_p=10s, q_c \leq 5pC$	860	V								
Diagram 2		$t_p=1s, q_c \leq 5pC$	1070	V									
Maximum over-voltage	$U_{IOTM(PEAK)}$	$t_{NI}=60s$	6400	V									
Safety maximum ratings					Refer to Fig. 6,7 (Attachement-2-3)								
1) Case temperature	Tsi	$I_F=0, P_C=0$	150	°C									
2) Input current	Isi	$P_C=0$	120	mA									
3) Electric power (Output or Total power dissipation)	Psi	-	240	mW									
Isolation resistance (Test voltage between input and output ; DC500V)	R_{ISO}	$T_a=T_{si}$	MIN.10 ⁹	Ω									
		$T_a=T_{opr}(MAX.)$	MIN.10 ¹¹										
		$T_a=25^\circ C$	MIN.10 ¹²										

6. Precautions in performing isolation test

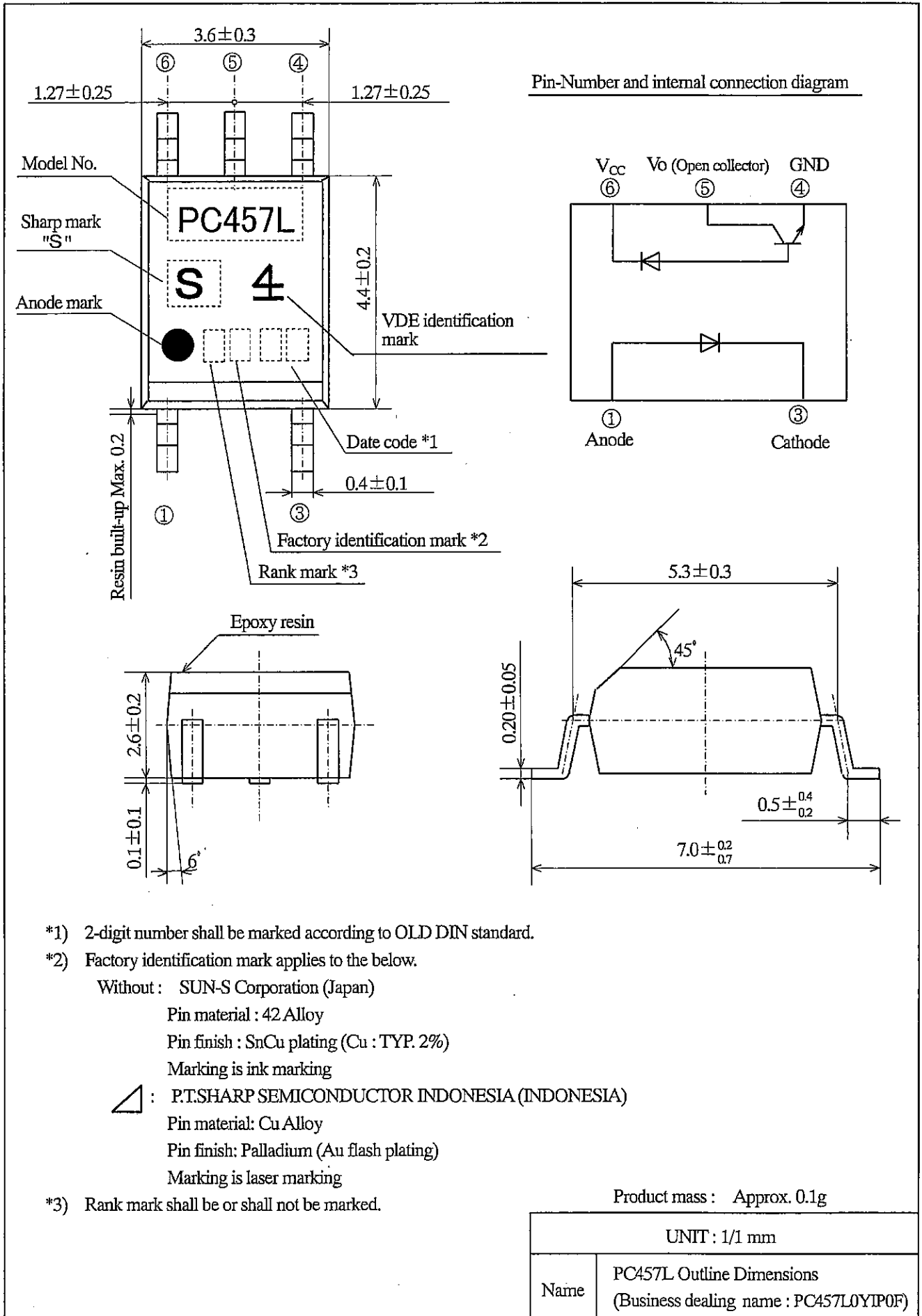
6.1 Partial discharge test methods shall be the ones according to the specifications of EN 60747-5-2

6.2 Please don't carry out isolation test (Viso) over U_{IOTM} .

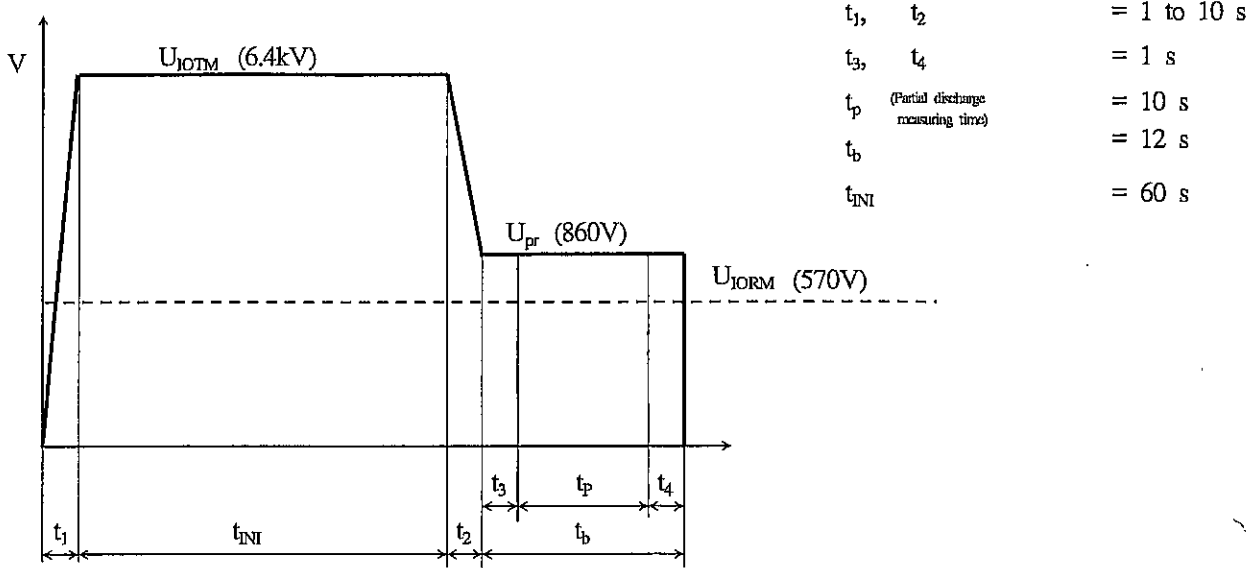
This product deteriorates isolation characteristics by partial discharge due to applying high voltage (ex. U_{IOTM}).

And there is possibility that partial discharge occurs in operating isolation voltage. (U_{IORM}).

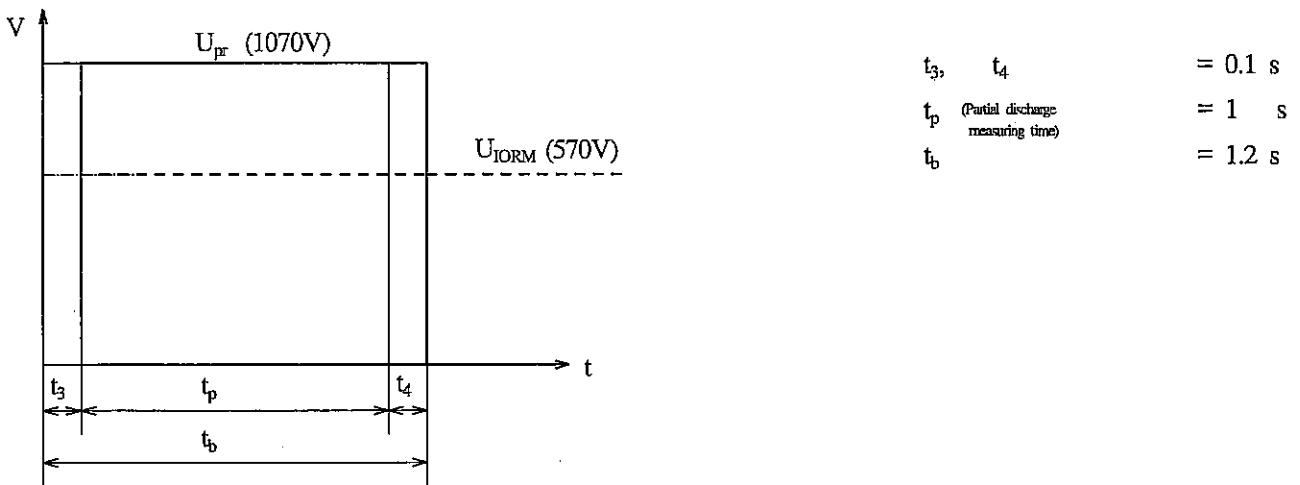
4. Outline



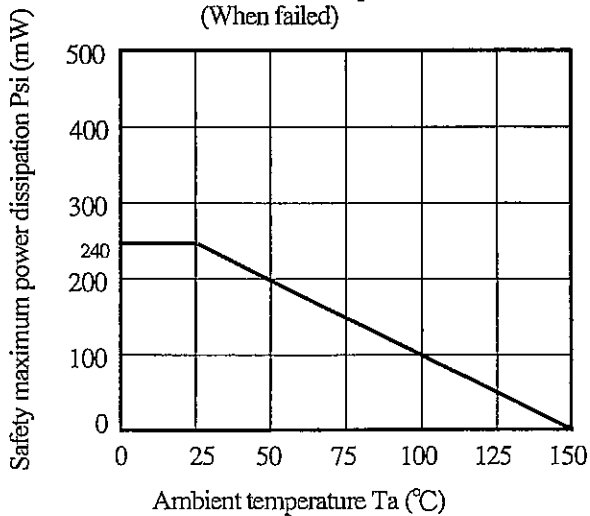
Method of Diagram 1: Breakdown test (Apply to tape test and sampling test)



Method of Diagram 2: Non breakdown test (Apply to all device test)



(Fig.6) Safety maximum power dissipation vs. ambient temperature (When failed)



(Fig. 7) Safety maximum forward current vs. ambient temperature (When failed)

