



Chipsmall Limited consists of a professional team with an average of over 10 year of expertise in the distribution of electronic components. Based in Hongkong, we have already established firm and mutual-benefit business relationships with customers from,Europe,America and south Asia,supplying obsolete and hard-to-find components to meet their specific needs.

With the principle of “Quality Parts,Customers Priority,Honest Operation,and Considerate Service”,our business mainly focus on the distribution of electronic components. Line cards we deal with include Microchip,ALPS,ROHM,Xilinx,Pulse,ON,Everlight and Freescale. Main products comprise IC,Modules,Potentiometer,IC Socket,Relay,Connector.Our parts cover such applications as commercial,industrial, and automotives areas.

We are looking forward to setting up business relationship with you and hope to provide you with the best service and solution. Let us make a better world for our industry!



Contact us

Tel: +86-755-8981 8866 Fax: +86-755-8427 6832

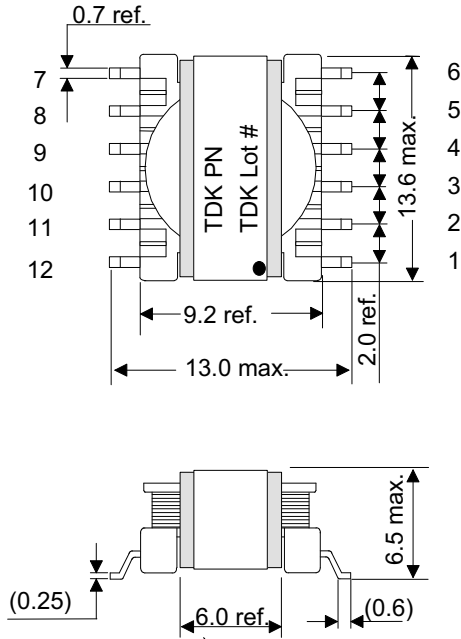
Email & Skype: info@chipsmall.com Web: www.chipsmall.com

Address: A1208, Overseas Decoration Building, #122 Zhenhua RD., Futian, Shenzhen, China

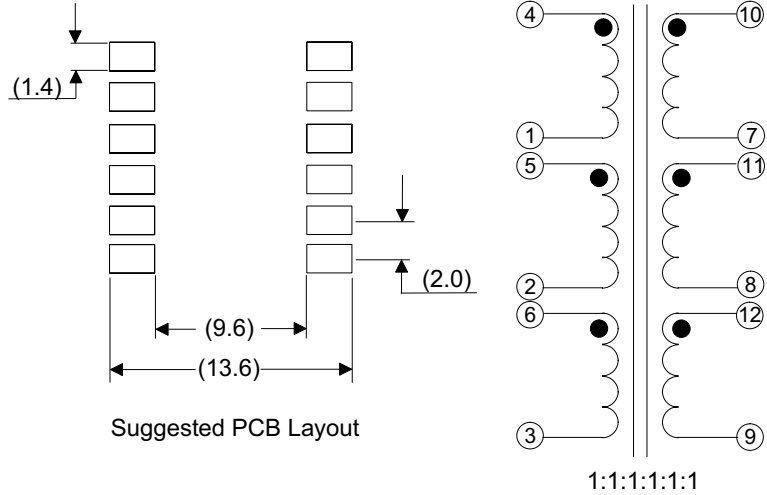


TDK SMD MULTI WINDING TRANSFORMER PCA11/5ER SERIES

Mechanical



Schematic



TDK Part Number	Inductance uH @ 10KHz, 0.1 Vrms		*1 I _{dc} 1 Amps (Typ.)		*2 I _{dc} 2 Amps (Typ.)		DCR m Ohms (±15%)		ET Constant V-µS (Max.)		Leakage Inductance nH (Typ.)
	*3 Parallel	*4 Series	*3 Parallel	*4 Series	*3 Parallel	*4 Series	*3 Parallel	*4 Series	*3 Parallel	*4 Series	Single
	PCA11/5ER-U01S002	193.0±30%	6.9mH±30%	0.11	0.02	2.6	0.44	44.4	1607	42.8	257
PCA11/5ER-U02S002	85.8±30%	3.1mH±30%	0.17	0.03	4.2	0.70	18.4	668	28.6	171	155
PCA11.5ER-U03S002	27.4±20%	985±20%	1.76	0.29	2.6	0.44	44.4	1607	42.8	257	183
PCA11/5ER-U04S002	12.2±20%	438±20%	2.60	0.43	4.2	0.70	18.4	668	28.6	171	155
PCA11/5ER-U05S002	14.7±20%	529±20%	3.74	0.62	2.6	0.44	44.4	1607	42.8	257	183
PCA11/5ER-U06S002	6.5±20%	235±20%	5.26	0.88	4.2	0.70	18.4	668	28.6	171	155
PCA11/5ER-U07S002	10.9±20%	394±20%	5.19	0.87	2.6	0.44	44.4	1607	42.8	257	183
PCA11/5ER-U08S002	4.9±20%	175±20%	7.50	1.25	4.2	0.70	18.4	668	28.6	171	155
PCA11/5ER-U09S002	8.5±20%	306±20%	6.57	1.10	2.6	0.44	44.4	1607	42.8	257	183
PCA11/5ER-U10S002	3.8±20%	136±20%	9.24	1.54	4.2	0.70	18.4	668	28.6	171	155

Electrical Specifications @ 23 degrees C

- *1 I_{dc} 1 = Depend on inductance saturation. (-30% reduction from nominal L value).
- *2 I_{dc} 2 = Depend on self temperature rise. (40 degC typ at specified I_{dc}2).
- *3 Parallel 6 coils connected in parallel
- *4 Series 6 coils connected in series.
- Hi - Pot between each individual coil to the others five 500 Vac, 2s, 2mA.
- Operating Temperature -40 degC to +85 degC.

RoHS Compliant :
 Conformity to RoHS Directive: This means that, in conformity with EU Directive 2002/95/EC, cadmium, mercury, hexavalent chromium, and specific bromine-based flame retardants, PBB and PBDE, have not been used except for exempted applications.



TDK USA Corporation / Component Engineering Laboratory