



Chipsmall Limited consists of a professional team with an average of over 10 year of expertise in the distribution of electronic components. Based in Hongkong, we have already established firm and mutual-benefit business relationships with customers from,Europe,America and south Asia,supplying obsolete and hard-to-find components to meet their specific needs.

With the principle of “Quality Parts,Customers Priority,Honest Operation,and Considerate Service”,our business mainly focus on the distribution of electronic components. Line cards we deal with include Microchip,ALPS,ROHM,Xilinx,Pulse,ON,Everlight and Freescale. Main products comprise IC,Modules,Potentiometer,IC Socket,Relay,Connector.Our parts cover such applications as commercial,industrial, and automotives areas.

We are looking forward to setting up business relationship with you and hope to provide you with the best service and solution. Let us make a better world for our industry!



## Contact us

Tel: +86-755-8981 8866 Fax: +86-755-8427 6832

Email & Skype: info@chipsmall.com Web: www.chipsmall.com

Address: A1208, Overseas Decoration Building, #122 Zhenhua RD., Futian, Shenzhen, China



## SPECIFICATION

- Part No. : **PCB.SMAFST.2H.B.HT**
- Product Name : SMA (F) Jack 2 Hole Panel Mount with Solder Post Termination
- Feature : SMA(F) Jack  
2 Hole Panel Mount with Solder Post Termination  
Frequency Range: 0~12.4GHz  
Finish: Nickel  
Post Length: 2mm  
Total Length: 11.52mm  
**RoHS Compliant**



# 1. Introduction

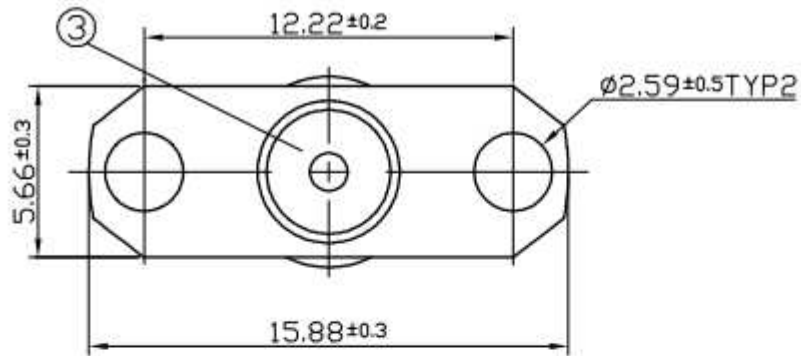
The PCB.SMAFST.2H.A.HT connector was designed to be mounted on a PCB, it has a Solder Post for connection and 2 Mounting holes. The connector pin is directly soldered onto pads on the PCB. The connector is a standard SMA (F) Jack. The SMA connector is the most popular type connector for RF applications. Taoglas connectors are all RoHS compliant.

# 2. Specification

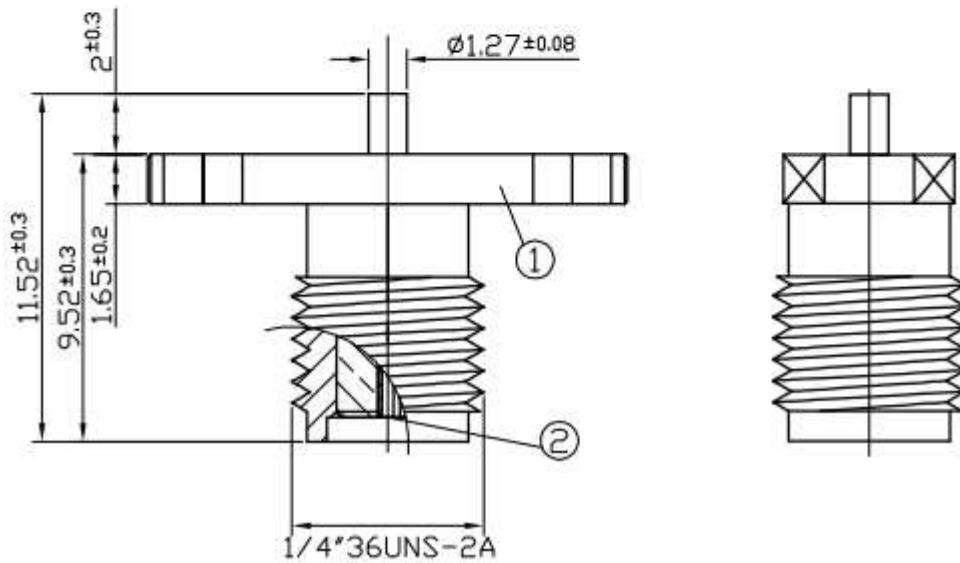
ELECTRICAL	
Impedance	50Ω
Frequency Range	0~12.4 GHz
Working Voltage	Max. 335 Vrms
Dielectric withstanding Voltage	≤1000 Vrms
Insulation Resistance	≥5000M Ω
MECHANICAL	
Connector Dimension	11.52 X 15.88 mm
Connector Pin Diameter	1.27 mm
Connector Pin Height	2 mm
Connector Type	SMA (F)
ENVIRONMENTAL	
RoHS compliant	
Operating Temperature	-40°C to +85°C

### 3. Connector Drawing

**Front View**



**Side View**



	<b>Name</b>	<b>Material</b>	<b>Finish</b>	<b>QTY</b>
<b>1</b>	<b>Body</b>	<b>Brass</b>	<b>Nickel</b>	<b>1</b>
<b>2</b>	<b>Female Contact</b>	<b>Phosphor Bronze</b>	<b>Gold</b>	<b>1</b>
<b>3</b>	<b>Insulator</b>	<b>Teflon</b>	<b>White</b>	<b>1</b>

Taoglas makes no warranties based on the accuracy or completeness of the contents of this document and reserves the right to make changes to specifications and product descriptions at any time without notice. Taoglas reserves all rights to this document and the information contained herein. Reproduction, use or disclosure to third parties without express permission is strictly prohibited. Copyright © 2012, Taoglas Ltd.