



Chipsmall Limited consists of a professional team with an average of over 10 year of expertise in the distribution of electronic components. Based in Hongkong, we have already established firm and mutual-benefit business relationships with customers from,Europe,America and south Asia,supplying obsolete and hard-to-find components to meet their specific needs.

With the principle of "Quality Parts,Customers Priority,Honest Operation,and Considerate Service",our business mainly focus on the distribution of electronic components. Line cards we deal with include Microchip,ALPS,ROHM,Xilinx,Pulse,ON,Everlight and Freescale. Main products comprise IC,Modules,Potentiometer,IC Socket,Relay,Connector.Our parts cover such applications as commercial,industrial, and automotives areas.

We are looking forward to setting up business relationship with you and hope to provide you with the best service and solution. Let us make a better world for our industry!



## Contact us

Tel: +86-755-8981 8866 Fax: +86-755-8427 6832

Email & Skype: [info@chipsmall.com](mailto:info@chipsmall.com) Web: [www.chipsmall.com](http://www.chipsmall.com)

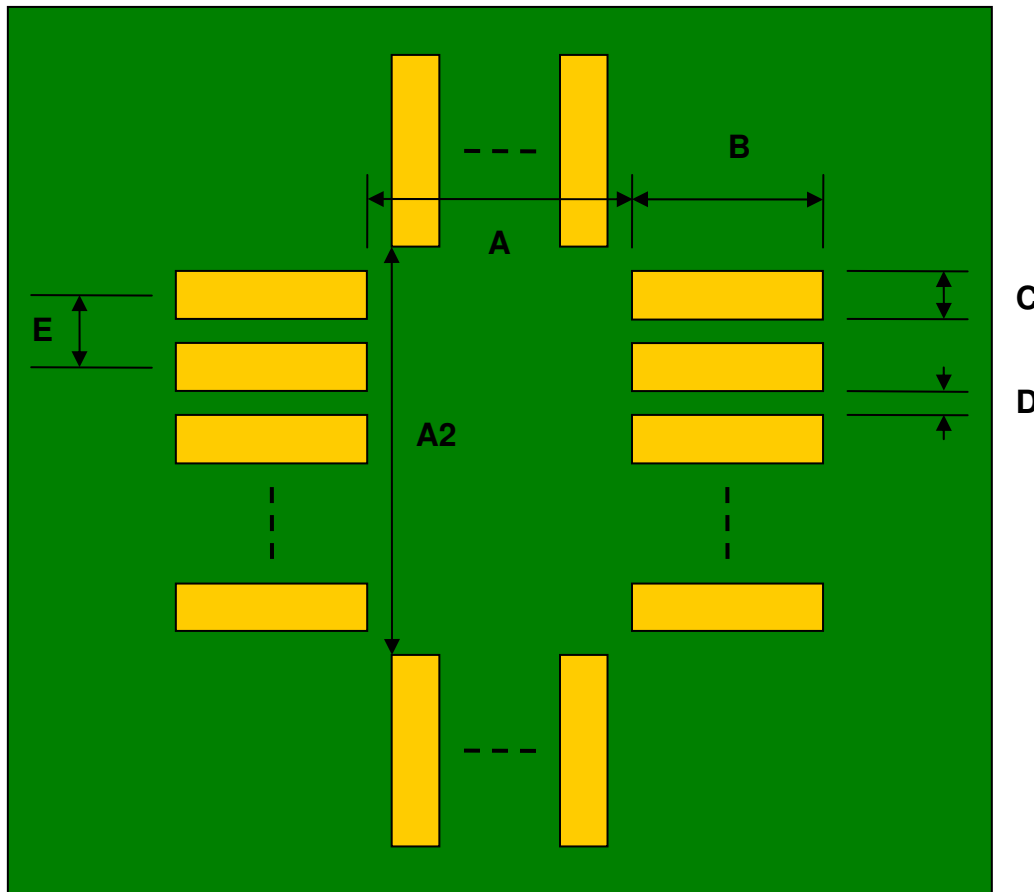
Address: A1208, Overseas Decoration Building, #122 Zhenhua RD., Futian, Shenzhen, China



**Footprint 1 of 4: TQFP-48/LQFP-48/QFP-48  
to PGA-100 SMT Adapter (0.5 mm pitch, 7x7 mm body)**

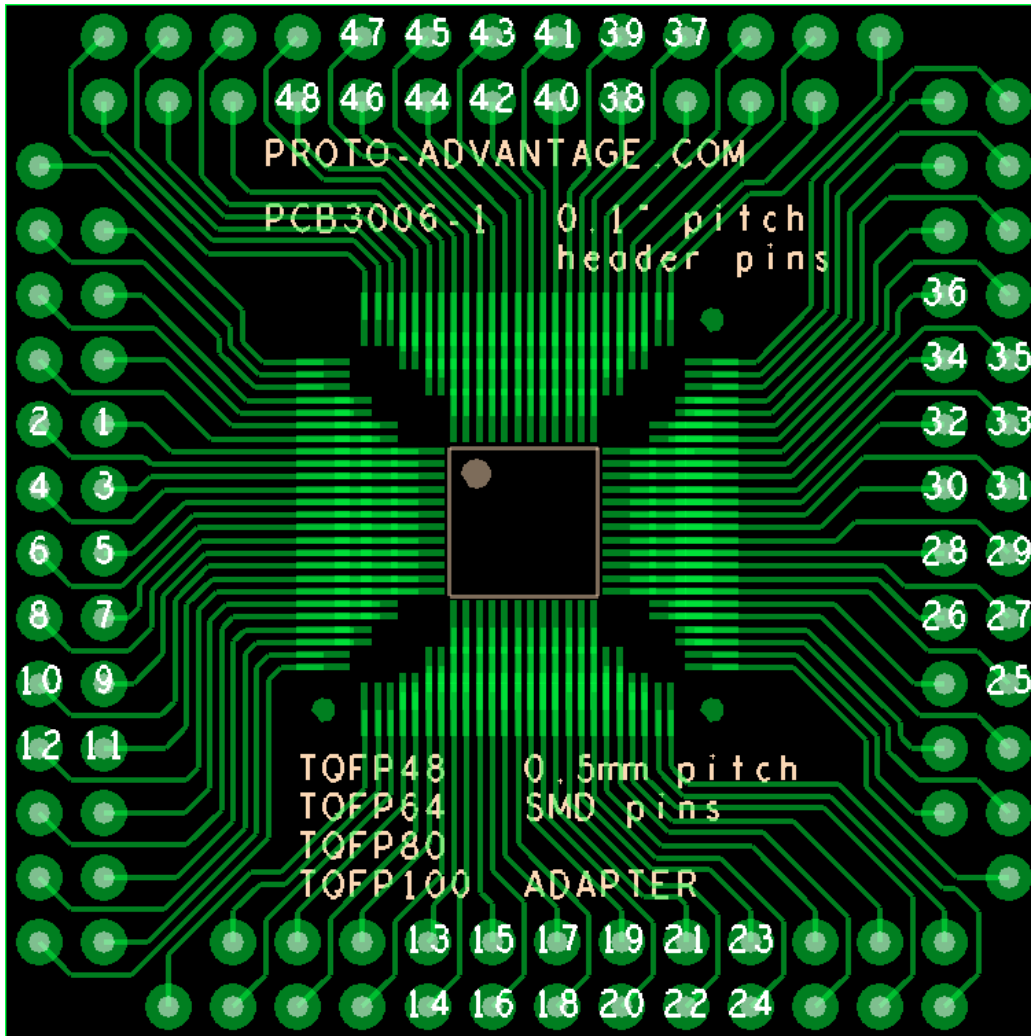
DIMENSIONS						
REF.	mm			inches		
	MIN.	TYP.	MAX.	MIN.	TYP.	MAX.
A		6.20				
A2		6.20				
B		2.10				
C		0.30				
D		0.20				
E		0.50				

Top View (SMT Footprint)



(Representative drawing only - not to scale)

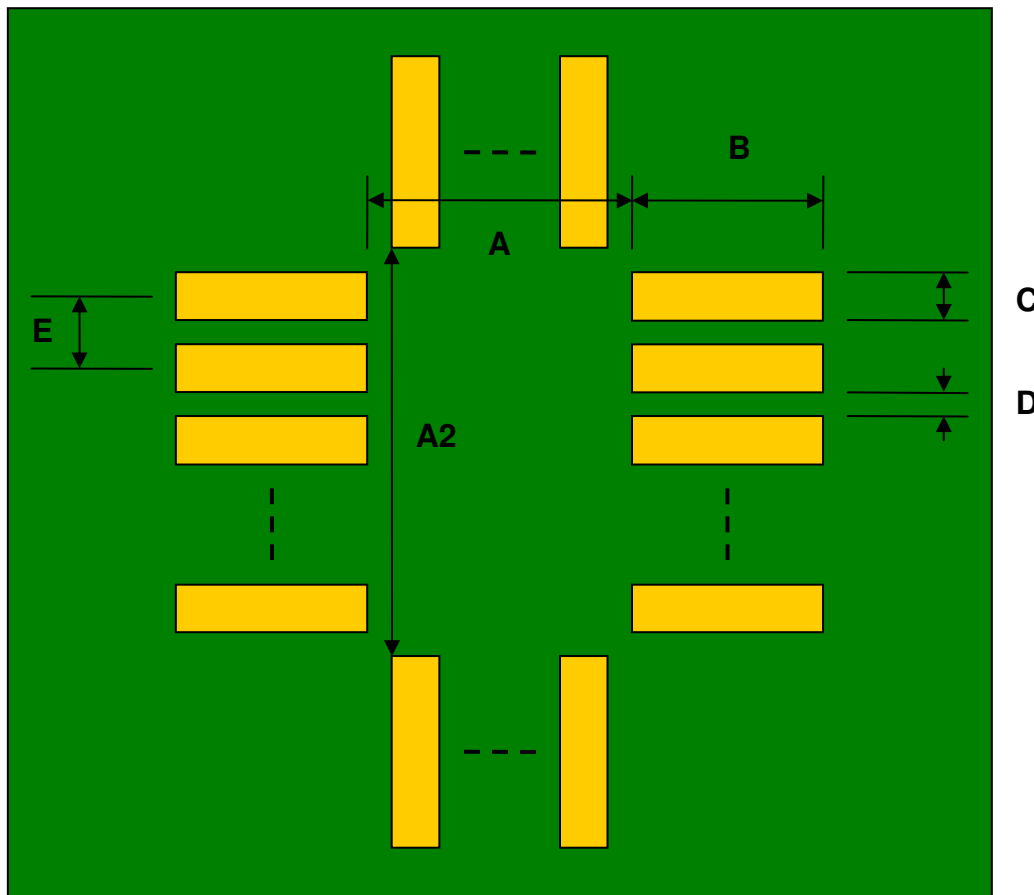
Pin Out 1 of 4: TQFP-48/LQFP-48/QFP-48  
to PGA-100 SMT Adapter (0.5 mm pitch, 7x7 mm body)



Footprint 2 of 4: TQFP-64/LQFP-64/QFP-64  
to PGA-100 SMT Adapter (0.5 mm pitch, 10x10 mm body)

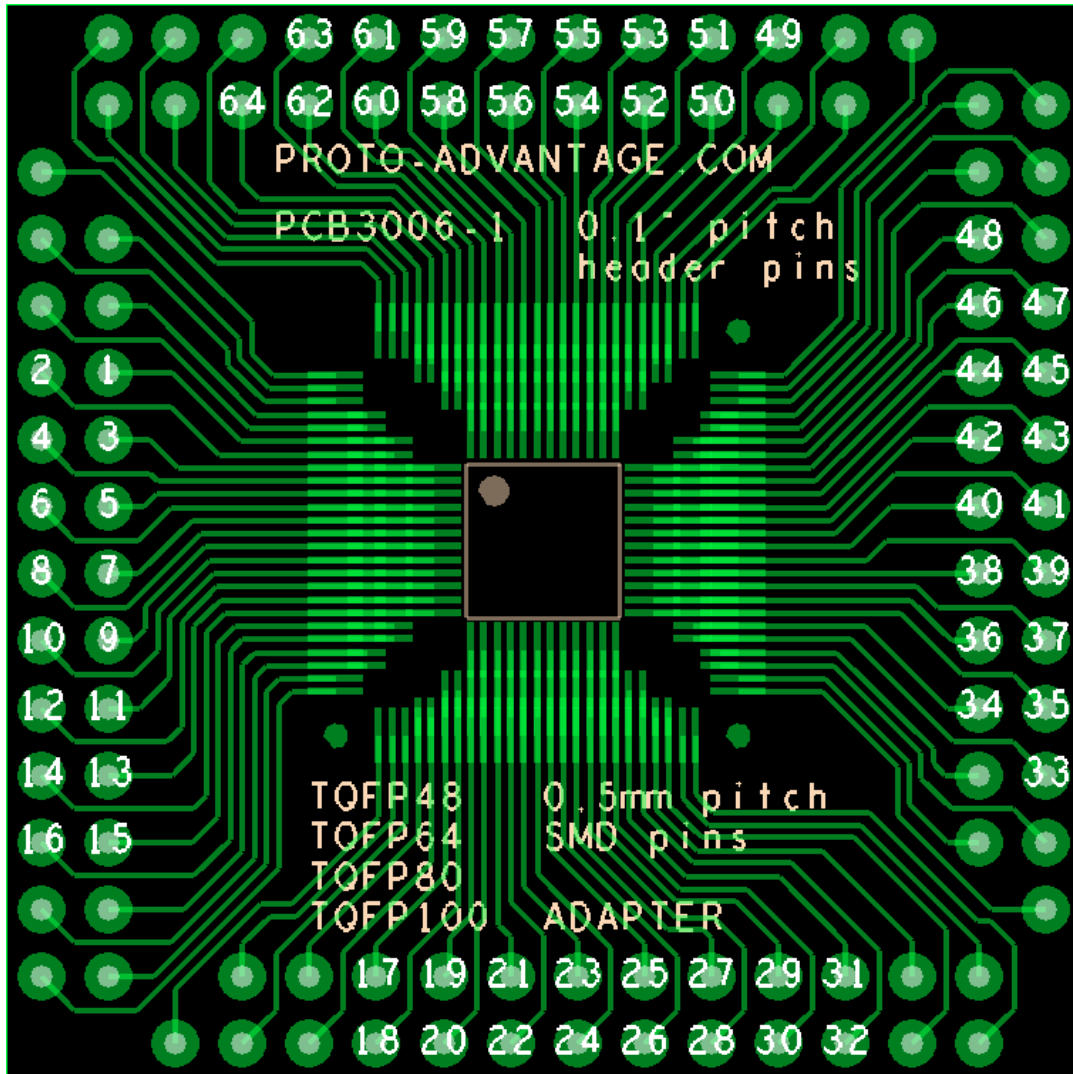
DIMENSIONS						
REF.	mm			inches		
	MIN.	TYP.	MAX.	MIN.	TYP.	MAX.
A		9.80				
A2		9.80				
B		1.50				
C		0.30				
D		0.20				
E		0.50				

Top View (SMT Footprint)



(Representative drawing only - not to scale)

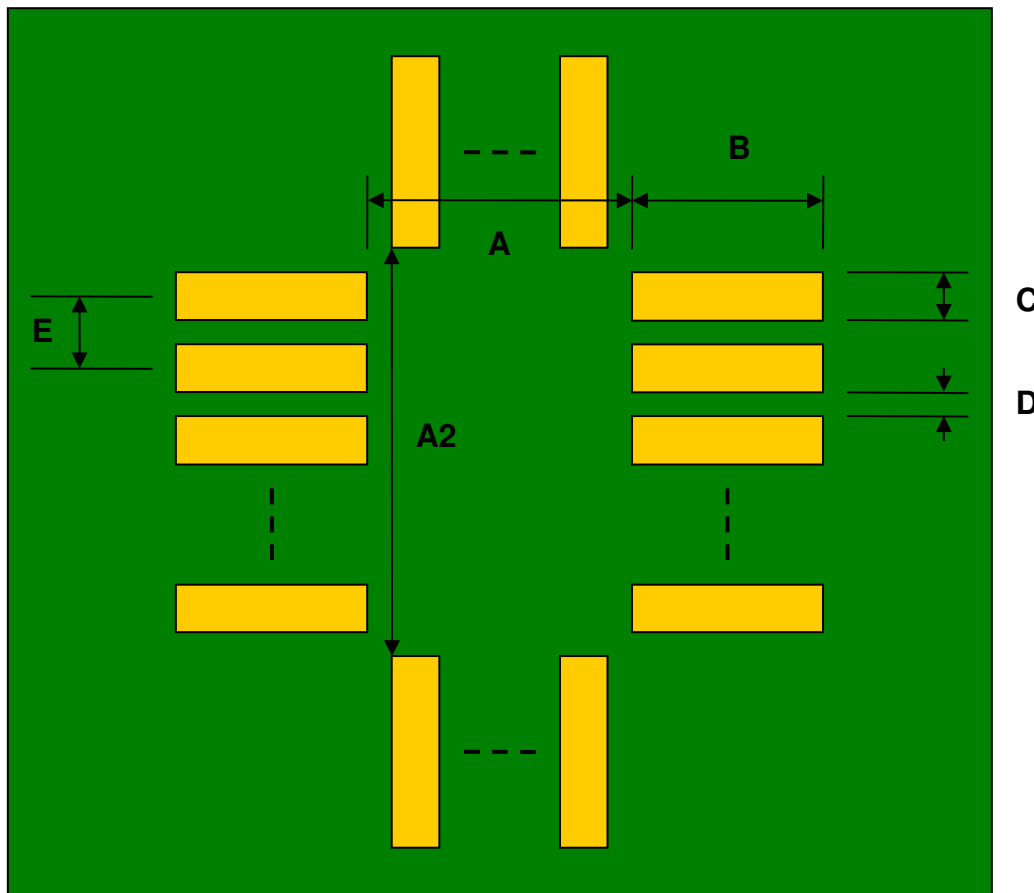
Pin Out 2 of 4: TQFP-64/LQFP-64/QFP-64  
to PGA-100 SMT Adapter (0.5 mm pitch, 10x10 mm body)



Footprint 3 of 4: TQFP-80/LQFP-80/QFP-80  
to PGA-100 SMT Adapter (0.5 mm pitch, 12x12 mm body)

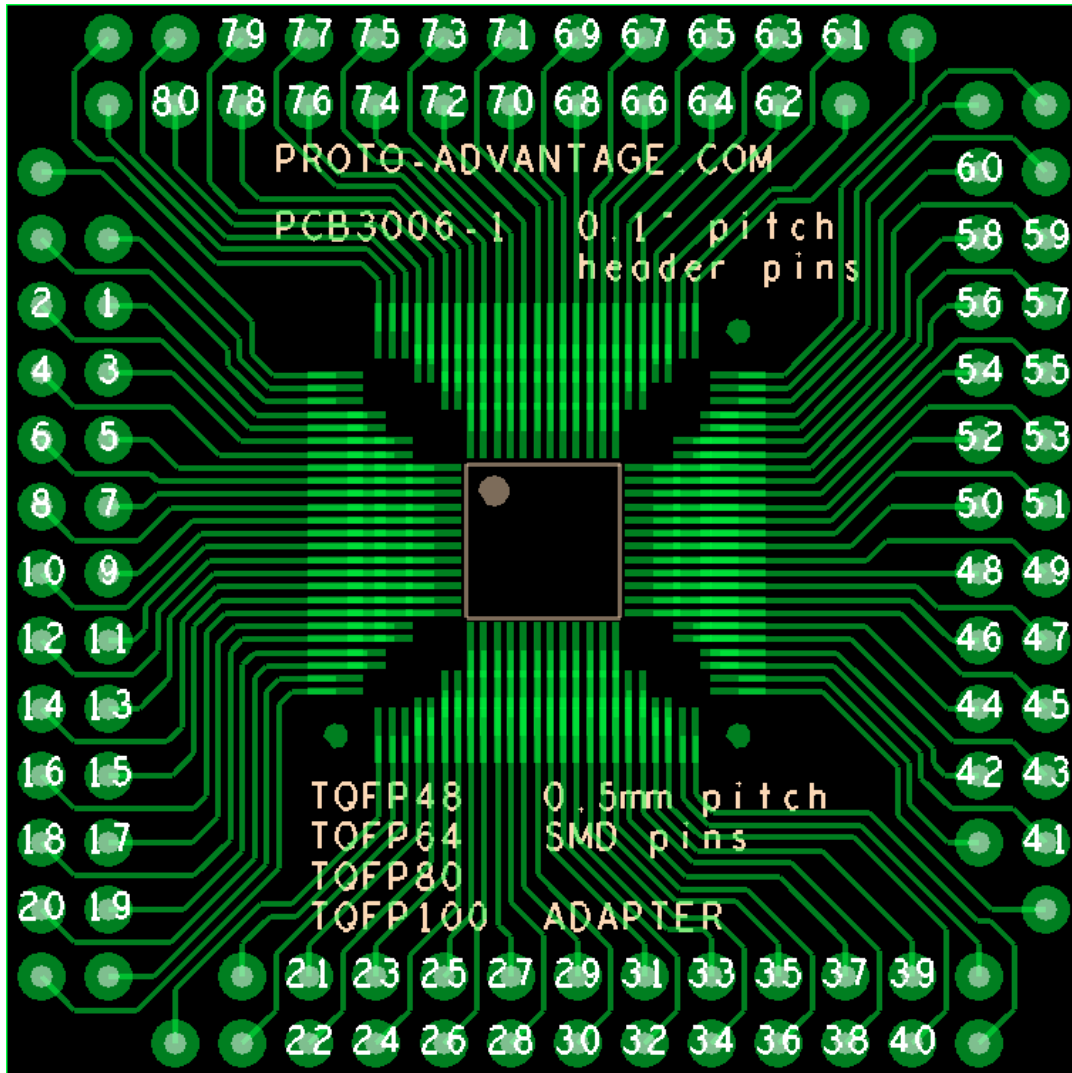
DIMENSIONS						
REF.	mm			inches		
	MIN.	TYP.	MAX.	MIN.	TYP.	MAX.
A		11.90				
A2		11.90				
B		1.50				
C		0.30				
D		0.20				
E		0.50				

Top View (SMT Footprint)



(Representative drawing only - not to scale)

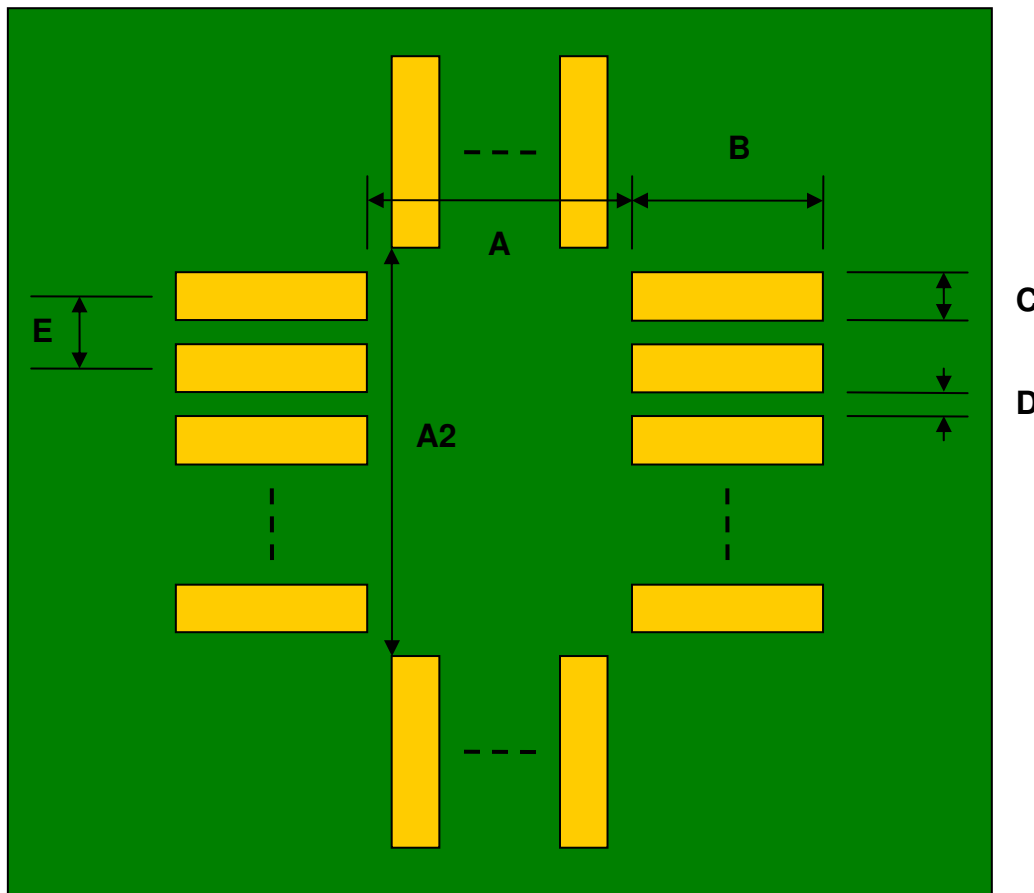
Pin Out 3 of 4: TQFP-80/LQFP-80/QFP-80  
to PGA-100 SMT Adapter (0.5 mm pitch, 12x12 mm body)



Footprint 4 of 4: TQFP-100/LQFP-100/QFP-100  
to PGA-100 SMT Adapter (0.5 mm pitch, 14x14mm body)

DIMENSIONS						
REF.	mm			inches		
	MIN.	TYP.	MAX.	MIN.	TYP.	MAX.
A		13.20				
A2		13.20				
B		2.10				
C		0.30				
D		0.20				
E		0.50				

Top View (SMT Footprint)



(Representative drawing only - not to scale)



Pin Out 4 of 4: TQFP-100/LQFP-100/QFP-100  
to PGA-100 SMT Adapter (0.5 mm pitch, 14x14mm body)

