



Chipsmall Limited consists of a professional team with an average of over 10 year of expertise in the distribution of electronic components. Based in Hongkong, we have already established firm and mutual-benefit business relationships with customers from,Europe,America and south Asia,supplying obsolete and hard-to-find components to meet their specific needs.

With the principle of "Quality Parts,Customers Priority,Honest Operation,and Considerate Service",our business mainly focus on the distribution of electronic components. Line cards we deal with include Microchip,ALPS,ROHM,Xilinx,Pulse,ON,Everlight and Freescale. Main products comprise IC,Modules,Potentiometer,IC Socket,Relay,Connector.Our parts cover such applications as commercial,industrial, and automotives areas.

We are looking forward to setting up business relationship with you and hope to provide you with the best service and solution. Let us make a better world for our industry!



Contact us

Tel: +86-755-8981 8866 Fax: +86-755-8427 6832

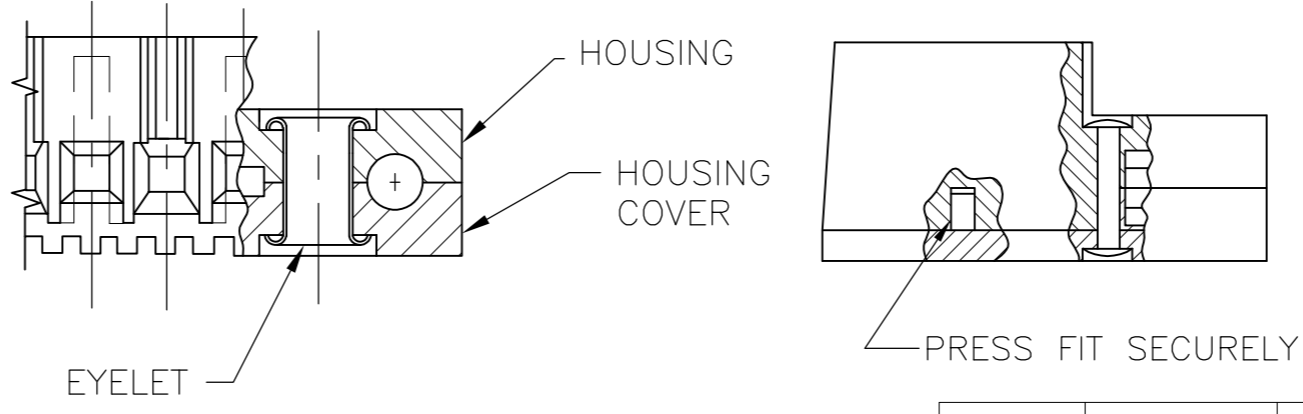
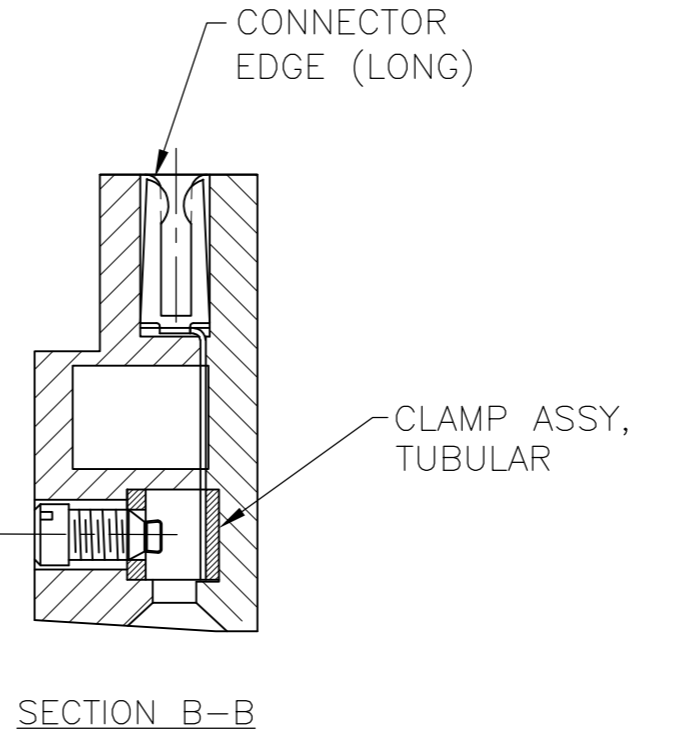
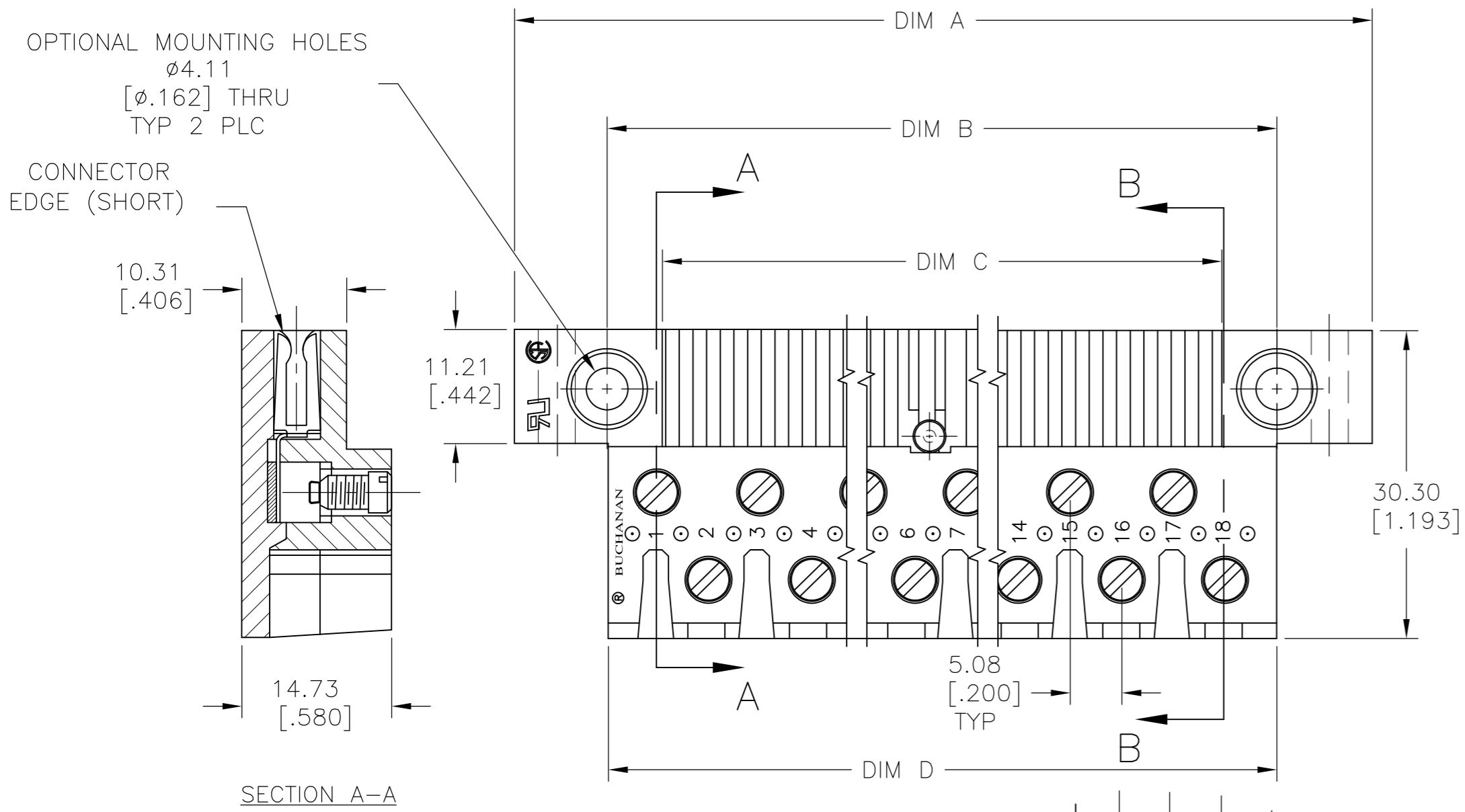
Email & Skype: info@chipsmall.com Web: www.chipsmall.com

Address: A1208, Overseas Decoration Building, #122 Zhenhua RD., Futian, Shenzhen, China



THIS DRAWING IS UNPUBLISHED. RELEASED FOR PUBLICATION
 © COPYRIGHT - By - ALL RIGHTS RESERVED.

LOC		DIST		REVISIONS			
P	LTR	DESCRIPTION		DATE	DWN	APVD	
	G	REVISED PER ECO-13-011850		13NOV2013	KH	MB	



MATERIAL:
 HOUSING : POLYESTER UL94V-0, COLOR: BLACK.
 PC CONTACT : BRASS WITH TIN OR GOLD OVER NI.
 TUBULAR CONTACT : BRASS
 SCREW : ZINC PLATED STEEL

MECHANICAL PROPERTIES:
 SCREW SIZE : #6-32
 TIGHTENING TORQUE : 5-8 IN-LBS.
 BOARD INSERTION FORCE : 5.6 OZ. PER CKT.
 BOARD SEPARATION FORCE : 1.8 OZ. PER CKT.

ELECTRICAL PROPERTIES:
 MAX. CURRENT : 10A
 OPERATING VOLTAGE : 250V
 DIELECTRIC WITHSTAND : 2500V
 INSULATION RESISTANCE : 10^{11} OHMS
 CONTACT RESISTANCE : 6 MILLIOHMS
 WIRE RANGE : 1 OR 2 #18 SOL/STR

ENVIRONMENTAL PROPERTIES:
 OPERATING TEMPERATURE : -65°C TO +140°C

OBSOLETE	9.000	8.720	9.000	9.750	GOLD	44	PCB3A44A	1-1437411-4
	7.000	6.720	7.000	7.750	TIN	34	PCB3A34S	3-1546107-4
	6.600	6.320	6.600	7.350	GOLD	32	PCB3A32A	1437411-9
	6.200	5.920	6.200	6.950	GOLD	30	PCB3A30A	1437411-7
	5.000	4.720	5.000	5.750	TIN	24	PCB3A24S	1437411-6
	4.600	4.320	4.600	5.350	TIN	22	PCB3A22S	1437411-4
	3.812	3.520	3.812	4.550	TIN	18	PCB3A18S	1437411-2
OBSOLETE	3.812	3.520	3.812	4.550	GOLD	18	PCB3A18A	9-1437410-9
OBSOLETE	3.400	3.120	3.400	4.150	GOLD	16	PCB3A16A	9-1437410-7
OBSOLETE	2.600	2.320	2.600	3.350	GOLD	12	PCB3A12A	9-1437410-3
OBSOLETE	2.200	1.920	2.200	2.950	TIN	10	PCB3A10S	9-1437410-2
OBSOLETE	3.200	1.920	2.200	2.950	GOLD	10	PCB3A10A	9-1437410-1
OBSOLETE	1.800	1.520	1.800	2.550	GOLD	8	PCB3A08A	8-1437410-9
OBSOLETE	1.400	1.120	1.400	2.150	TIN	6	PCB3A06S	8-1437410-8
	DIM D	DIM C BOARD WIDTH	DIM B	DIM A	CONTACT FINISH	NO OF POSITION	CATALOG NUMBER	PART NUMBER

THIS DRAWING IS A CONTROLLED DOCUMENT.

DWN RAGHAVENDRA 04SEP2008
 CHK 04SEP2008
 SAM MACE
 APVD SAM MACE 04SEP2008
 PRODUCT SPEC
 APPLICATION SPEC

TE Connectivity

PCB3A SERIES ASSEMBLY, 5.08[.200] PITCH

DIMENSIONS: mm [INCHES]
 TOLERANCES UNLESS OTHERWISE SPECIFIED:
 0 PLC ± -
 1 PLC ± -
 2 PLC ± 0.3[.01]
 3 PLC ± 0.13[.005]
 4 PLC ± -
 ANGLES ± -

MATERIAL FINISH WEIGHT

SIZE A2 CAGE CODE 00779 DRAWING NO C-8-1437410-8 RESTRICTED TO

CUSTOMER DRAWING SCALE 2:1 SHEET 1 OF 1 REV G