



Chipsmall Limited consists of a professional team with an average of over 10 year of expertise in the distribution of electronic components. Based in Hongkong, we have already established firm and mutual-benefit business relationships with customers from,Europe,America and south Asia,supplying obsolete and hard-to-find components to meet their specific needs.

With the principle of “Quality Parts,Customers Priority,Honest Operation,and Considerate Service”,our business mainly focus on the distribution of electronic components. Line cards we deal with include Microchip,ALPS,ROHM,Xilinx,Pulse,ON,Everlight and Freescale. Main products comprise IC,Modules,Potentiometer,IC Socket,Relay,Connector.Our parts cover such applications as commercial,industrial, and automotives areas.

We are looking forward to setting up business relationship with you and hope to provide you with the best service and solution. Let us make a better world for our industry!



Contact us

Tel: +86-755-8981 8866 Fax: +86-755-8427 6832

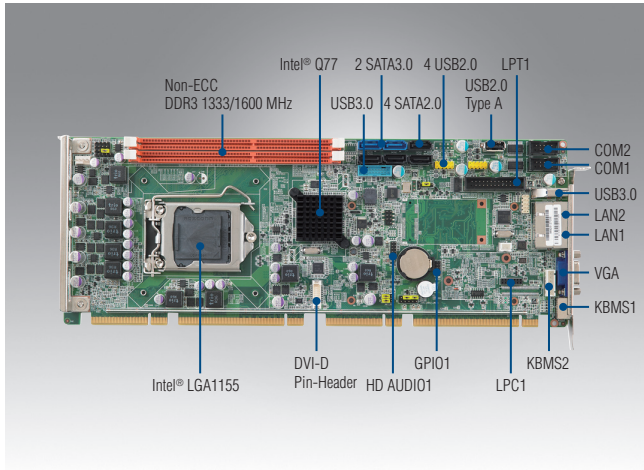
Email & Skype: info@chipsmall.com Web: www.chipsmall.com

Address: A1208, Overseas Decoration Building, #122 Zhenhua RD., Futian, Shenzhen, China



PCE-5127

LGA1155 Intel® Core™ i7/i5/i3 SHB DDR3/
SATA 3.0/USB3.0/Dual GbE



Features

- LGA1155 Intel® Core™ i7/i5/i3 and Pentium® processors
- Dual Channel (Non-ECC) DDR3 1333/1600 up to 16 GB
- Supports USB3.0, SATA3.0, SW Raid 0, 1, 5, 10
- Out-of-band remote management with iAMT8.0 and TPM 1.2 (optional)
- Supports embedded software APIs and utilities

Software APIs:



Watchdog H/W Monitor GPIO

Utilities:



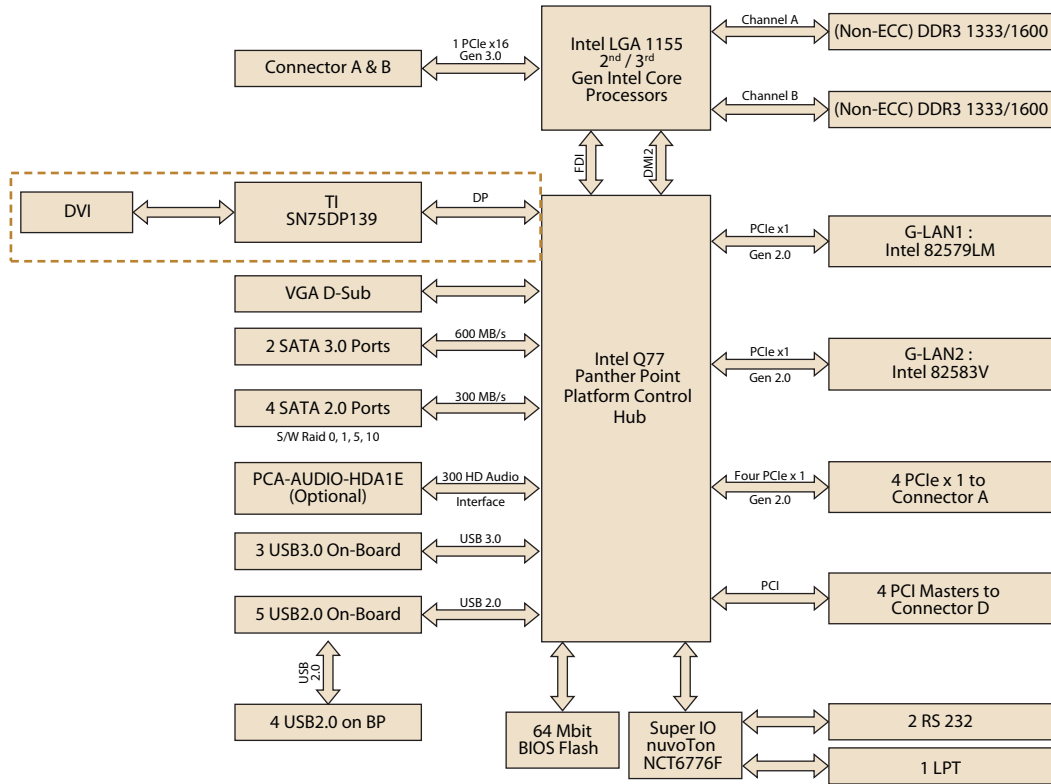
Monitoring



Specifications

Processor System	CPU	Core i7-3770	Core i5-3550S	Core i3-3220	Pentium G2120	Pentium G850	Celeron G540	
	Base Frequency	3.4 GHz	3.0 GHz	3.3 GHz	3.1 GHz	2.9 GHz	2.5 GHz	
	L3 Cache	8 MB	6 MB	3 MB	3 MB	3 MB	2 MB	
	SKU/Chipset	Intel Q77						
	BIOS	AMI 64Mbit SPI Flash						
Bus	PCI-Express	One x16 plus four x1 to backplane						
	PCI	Four 32-bit 33 MHz PCI Masters to backplane						
Memory	Technology	Dual channel (Non-ECC) DDR3 1333/1600						
	Max. Cap.	16 GB (8 GB per DIMM)						
	Socket	DDR3 240-pin DIMM x 2						
Graphics	Controller	Chipset integrated Intel HD Graphics						
	VRAM	Shared system memory is subject to OS						
	Video Output	15 Pin VGA D-sub Connector x1/DVI-D connector x1 (Pin Header)						
Ethernet	Interface	10/100/1000 Mbps						
	Controller	LAN 1: Intel 82579LM LAN 2: Intel 82583V						
	Connector with LED	RJ45 x 2						
SATA	S/W Raid 0, 1, 5, 10	SATA 2.0 x 4 (300 MB/sec) SATA 3.0 x 2 (600 MB/sec)						
I/O Interface	USB	Nine USB2.0 (Pin-header*4+USB Type A*1+ 4 on backplane); Three USB3.0 (Pin-Header*2+Rear*1)						
	Serial	2 x RS-232 Pin-Header						
	Parallel	1 (SPP/EPP/ECP)						
	PS/2	1 (Y cable for mouse and keyboard is included in the package)						
Watchdog Timer	Output	System reset						
	Interval	Programmable 1-255 sec						
Miscellaneous	Audio	Intel High Definition audio interface (required an audio extension module P/N: PCA-AUDIO-HDA1E)						
Power Requirement	Test environment	Core i7-3770 3.4GHz+DDR3 1333 4G X 2						
	Voltage	+12 V	+5 V	+3.3 V	+5 VSB	-12 V	-5 V	
	Current	5.37 A	0.98 A	1.44 A	0.42 A	0.01 A	0 A	
Environment	Temperature/Humidity	Operating				Non-operating		
		0 ~ 60° C (32~140° F); It subjects to CPU TDP and system thermal solution.				-40 ~ 85° C and 60° C @ 95% RH Non-Condensing		
		Operating humidity: 40° C @ 85% RH Non-Condensing						
Physical	Dimensions	338 mm (L) x 122 mm (W) (13.3" x 4.8")						

Block Diagram



Ordering Information

Part Number	PCH	Memory	Backplane	LAN	VGA	DVI-D	COM	SATA II	SATA III	USB 2.0	USB 3.0	S/W RAID	iAMT
PCE-5127G2-00A1E	Q77	Non-ECC	PCE-5BXX	2	Yes	Yes*	2	4	2	9	3	Yes	Yes

*Note: 1.Output DVI-D signal only (Required DVI-D cable)

Optional Accessories

Part Number	Description
1960047831N001	PCE-5127 optimized CPU Cooler (2U)
PCA-AUDIO-HDA1E	Audio extension module
PCA-TPM-00A1E	Trusted Platform Module compliant TCG 1.2
1700020277-01	2 ports USB 3.0 cable W/ BKT(30cm)
1700008822-11	DVI-D Cable
PCA-COM232-00A1E	4 Ports RS-232 Module by LPC

Packing List

Part Number	Description	Quantity
1700003194	Serial ATA HDD data cable	x2
1700022749-11	Serial ATA HDD power cable	x1
1701260305	COM + printer ports cable kit	x1
1700060202	Keyboard and mouse Y-cable	x1
1700008461	4-port USB cable kit	x1
9689000068	Jumper package	x1
2190000902	Warranty Card	x1
2006512700	Startup manual	x1
2066512700	Utility CD	x1

Bracket View



PCE-5127G2-00A1E