



Chipsmall Limited consists of a professional team with an average of over 10 year of expertise in the distribution of electronic components. Based in Hongkong, we have already established firm and mutual-benefit business relationships with customers from,Europe,America and south Asia,supplying obsolete and hard-to-find components to meet their specific needs.

With the principle of “Quality Parts,Customers Priority,Honest Operation,and Considerate Service”,our business mainly focus on the distribution of electronic components. Line cards we deal with include Microchip,ALPS,ROHM,Xilinx,Pulse,ON,Everlight and Freescale. Main products comprise IC,Modules,Potentiometer,IC Socket,Relay,Connector.Our parts cover such applications as commercial,industrial, and automotives areas.

We are looking forward to setting up business relationship with you and hope to provide you with the best service and solution. Let us make a better world for our industry!



Contact us

Tel: +86-755-8981 8866 Fax: +86-755-8427 6832

Email & Skype: info@chipsmall.com Web: www.chipsmall.com

Address: A1208, Overseas Decoration Building, #122 Zhenhua RD., Futian, Shenzhen, China



REVISION C

DO NOT SCALE FROM THIS PRINT

NOTES:

1. ⊕ REPRESENTS A CRITICAL DIMENSION.
2. PARTS TO BE PACKAGED IN TUBE.
3. SPECIAL GAGE AT-2019-049 TO BE USED FOR DIMENSIONS C1, C2, C4, C5 C6, C7 CHECK.

DESIGNED & DIMENSIONED IN MILLIMETERS [INCHES]

PCIE-XXX-02-X-D-RA

NO OF POSITIONS
-036, -064, -098, -164 (DOUBLE ROW)

LEAD STYLE
-02: 1.57 [0.062"] THICK CARD

PLATING SPECIFICATION
(VALUES GIVEN ARE IN MICRO INCHES)
-S: 30u" MIN Au/50u" Ni IN CONTACT, MATING TIN ON TAIL
-F: 3u" MIN Au/50u" Ni IN CONTACT, MATING TIN ON TAIL

OPTION
-RA: RIGHT ANGLE

ROW SPECIFICATION
-D: DOUBLE ROW

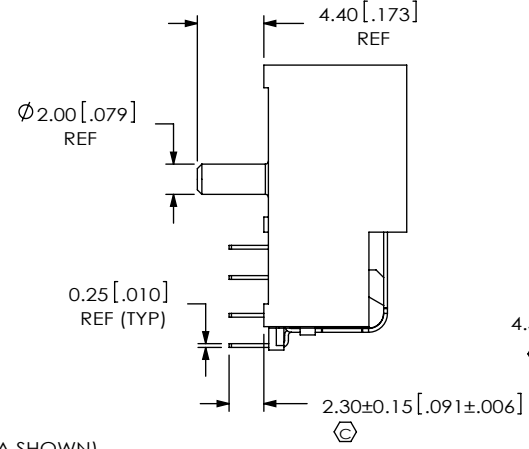
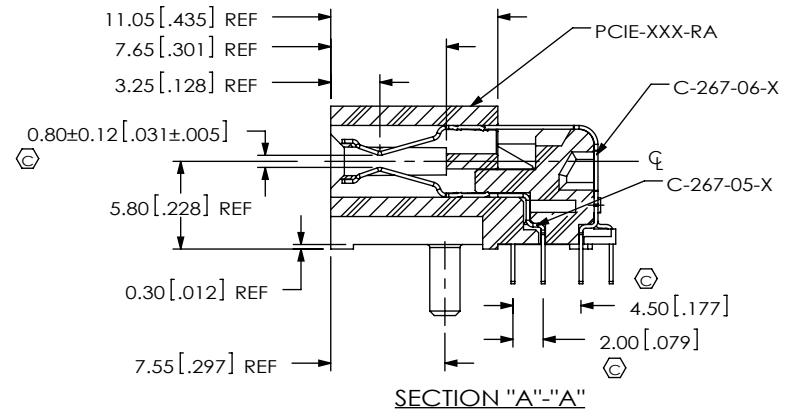
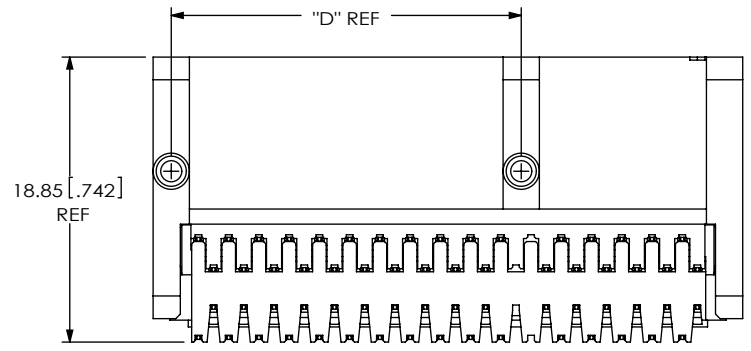
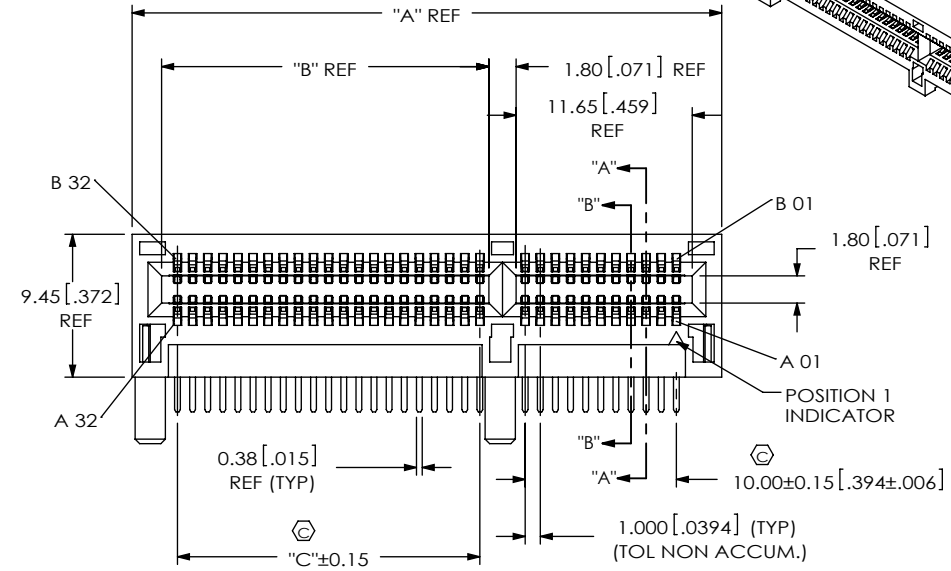
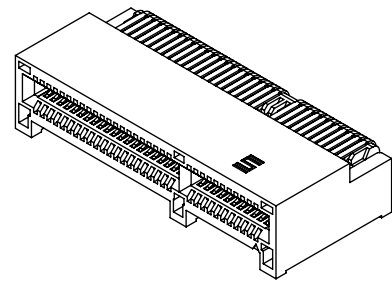
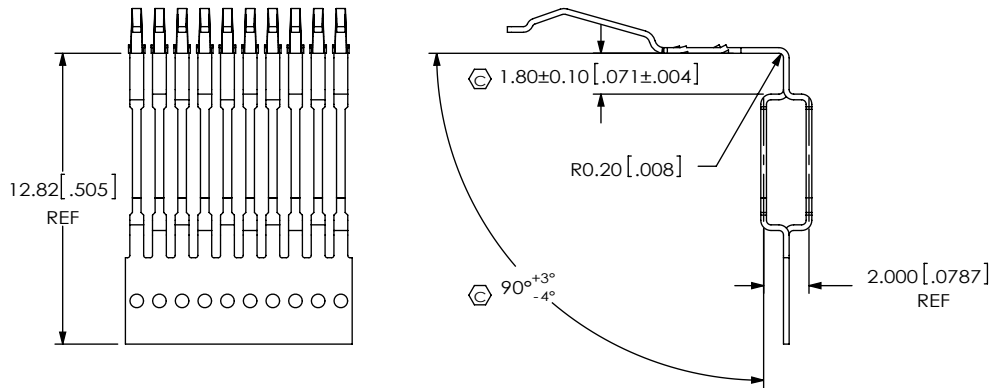


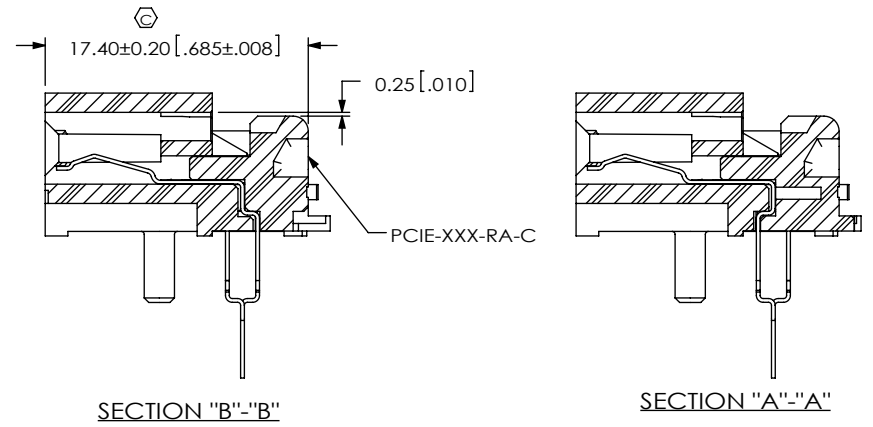
FIG. 1
(PCIE-064-02-X-D-RA SHOWN)

SECTION "B"-"B"
(SAME AS SECTION "A"-"A", EXCEPT AS SHOWN)

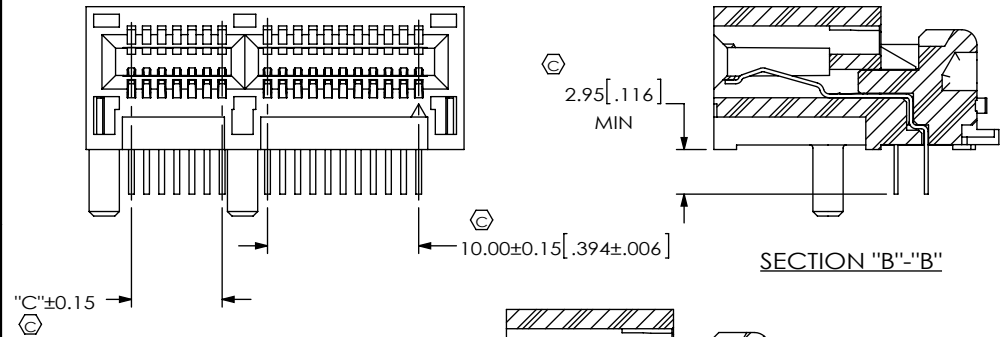
<p>UNLESS OTHERWISE SPECIFIED, DIMENSIONS ARE IN MILLIMETERS [INCHES]. TOLERANCES ARE: DECIMALS ANGLES X.X: ±0.3 [0.1] X.XX: ±0.13 [0.005] X.XXX: ±0.051 [0.0020]</p>	<p>PROPRIETARY NOTE THIS DOCUMENT CONTAINS CONFIDENTIAL AND PROPRIETARY INFORMATION AND ALL DESIGN, MANUFACTURING, REPRODUCTION, USE, PATENT RIGHTS AND SALES RIGHTS ARE EXPRESSLY RESERVED BY SAMTEC, INC. THIS DOCUMENT SHALL NOT BE DISCLOSED, IN WHOLE OR PART, TO ANY UNAUTHORIZED PERSON OR ENTITY NOR REPRODUCED, TRANSFERRED OR INCORPORATED IN ANY OTHER PROJECT IN ANY MANNER WITHOUT THE EXPRESS WRITTEN CONSENT OF SAMTEC, INC.</p>	<p>samtec 520 PARK EAST BLVD, NEW ALBANY, IN 47150 PHONE: 812-944-6733 FAX: 812-948-5047 e-Mail: info@SAMTEC.com code 55322</p>
<p>INSULATOR: LCP, COLOR: BLACK CONTACT: PHOS BRONZE</p>	<p>DWG. NO. PCIE-XXX-02-X-D-RA</p>	<p>BY: ROY LUO 10/21/2009 SHEET 1 OF 3</p>



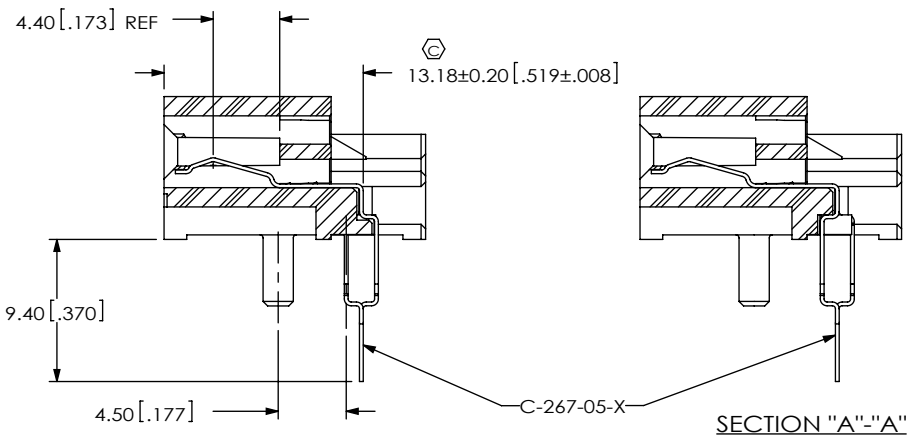
IN-PROCESS 1
(FORM CONTACT C-267-05-X)



IN-PROCESS 3
(FILL PCIE-XXX-RA-C)



IN-PROCESS 4
(CUTOFF OF CARRIER)



SECTION "B"-"B"

SECTION "A"-"A"

IN-PROCESS 2
(FILL BOTTOM ROW)

PROPRIETARY NOTE
THIS DOCUMENT CONTAINS CONFIDENTIAL AND PROPRIETARY INFORMATION AND ALL DESIGN, MANUFACTURING, REPRODUCTION, USE, PATENT RIGHTS AND SALES RIGHTS ARE EXPRESSLY RESERVED BY SAMTEC, INC. THIS DOCUMENT SHALL NOT BE DISCLOSED, IN WHOLE OR PART, TO ANY UNAUTHORIZED PERSON OR ENTITY NOR REPRODUCED, TRANSFERRED OR INCORPORATED IN ANY OTHER PROJECT IN ANY MANNER WITHOUT THE EXPRESS WRITTEN CONSENT OF SAMTEC, INC.

DO NOT SCALE DRAWING

SHEET SCALE: 2:1

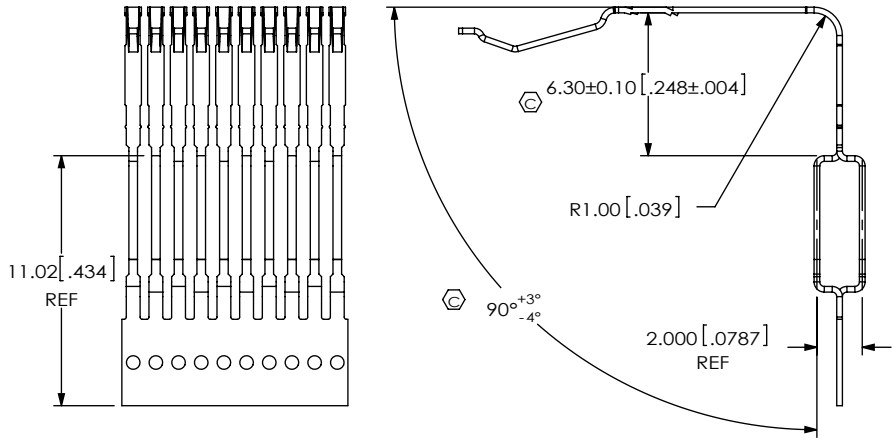


520 PARK EAST BLVD, NEW ALBANY, IN 47150
PHONE: 812-944-6733 FAX: 812-948-5047
e-Mail: info@SAMTEC.com code 55322

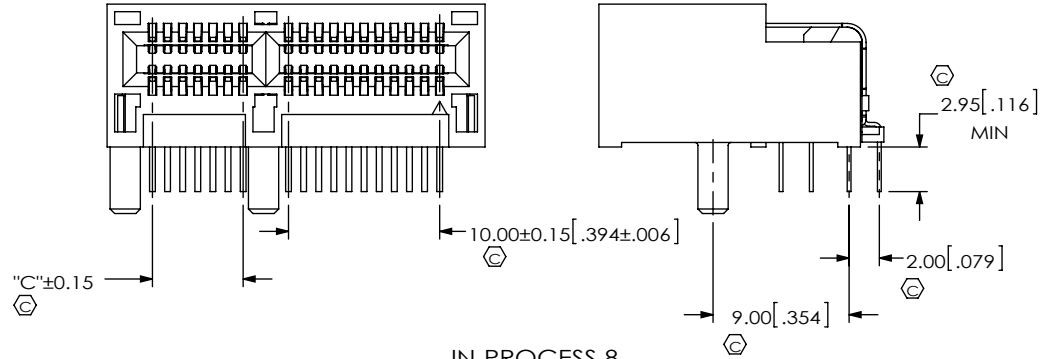
DESCRIPTION:
PCI EXPRESS RIGHT ANGLE ASSEMBLY

DWG. NO.
PCI-E-XXX-02-X-D-RA

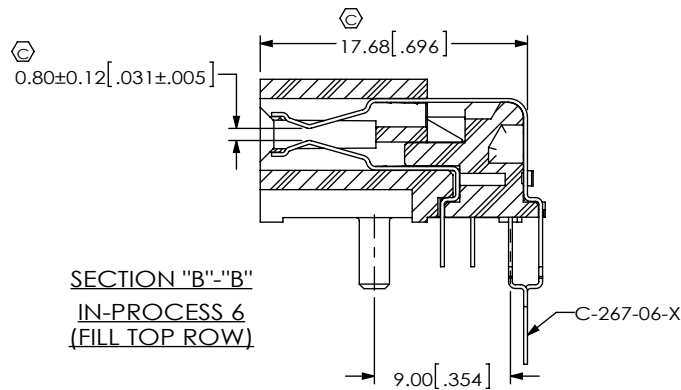
BY: ROY LUO 10/21/2009 SHEET 2 OF 3



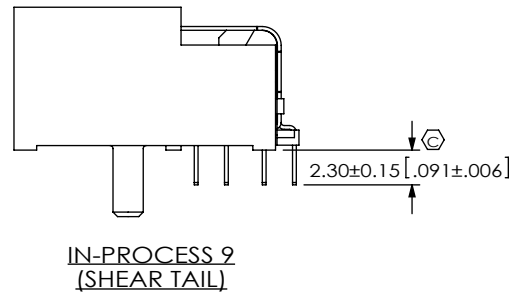
IN-PROCESS 5
(FORM CONTACT C-267-06-X)



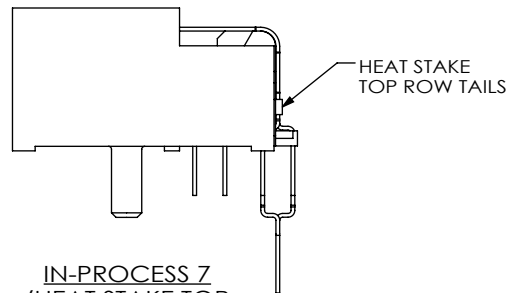
IN-PROCESS 8
(CUT OFF TOP CONTACT CARRIER)



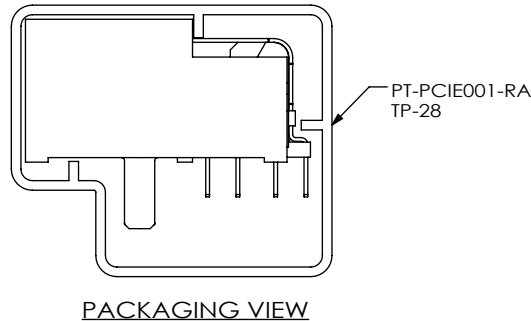
SECTION "B"-"B"
IN-PROCESS 6
(FILL TOP ROW)



IN-PROCESS 9
(SHEAR TAIL)



IN-PROCESS 7
(HEAT STAKE TOP ROW CONTACTS)



PACKAGING VIEW

F:\dwg\misc\mktg\PCIE-XXX-02-X-D-RA-MKT.SLDDRW

PROPRIETARY NOTE
THIS DOCUMENT CONTAINS CONFIDENTIAL AND PROPRIETARY INFORMATION AND ALL DESIGN, MANUFACTURING, REPRODUCTION, USE, PATENT RIGHTS AND SALES RIGHTS ARE EXPRESSLY RESERVED BY SAMTEC, INC. THIS DOCUMENT SHALL NOT BE DISCLOSED, IN WHOLE OR IN PART, TO ANY UNAUTHORIZED PERSON OR ENTITY NOR REPRODUCED, TRANSFERRED OR INCORPORATED IN ANY OTHER PROJECT IN ANY MANNER WITHOUT THE EXPRESS WRITTEN CONSENT OF SAMTEC, INC.

DO NOT SCALE DRAWING

SHEET SCALE: 2:1



520 PARK EAST BLVD, NEW ALBANY, IN 47150
PHONE: 812-944-6733 FAX: 812-948-5047
e-Mail: info@SAMTEC.com code 55322

DESCRIPTION:
PCI EXPRESS RIGHT ANGLE ASSEMBLY

DWG. NO.
PCIE-XXX-02-X-D-RA

BY: ROY LUO 10/21/2009 SHEET 3 OF 3