



Chipsmall Limited consists of a professional team with an average of over 10 year of expertise in the distribution of electronic components. Based in Hongkong, we have already established firm and mutual-benefit business relationships with customers from,Europe,America and south Asia,supplying obsolete and hard-to-find components to meet their specific needs.

With the principle of “Quality Parts,Customers Priority,Honest Operation,and Considerate Service”,our business mainly focus on the distribution of electronic components. Line cards we deal with include Microchip,ALPS,ROHM,Xilinx,Pulse,ON,Everlight and Freescale. Main products comprise IC,Modules,Potentiometer,IC Socket,Relay,Connector.Our parts cover such applications as commercial,industrial, and automotives areas.

We are looking forward to setting up business relationship with you and hope to provide you with the best service and solution. Let us make a better world for our industry!



## Contact us

Tel: +86-755-8981 8866 Fax: +86-755-8427 6832

Email & Skype: info@chipsmall.com Web: www.chipsmall.com

Address: A1208, Overseas Decoration Building, #122 Zhenhua RD., Futian, Shenzhen, China



REVISION U

DO NOT SCALE FROM THIS PRINT

- NOTES:
1.  $\text{\textcircled{C}}$  REPRESENTS CRITICAL DIMENSION.
  2. PARTS ARE ROHS COMPLIANT.
  3. PARTS TO BE PACKAGED IN TUBES.  
(PT-1-24-01-52 AND TP-13)

PCIE-XXX-02-X-D-TH

**POSITIONS**  
-036, -064, -098, -164  
(SEE TABLE 1)

**LEAD STYLE**  
-02: .062 [1.57] THICK CARD

**PLATING**  
 $\text{\textcircled{C4}}$  -F: 1 $\mu$ " FLASH GOLD IN CONTACT AREA, BRIGHT ACID TIN ON TAIL.

**TAIL OPTION**  
-TH: THROUGH HOLE

**ROW OPTION**  
-D: DOUBLE ROW

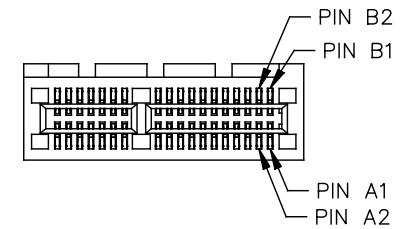
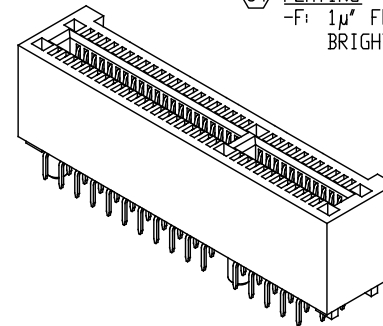
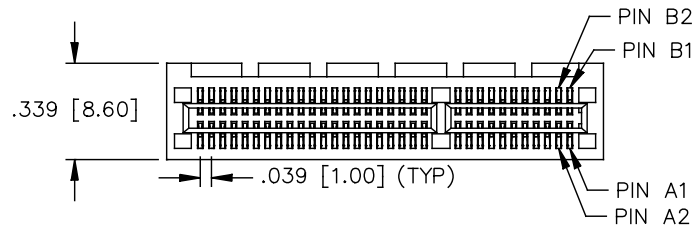


FIG 2  
PCIE-036-02-X-D-TH SHOWN  
(DIFFERENT AS SHOWN,  
OTHERWISE SAME AS FIG 1)

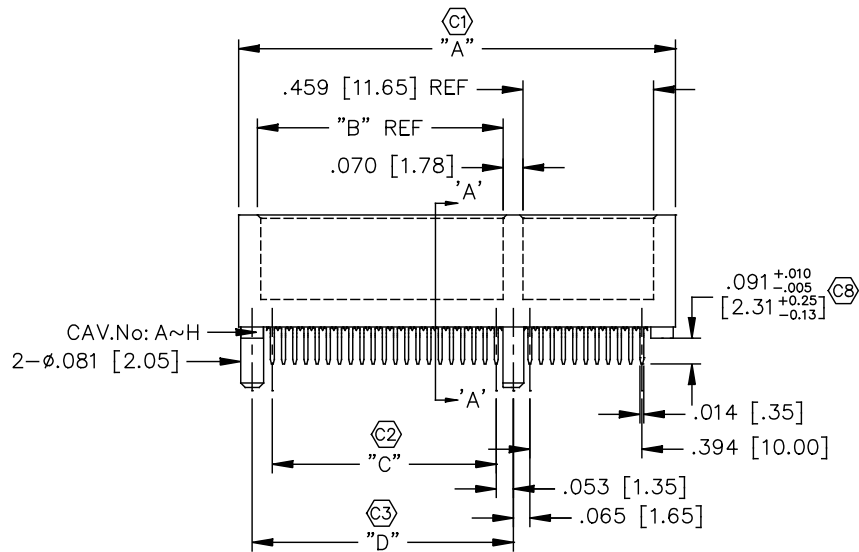
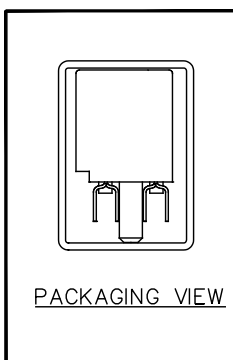
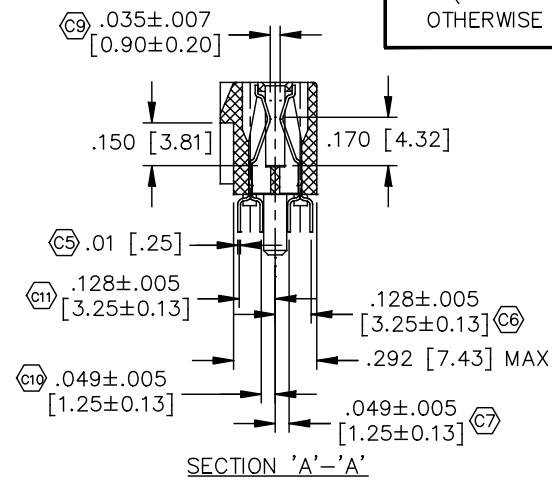


FIG 1  
PCIE-064-02-X-D-TH SHOWN



PACKAGING VIEW

POSITIONS	"A"	"B"	"C"	"D"	"E"	"F"
-036	.984 [25.00]	.301 [7.65]	.236 [6.00]	.360 [9.15]	.236 [6.00]	.321 [8.15]
-064	1.535 [39.00]	.852 [21.65]	.787 [20.00]	.911 [23.15]	.787 [20.00]	.872 [22.15]
-098	2.205 [56.00]	1.522 [38.65]	1.457 [37.00]	1.581 [40.15]	1.457 [37.00]	1.541 [39.15]
-164	3.504 [89.00]	2.821 [71.65]	2.756 [70.00]	2.879 [73.15]	2.756 [70.00]	2.840 [72.15]

UNLESS OTHERWISE SPECIFIED, DIMENSIONS ARE INCHES [MM]. TOLERANCES ARE:

DECIMALS .X: ±.10 .X: ±.10  
.XX: ±.020 .XX: ±.015  
.XXX: ±.015 .XXX: ±.010

DO NOT SCALE DRAWING  
INSULATOR: NYLON 6/6 (RATED UL94V-0)  
COLOR: BLACK  
CONTACT: PHOSPHOR BRONZE

SHEET SCALE: 1:2

F:\DWG\EXISPROD\ASSEMBLY\0\PCI-EXPRESS

**\*PROPRIETARY NOTE\***  
THIS DOCUMENT CONTAINS CONFIDENTIAL AND PROPRIETARY INFORMATION AND ALL DESIGN, MANUFACTURING, REPRODUCTION, USE, PATENT RIGHTS AND SALES RIGHTS ARE EXPRESSLY RESERVED BY SAMTEC, INC. THIS DOCUMENT SHALL NOT BE DISCLOSED, IN WHOLE OR PART, TO ANY UNAUTHORIZED PERSON OR ENTITY NOR REPRODUCED, TRANSFERRED OR INCORPORATED IN ANY OTHER PROJECT IN ANY MANNER WITHOUT THE EXPRESS WRITTEN CONSENT OF SAMTEC, INC.

**samtec**

520 PARK EAST BLVD. NEW ALBANY, IN 47150  
(812) 944-6733 P.O. BOX 1147 TWX: 810-540-4085

DESCRIPTION: PCI EXPRESS CARD CONNECTOR

DWG. NO. PCIE-XXX-02-X-D-TH

BY: HARPENAU 03/14/05 SHEET 1 OF 1

CODE: 55322