



Chipsmall Limited consists of a professional team with an average of over 10 year of expertise in the distribution of electronic components. Based in Hongkong, we have already established firm and mutual-benefit business relationships with customers from,Europe,America and south Asia,supplying obsolete and hard-to-find components to meet their specific needs.

With the principle of “Quality Parts,Customers Priority,Honest Operation,and Considerate Service”,our business mainly focus on the distribution of electronic components. Line cards we deal with include Microchip,ALPS,ROHM,Xilinx,Pulse,ON,Everlight and Freescale. Main products comprise IC,Modules,Potentiometer,IC Socket,Relay,Connector.Our parts cover such applications as commercial,industrial, and automotives areas.

We are looking forward to setting up business relationship with you and hope to provide you with the best service and solution. Let us make a better world for our industry!



Contact us

Tel: +86-755-8981 8866 Fax: +86-755-8427 6832

Email & Skype: info@chipsmall.com Web: www.chipsmall.com

Address: A1208, Overseas Decoration Building, #122 Zhenhua RD., Futian, Shenzhen, China

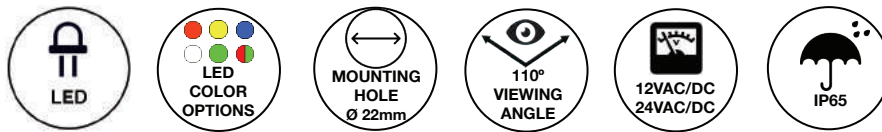




PCL22 Series Ø 0.88" (22mm) Pilot Light LED Panel Mount Indicator



PCL22 Series features a and modern design led pilot light for advance light diffusion, in several colors for easy application in different environments



Applications

- Industrial Machinery
- Transportation Dashboards
- Instrument Control Panels
- Maritime, Oil and Gas Industry
- Safety and Outdoor Applications
- Slot, Gaming and Vending Machines

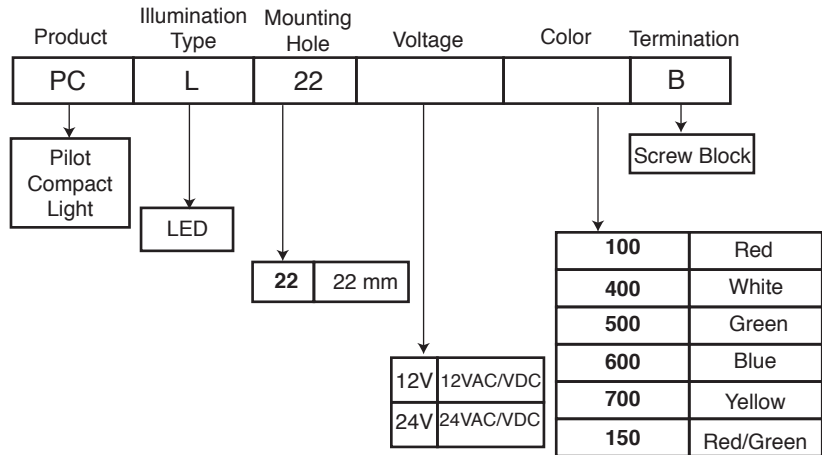
Key Features

- For panel hole diameter: 0.88" (22mm)
- Low profile flat lenses for uniform illumination
- Mounting hardware provided: washer and nut
- Diffused translucent lenses provide uniform illumination
- Advance light diffusion technology which eliminate hot spots.
- Designed for extreme harsh and outdoor environments.
- Available in five solid colors (red, green, white, blue and yellow) and one bicolor (red/green).
- "Double D" mounting hole prevent any rotation of the Pilot Light while the nut is being installed.
- 2 voltage options: 12VAC/DC and 24VAC/DC
- Pilot lights feature a large lens for a wide viewing angle
- Maximum installation torque: 221 ft-lb (300 N-m)
- LED Life Expectancy: Approx. 50,000 hours
- IP65 protection rating protect panels against entry of dust and moisture
- Resistant to shock and vibration
- Retrofit solution: save energy and reduce costs
- Other colors are available upon request
- CE and CCC Mark Approvals
- RoHS and REACH Compliant

Ordering Data

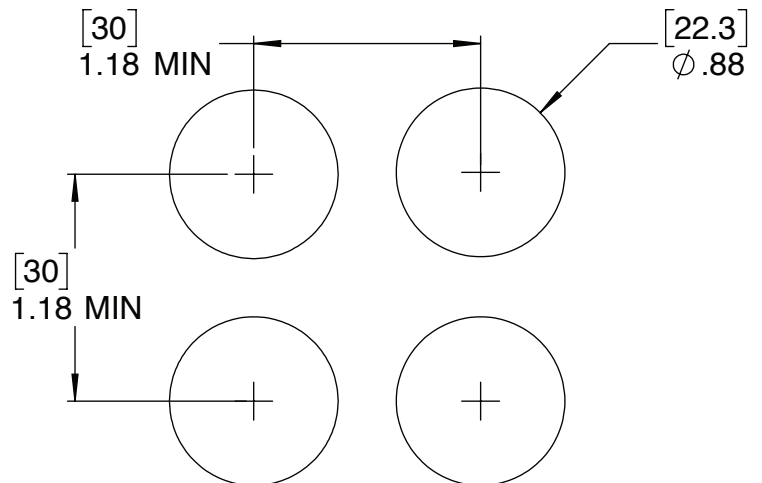
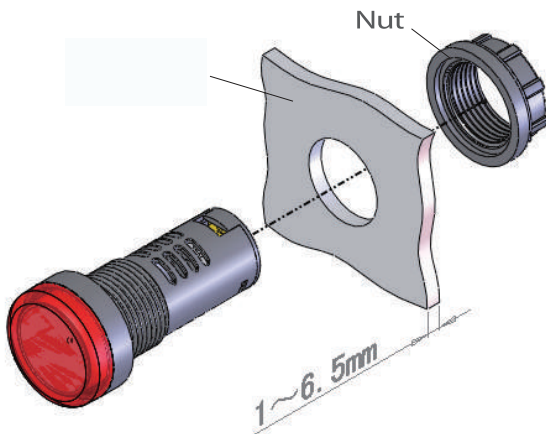
The PCL22 Series is available in a range of standard features and options. To specify your Panel Mount Indicator, select one option from each column.

Part Numbers	Color/Voltage
PCL2212V100B	Red/12V
PCL2212V400B	White/12V
PCL2212V500B	Green/12V
PCL2212V600B	Blue/12V
PCL2212V700B	Yellow/12V
PCL2212V150B	Red/Green/12V
PCL2224V100B	Red/24V
PCL2224V400B	White/24V
PCL2224V500B	Green/24V
PCL2224V600B	Blue/24V
PCL2224V700B	Yellow/24V
PCL2224V150B	Red/Green/24V



Installation Diagrams

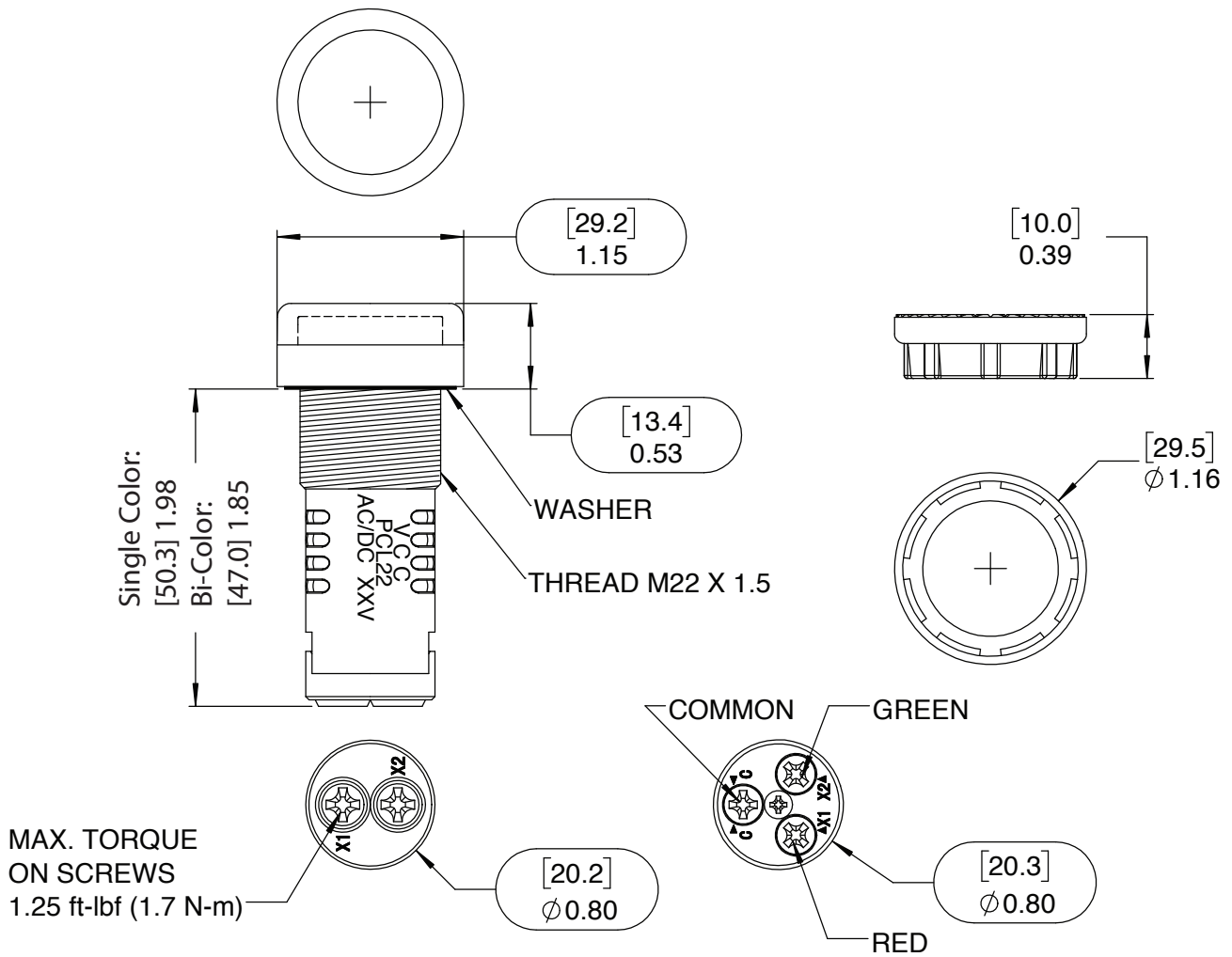
Minimum Distance Required Between Mounting Holes



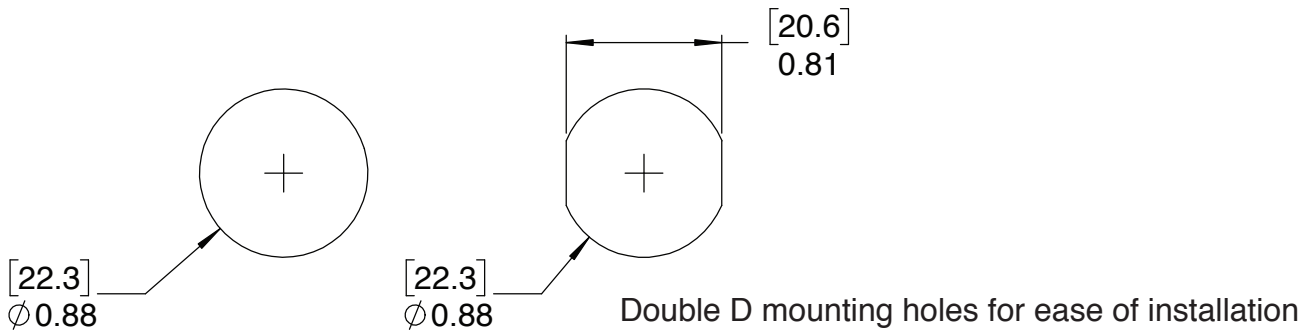
Notes:

1. All dimensions are in [millimeters] inches.
2. The specifications, characteristics and technical data described in the datasheet are subject to change without prior notice.

Product Dimensions



Recommended Mounting Holes



Notes:

1. All dimensions are in [millimeters] inches.
2. Tolerance is ± 0.4 mm or ± 0.02 in.
3. The specifications, characteristics and technical data described in the datasheet are subject to change without prior notice.

Product Specifications

Materials	
Housing	Black Polyamide 66 UL 94 V-0
Lens	Transparent Polycarbonate UL94 V-2
Diffuser	Acetal UL94 HB

Electrical Specifications	
Wattage	0.6W (for 12V Devices) 1.2W (for 24V Devices)
Operating Current	50mA (max.)
Frequency	50-60Hz

Temperature Specifications	
Operating Temperature	-25°C to +55°C -13°F to +131°F
Storage Temperature	-25°C to +55°C -13°F to +131°F

Installation Specifications	
Mounting Hole	0.880" (22.3 mm)
Panel Thickness	0.039" - 0.255" (1mm - 6.5mm)
Screw Block Bolt Torque Required	max. torque: 1.25 ft-lbf (1.7 Nm)
Mounting Torque (max.)	221 ft-lbs (300 N-m)

Optical Ratings:

Part Numbers	Color	Viewing Angle	Luminosity (mcd)	Wavelength (nm)
PCL22□V100B	Red	110°	≥75	620-630
PCL22□V400B	White	110°	≥75	445-450
PCL22□V500B	Green	110°	≥75	515-517
PCL22□V600B	Blue	110°	≥75	462-465
PCL22□V700B	Yellow	110°	≥75	585-588
PCL22□V150B	Red/Green	110°	≥75	620-630/515-517

Compliances and Approvals

