



Chipsmall Limited consists of a professional team with an average of over 10 year of expertise in the distribution of electronic components. Based in Hongkong, we have already established firm and mutual-benefit business relationships with customers from,Europe,America and south Asia,supplying obsolete and hard-to-find components to meet their specific needs.

With the principle of “Quality Parts,Customers Priority,Honest Operation,and Considerate Service”,our business mainly focus on the distribution of electronic components. Line cards we deal with include Microchip,ALPS,ROHM,Xilinx,Pulse,ON,Everlight and Freescale. Main products comprise IC,Modules,Potentiometer,IC Socket,Relay,Connector.Our parts cover such applications as commercial,industrial, and automotives areas.

We are looking forward to setting up business relationship with you and hope to provide you with the best service and solution. Let us make a better world for our industry!



Contact us

Tel: +86-755-8981 8866 Fax: +86-755-8427 6832

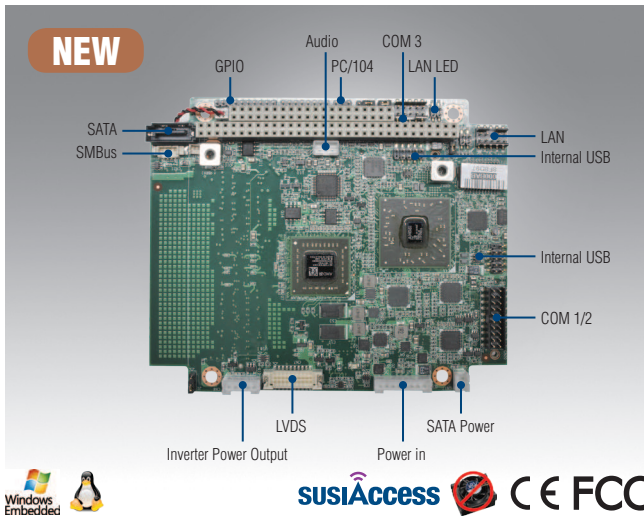
Email & Skype: info@chipsmall.com Web: www.chipsmall.com

Address: A1208, Overseas Decoration Building, #122 Zhenhua RD., Futian, Shenzhen, China



PCM-3356

AMD T16R, T40E, PC/104 SBC, VGA, LVDS, LAN, USB, COM, SATA



Features

- AMD® G-Series™ Processor T16R 615 MHz /T40E 1.0GHz
- Supports up to 4GB DDR3L SODIMM/1G DDR3L On board memory
- Supports 18-bit LVDS and VGA
- Supports 3 COM ports, 4 USB 2.0 ports, dual GbE and audio codec
- Supports extended temp: -40 ~ 85° C
- Expansion: PC/104 and half size mini PCIe
- Supports SUSIAccess and Embedded Software APIs

Software APIs:

- Watchdog
- SMBus
- H/W Monitor
- GPIO
- Brightness
- Backlight On/Off

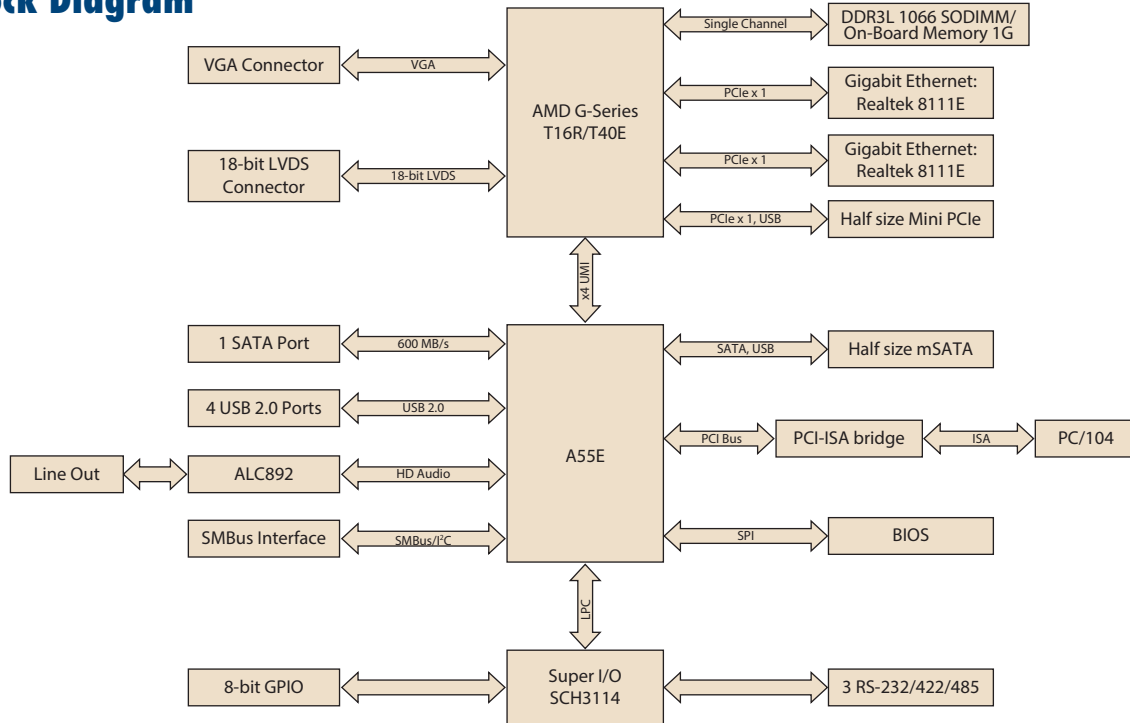
Utilities:

- BIOS flash
- Monitoring

Specifications

Processor System	CPU	AMD® G-Series™ T16R	AMD® G-Series™ T40E
	Core No	1	2
	Frequency	615 MHZ	1.0 GHz
	L2 Cache	512 KB	
	System Chipset	AMD G-Series + A55E	
Memory	BIOS	AMI 32-Mbit	
	Technology	1GB DDR3L 1066 MHZ	
	Max. Capacity	On Board memory: 1G SO-DIMM: 4G	
	Recommended DRAM	AQD-SD3L4GN16-SQ	
Display	Socket	1 x 204-pin SODIMM	
	Chipset	AMD G-Series	
	Graphics Engine	DirectX 11 graphics with UVD 3.0, Open CL 1.1, Open GL 4.0 Hardware decode (UVD 3) for H.264, VC-1 and MPEG2	
	VRAM	Optimized shared memory Architecture up to 384 MB system memory	
	LVDS	Supports up to 1280 x 800 @ 18-bit LVDS	
Ethernet	VGA	Supports up to 1920 x 1200 at 85Hz	
	Dual Display	LVDS + VGA	
	Interface	10/100/1000 Mbps	
Audio	Controller	LAN1: Realtek RTL8111E-VB-GR LAN2: Realtek RTL8111E-VB-GR	
	Connector	Box header	
WatchDog Timer	Chipset	Realtek ALC892, High Definition Audio (HD), Line out	
Internal I/O	Output System reset, Programmable 1 ~ 255 sec		
	SATA	1 x SATA 2.0	
	mSATA	1 (Half size)	
	USB	4 x USB 2.0	
	Serial	3 x RS-232/422/485 with auto flow control (ESD protection: Air gap ±15kV, Contact ±8kV)	
	SMBUS	1	
Expansion	GPIO	8-bit GPIO	
	PC/104 Slot	1	
Power	Mini PCI Express	1 (Half size)	
	Power Type	AT/ATX	
	Power Supply Voltage	5V only to boot up (12 V is optional for LCD inverter and add on card)	
	Power Consumption (Typical)	T16R: 1.17 A @ +5 V (5.85 W) T40E: 1.22 A @ +5 V (6.10 W)	
	Power Consumption (Max, test in)	T16R: 1.43 A @ +5 V (7.15 W) T40E: 1.77 A @ +5 V (8.85 W)	
	Power Management	ACPI 4.0	
Environment	Battery	Lithium 3 V / 210 mA	
	Operation	0 ~ 60° C (32 ~ 140° F) (Operational humidity: 40° C @ 85% RH non-condensing)	
Physical Characteristics	Non-Operation	-40° C ~ 85° C and 60° C @ 95% RH non-condensing	
	Dimensions (L x W)	96 x 115 mm (3.8" x 4.5")	
	Weight	0.590 kg (1.30 lb)	
	Height	Top side:19.5 mm (F), Bottom side:10.6 mm	

Block Diagram



Ordering Information

Part Number	CPU	Chipset	Memory	VGA	LVDS	mSATA	PC/104	GbE	USB 2.0	RS-232/422/485	Audio	Expansion	Thermal Solution	Operating Temp
PCM-3356F-S0A2E	T40E	A55E	SO-DIMM	1	18-bit	1	Yes	2	4	3	Yes	PC/104	Passive	0 ~ 60° C
PCM-3356F-1GM0A2E	T16R	A55E	1GB DDR3L on board	1	18-bit	1	Yes	2	4	3	Yes	PC/104	Passive	0 ~ 60° C
PCM-3356F-M0A2E	T16R	A55E	SO-DIMM	1	18-bit	1	Yes	2	4	3	Yes	PC/104	Passive	0 ~ 60° C
PCM-3356Z2-2GM0A2E	T16R	A55E	2GB Bundle	1	18-bit	1	Yes	2	4	3	Yes	PC/104	Passive	-40 ~ 85° C
PCM-3356FZ21GOBA2E	T16R	A55E	1GB DDR3L on board	1	18-bit	1	Yes	2	4	3	Yes	PC/104	Passive	-40 ~ 85° C

* Extended temperature SKU did not support 3D function

Packing List

Part No.	Description	Quantity
	PCM-3356 SBC	
	Startup Manual	
1700018799	M Cable SATA 7P/SATA 7P 90/180 25cm	1
1700000898	VGA cable D-SUB 15P(F)/12P-1.25MM 14CM x1	1
1703100121	2*5P-2.0/USB-A(F)*2 12CM x2	2
1701200220	COM RS-232 Cable 2*10P-2.0/D-SUB 9P(M)*1 22CM x1	1
1700019414	COM RS-422/485 Cable 2*5P-2.0/D-SUB 30CM x1	1
1700003491	ATX/AT power cable 1*8P-2.0/B4P-5.08*2 15cm x1	1
1700018259	SATA power cable for 5V connector, 1*5P-3.81/1*2P-2.0 20CM C=R,B	1
1700020638-01	Audio cable 1*3P-2.0/Phone JACK 20cm x1	1
1700017863	LAN cable RJ45/2*5P-2.0 15cm x2	2
1960058627T001	Heatsink for PCM-3356 (105 x 77.97 x 19.5 mm) for T40E/extend temperature SKU	1
9689000002	mini jumper pack (black) x1	1
9660104000	PC/104 screw and copper post package x1	1
1960069974T001	Heat sink A-T16R M-10.4W 105*78*10-SC PCM-3356A2 for T16R	1

Optional Accessories

Part No.	Description
165313222B	PC/104 connector 64-pin (Long pin)
165312022B	PC/104 connector 40-pin (Long pin)
1703150102	SATA Power cable B4P-5.08/SATA 15P 10cm x1
1960067501N001	Heat Spreader A-T56N M-23.9W 105x62.8x15.73-SC

Embedded OS/API

Embedded OS/API	Part No.	Description
WES7	2070012057	image WES7E PCM-3356 V5.1.5
Win XPE	2070012056	image WES2009 PCM-3356 V4.4 24MUJ; SA
WinCE 6.0		WinCE 6.0
WinCE 7.0	2070012240	image WEC7 PCM-3356 V1.0 Eng
Linux		Ubuntu 12.04
Software API		SUSI V3.0