



Chipsmall Limited consists of a professional team with an average of over 10 year of expertise in the distribution of electronic components. Based in Hongkong, we have already established firm and mutual-benefit business relationships with customers from,Europe,America and south Asia,supplying obsolete and hard-to-find components to meet their specific needs.

With the principle of “Quality Parts,Customers Priority,Honest Operation,and Considerate Service”,our business mainly focus on the distribution of electronic components. Line cards we deal with include Microchip,ALPS,ROHM,Xilinx,Pulse,ON,Everlight and Freescale. Main products comprise IC,Modules,Potentiometer,IC Socket,Relay,Connector.Our parts cover such applications as commercial,industrial, and automotives areas.

We are looking forward to setting up business relationship with you and hope to provide you with the best service and solution. Let us make a better world for our industry!



Contact us

Tel: +86-755-8981 8866 Fax: +86-755-8427 6832

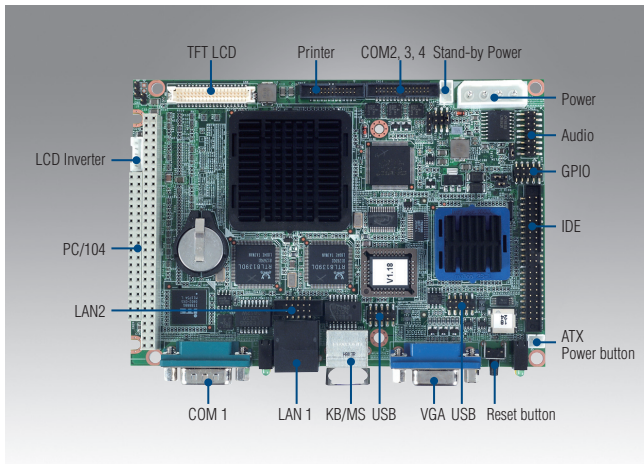
Email & Skype: info@chipsmall.com Web: www.chipsmall.com

Address: A1208, Overseas Decoration Building, #122 Zhenhua RD., Futian, Shenzhen, China



PCM-9375

AMD Geode™ LX800 3.5" SBC, VGA, LVDS/TTL, Dual Ethernet, IDE, CF, PC/104



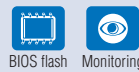
Features

- AMD Geode™ low-power LX800 500 MHz processor
- 24-bit TFT LCD interface, 18-bit LVDS LCD display
- Low power : 7-8 Watts, supports extended temperature -40 ~ 85° C
- Dual 10/100 Mbps Fast Ethernet
- Supports up to 4 COM ports, 4 USB ports, PC/104 expansion
- Supports SUSIAccess and Embedded Software APIs

Software APIs:



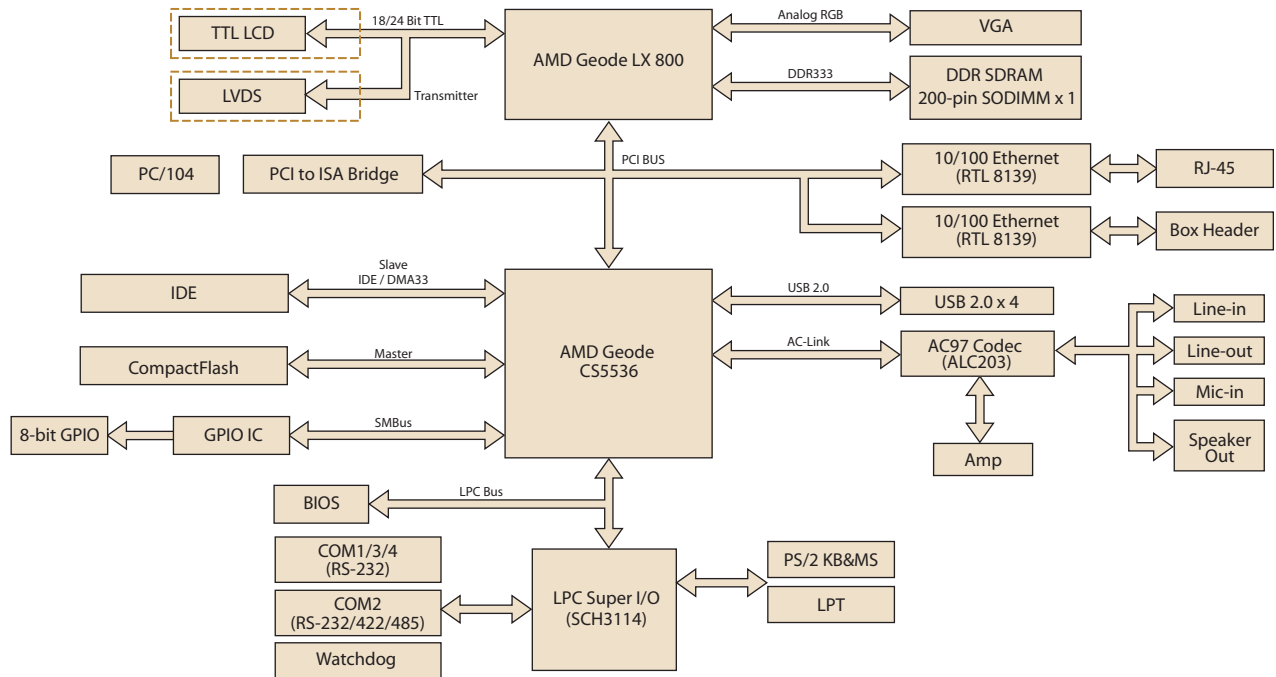
Utilities:



Specifications

Processor System	CPU	AMD Geode LX800 processor, up to 500 MHz
	Frequency	500 MHz
	L2 Cache	128 KB
	System Chipset	AMD Geode CS5536
	BIOS	Award 4 Mb Flash ROM BIOS
Memory	Technology	DDR 333 MHz
	Recommended DRAM	XELECTRO-12MC41DBJ
	Max. Capacity	1 GB
Display	Socket	1 x 200-pin SODIMM
	Chipset	AMD Geode LX800
	VRAM	Optimized shared memory architecture up to 64 MB system memory
	Graphics Engine	AMD Geode LX800 2D engine
	LVDS	1 x Single channel 18-bit LVDS (PCM-9375E), up to 1600 x 1200 x 32 bpp at 60 Hz
	VGA	VGA: up to 1920 x 1440 @ 32 bpp (85 Hz)
Ethernet	TTL LCD	1 x 24-bit TTL (PCM-9375F), up to 1600 x 1200 x 32 bpp at 60 Hz
	Dual Display	VGA+TTL, VGA+LVDS
	Speed	10/100 Mbps (Supports Wake on LAN)
Audio	Controller	Ethernet1 Realtek RTL8139 10/100 Mbps Ethernet2 Realtek RTL8139 10/100 Mbps
	Connector	RJ-45 on Ethernet1, box header on Ethernet2
WatchDog Timer	Chipset	Realtek ALC203 AC97, Line-in, Line-out, Mic-in
Storage	Output System reset, Programmable counter from 1 ~ 255 minutes/ seconds	
	CompactFlash	CompactFlash type I/II (Primary Master IDE Channel)
	IDE	1
Rear I/O	Floppy	1 (Shared with LPT)
	Serial	1 (COM1 supports RS-232) (ESD protection for RS-232: Air gap ±15kV, Contact ±8kV)
	Ethernet	1 (10/100 Mbps)
	PS/2 KB/Mouse	1
	VGA	1
	PWR&HDD LED	1
	Reset Button	1
Internal I/O	USB	4 x USB 2.0
	Serial	3 x COM (ESD protection for RS-232: Air gap ±15kV, Contact ±8kV) COM3/COM4 supports RS-232 COM2 supports RS-232/422/485 (Supports RS-485 auto flow control)
	Ethernet	1 (10/100 Mbps)
	IDE	1 UDMA 33/66
	Parallel (LPT)	1 (Shared with FDD)
	FDD	1 (Shared with LPT)
	GPIO	8-bit GPIO
	IC	optional
	Expansion	PC/104 Slot
Power	Power Type	AT/ATX
	Power Supply Voltage	5V + 5% (+12V option for LCD, PC/104)
	Power Consumption (Typical)	0.6 A @ 5 V, 0.03 A @ 12 V (3.36 W)
	Power Consumption (Max, test in HCT)	1.2 A @ 5 V, 0.23 A @ 12 V (8.76 W)
	Power Management	APM 1.2, ACPI
Environment	Battery	Lithium 3 V/196 mAH
Physical Characteristics	Operational	0 ~ 60° C (32 ~ 140° F) (Operating humidity: 40° C @ 95% RH non-condensing)
	Non-Operational	-40° C ~ 85° C and 60° C @ 95% RH non-condensing
	Dimensions (L x W)	146 x 102 mm (5.7" x 4")
Weight	Weight	0.64 kg (1.41 lb), weight of total package
	Total Height	25.2mm

Block Diagram



Ordering Information

Part No.	CPU	Memory	VGA	LVDS	TTL	10/100 Ethernet	Audio	IDE	USB2.0	RS-232	RS-232/422/485	CF	Expansion	Thermal Solution	Operating Temp.
PCM-9375F-J0A1E	AMD LX800	SODIMM	1	-	1	2	Yes	1 IDE	4	3	1	1	PC/104	Passive	0 ~ 60° C
PCM-9375E-J0A1E	AMD LX800	SODIMM	1	18-bit	-	2	Yes	1 IDE	4	3	1	1	PC/104	Passive	0 ~ 60° C
PCM-9375FZ-J0A1E	AMD LX800	SODIMM	1	-	1	2	Yes	1 IDE	4	3	1	1	PC/104	Passive	-20 ~ 80° C
PCM-9375EZ-J0A1E	AMD LX800	SODIMM	1	18-bit	-	2	Yes	1 IDE	4	3	1	1	PC/104	Passive	-20 ~ 80° C
PCM-9375FZ2-J0A1E	AMD LX800	SODIMM	1	-	1	2	Yes	1 IDE	4	3	1	1	PC/104	Passive	-40 ~ 85° C
PCM-9375EZ2-J0A1E	AMD LX800	SODIMM	1	18-bit	-	2	Yes	1 IDE	4	3	1	1	PC/104	Passive	-40 ~ 85° C

Note: Passive = fanless; Active = with fan

Packing List

Part No.	Description	Quantity
	PCM-9375 SBC	
	Startup Manual	
	Utility CD	
1701440351	IDE cable (44p/44p) 35cm	1
1700060202	KB/MS cable 20cm	1
1701100202	LAN cable 20cm	1
1700001971	COM 2/3/4 RS-232 cable 21 cm	1
1700001977	Parallel Port cable 25cm	1
1700160160	Audio cable 16 cm	1
1703100121	USB cable (2 ports) w/ bracket 12cm	1
1960004868	LX800 heatsink for PCM-9375 39.5 x 39.6 x 9.8 mm	
1960004869	CS5536 heatsink for PCM-9375 22.6 x 22.6 x 14.5 mm	

Rear I/O View



Optional Accessories

Part No.	Description
1703040157	COM2 cable for RS-422/485
1703200201	ATX power control cable
9696937580E	PCM-9375-FDD module (must connect 1701340700 and 1700002212)
1701340700	Flat cable 34-pin for 9696937580E, 70cm (cable from 9696937580E's FDD port to FDD device)
1700002212	LPT Cable for 9696937580E, 1.27mm pitch, 10cm (cable from PCM-9375's LPT to 9696937580E's LPT)

Embedded OS/API

Embedded OS/API	Part No.	Description
WinCE	2070000729	Image PCM-9375 CE 5.0 Pro Plus Eng
	2070001612	CE 6.0 Pro GX3 4Com V1.0 ENG
	2070007509	CE 6.0 Pro PCM-9375_4COM V1.1 JPN
	2070007810	CE 6.0 Pro GX3 4COM V1.2 ENG
Win XPE	2070007790	WES2009 ENG V4.0
	2070007910	WES2009 24MUI V4.0
QNX		QNX 6.3.2, QNX 6.4.1
Vxwork		5.5
Linux	205E375000	Linux WDT Driver Ubuntu8.04 PCM-9375 V1.0 ENG Ubuntu 10.04.1
Software API	2066002300	CD SUSI Library V1.0