



Chipsmall Limited consists of a professional team with an average of over 10 year of expertise in the distribution of electronic components. Based in Hongkong, we have already established firm and mutual-benefit business relationships with customers from,Europe,America and south Asia,supplying obsolete and hard-to-find components to meet their specific needs.

With the principle of “Quality Parts,Customers Priority,Honest Operation,and Considerate Service”,our business mainly focus on the distribution of electronic components. Line cards we deal with include Microchip,ALPS,ROHM,Xilinx,Pulse,ON,Everlight and Freescale. Main products comprise IC,Modules,Potentiometer,IC Socket,Relay,Connector.Our parts cover such applications as commercial,industrial, and automotives areas.

We are looking forward to setting up business relationship with you and hope to provide you with the best service and solution. Let us make a better world for our industry!



Contact us

Tel: +86-755-8981 8866 Fax: +86-755-8427 6832

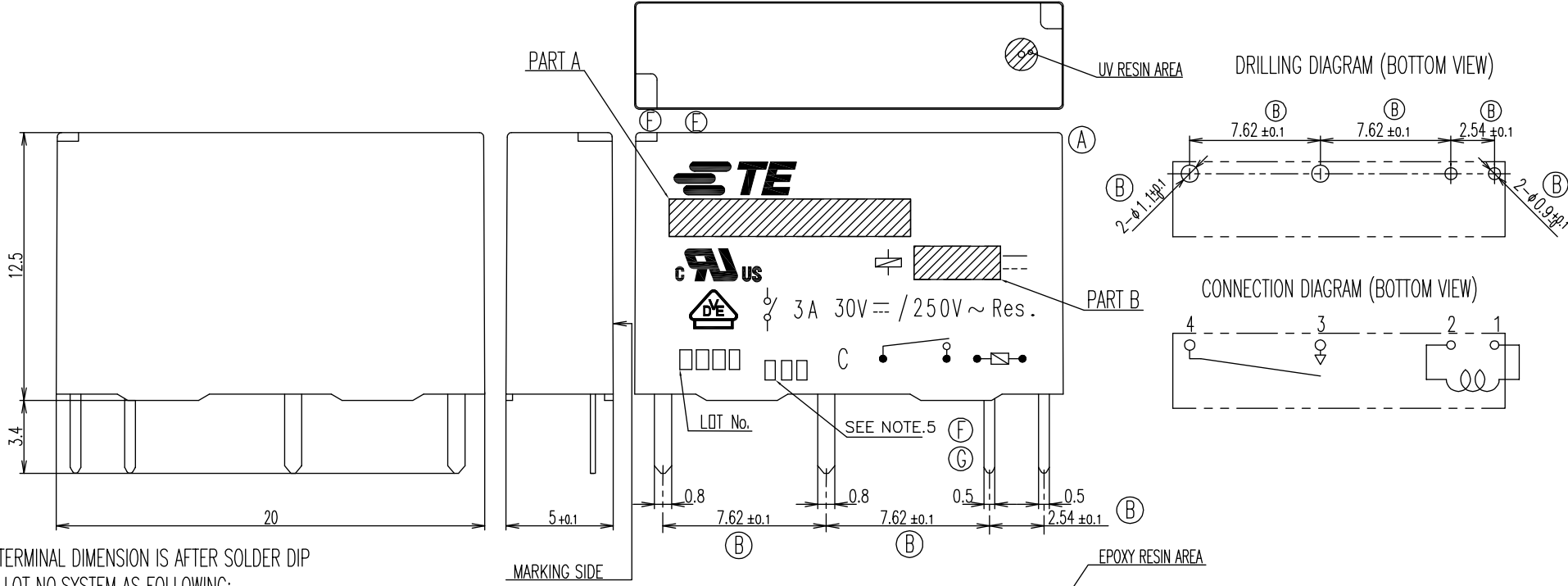
Email & Skype: info@chipsmall.com Web: www.chipsmall.com

Address: A1208, Overseas Decoration Building, #122 Zhenhua RD., Futian, Shenzhen, China



THIS DRAWING IS UNPUBLISHED. RELEASED FOR PUBLICATION
 © COPYRIGHT - By TE CONNECTIVITY ALL RIGHTS RESERVED.

LOC	DIST	REVISIONS			
P	LTR	DESCRIPTION	DATE	DWN	APVD
HB	-	1.CHANGE TE LOGO and VDE LOGO. 2.ADD ONE CHARACTER DISTINGUISH THE LINE IDENTITY.3. MARKING PRINT FROM INK CHANGE TO LASER	ECO-12-005736	25-APR-12	FS.H BH.Y
		G ADD NEW LOT NO.SYSTEM	ECO-12-014659	20-AUG-12	FS.H BH.Y



1.TERMINAL DIMENSION IS AFTER SOLDER DIP
 2. LOT NO.SYSTEM AS FOLLOWING;
 0 2 0 1 | I ...2 DIGITS FOR THE CHRISTIAN YEAR
 | II
 2007....07 2010....10
 2008....08 2011....11
 2009....09 20xx....xx
 II ...2 DIGITS FOR WEEK MANUFACTURED AS
 03.... 3 WEEKS IN 1 YEAR
 04.... 4 WEEKS IN 1 YEAR
 xx.... xx WEEKS IN 1 YEAR

- Ⓔ 3.MARKING FROM INK CHANGE TO LASER
- Ⓕ 4.ONE CHARACTER DISTINGUISH THE LINE IDENTITY, SUCH AS: A, B,...
- Ⓖ 5.ADD LOT NO. SYSTEM AS FOLLOWING;

I | II | III
 I, DIGITS FOR DAY OF THE WEEK
 1...MONDAY IN THIS WEEK;
 2...TUESDAY IN THIS WEEK;

 7...SUNDAY IN THIS WEEK
 II, DIGITS FOR SHIFT OF THE DAY
 1...DAY SHIFT IN THIS DAY;
 2...NIGHT SHIFT IN THIS DAY;
 III, ONE CHARACTER DISTINGUISH THE LINE IDENTITY, SUCH AS: A,B,.....Z

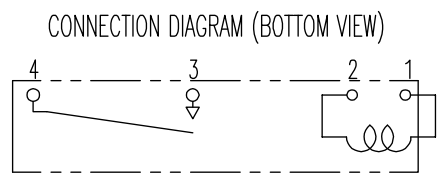
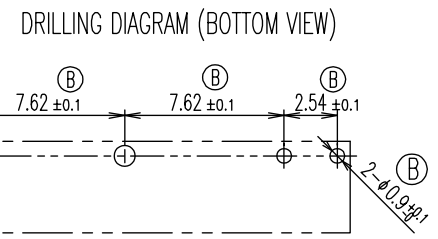


Diagram dimension	Tolerance
0.99mm max	±0.1mm
1 - 2.99mm	±0.2mm
3mm min	±0.3mm

THIS DRAWING IS A CONTROLLED DOCUMENT.		DWN M.MOCHIZUKI			
DIMENSIONS: mm		CHK Y.OKAMOTO			
TOLERANCES UNLESS OTHERWISE SPECIFIED:		APVD A.NAGAI		NAME	
0 PLC ± - 1 PLC ± - 2 PLC ± - 3 PLC ± - 4 PLC ± - ANGLES ± - FINISH		PRODUCT SPEC		PCN-D3M** CUSTOMER DRAWING	
MATERIAL		APPLICATION SPEC		SIZE	RESTRICTED TO
		WEIGHT		A3 00779	
		CUSTOMER DRAWING		DRAWING NO	
				C=1461491	
		SCALE 5:1		SHEET 1 OF 3	REV G

THIS DRAWING IS UNPUBLISHED. RELEASED FOR PUBLICATION
 © COPYRIGHT - By TE CONNECTIVITY ALL RIGHTS RESERVED.

LOC	DIST	REVISIONS					
HB	-	P	LTR	DESCRIPTION	DATE	DWN	APVD
		-		SEE SHEET 1	-	-	-

PART B	PART A	DESCRIPTION	TE PART NO	PACKING SPECIFICATION	PRODUCT SPEC	DISCRPTION	No.	
(C4)(B3)	24V	PCN-124D3MHZ	PCN-124D3MHZ,001	3-1461491-8	107-79039 (TUBE)	REINFORCED INSURATION WASHABLE TYPE	d	
(C4)(B3)	4.5V	PCN-104D3MHZ	PCN-104D3MHZ,001	3-1461491-7	107-79039 (TUBE)			
	24V	PCN-124D3MHZ	PCN-124D3MHZ	3-1461491-6	107-79039 (TUBE)			108-79629
	23.5V	PCN-123D3MHZ	PCN-123D3MHZ	3-1461491-5	107-79039 (TUBE)			108-79628
	18V	PCN-118D3MHZ	PCN-118D3MHZ	3-1461491-4	107-79039 (TUBE)			108-79627
	12V	PCN-112D3MHZ	PCN-112D3MHZ	3-1461491-3	107-79039 (TUBE)			108-79626
	9V	PCN-109D3MHZ	PCN-109D3MHZ	3-1461491-2	107-79039 (TUBE)			108-79625
	6V	PCN-106D3MHZ	PCN-106D3MHZ	3-1461491-1	107-79039 (TUBE)			108-79624
	5V	PCN-105D3MHZ	PCN-105D3MHZ	3-1461491-0	107-79039 (TUBE)			108-79623
	4.5V	PCN-104D3MHZ	PCN-104D3MHZ	2-1461491-9	107-79039 (TUBE)			108-79622
	3V	PCN-103D3MHZ	PCN-103D3MHZ	2-1461491-8	107-79039 (TUBE)	108-79621		
	24V	PCN-124D3MZ	PCN-124D3MZ	2-1461491-7	107-79039 (TUBE)	108-79620	REINFORCED INSURATION PLASTIC SEALED TYPE	c
	23.5V	PCN-123D3MZ	PCN-123D3MZ	2-1461491-6	107-79039 (TUBE)	108-79619		
	18V	PCN-118D3MZ	PCN-118D3MZ	2-1461491-5	107-79039 (TUBE)	108-79618		
	12V	PCN-112D3MZ	PCN-112D3MZ	2-1461491-4	107-79039 (TUBE)	108-79617		
	9V	PCN-109D3MZ	PCN-109D3MZ	2-1461491-3	107-79039 (TUBE)	108-79616		
	6V	PCN-106D3MZ	PCN-106D3MZ	2-1461491-2	107-79039 (TUBE)	108-79615		
	5V	PCN-105D3MZ	PCN-105D3MZ	2-1461491-1	107-79039 (TUBE)	108-79614		
	4.5V	PCN-104D3MZ	PCN-104D3MZ	2-1461491-0	107-79039 (TUBE)	108-79613		
	3V	PCN-103D3MZ	PCN-103D3MZ	1-1461491-9	107-79039 (TUBE)	108-79612		

PART B	PART A	DESCRIPTION	TE PART NO	PACKING SPECIFICATION	PRODUCT SPEC	DISCRPTION	No.	
	24V	PCN-124D3MH	PCN-124D3MH	1-1461491-8	107-79039 (TUBE)	108-79611	STANDARD INSURATION WASHABLE TYPE	b
	23.5V	PCN-123D3MH	PCN-123D3MH	1-1461491-7	107-79039 (TUBE)	108-79610		
	18V	PCN-118D3MH	PCN-118D3MH	1-1461491-6	107-79039 (TUBE)	108-79609		
	12V	PCN-112D3MH	PCN-112D3MH	1-1461491-5	107-79039 (TUBE)	108-79608		
	9V	PCN-109D3MH	PCN-109D3MH	1-1461491-4	107-79039 (TUBE)	108-79607		
	6V	PCN-106D3MH	PCN-106D3MH	1-1461491-3	107-79039 (TUBE)	108-79606		
	5V	PCN-105D3MH	PCN-105D3MH	1-1461491-2	107-79039 (TUBE)	108-79605		
	4.5V	PCN-104D3MH	PCN-104D3MH	1-1461491-1	107-79039 (TUBE)	108-79604		
	3V	PCN-103D3MH	PCN-103D3MH	1-1461491-0	107-79039 (TUBE)	108-79603		
	24V	PCN-124D3M	PCN-124D3M	1461491-9	107-79039 (TUBE)	108-79602	STANDARD INSURATION PLASTIC SEALED TYPE	a
	23.5V	PCN-123D3M	PCN-123D3M	1461491-8	107-79039 (TUBE)	108-79601		
	18V	PCN-118D3M	PCN-118D3M	1461491-7	107-79039 (TUBE)	108-79600		
	12V	PCN-112D3M	PCN-112D3M	1461491-6	107-79039 (TUBE)	108-79599		
	9V	PCN-109D3M	PCN-109D3M	1461491-5	107-79039 (TUBE)	108-79598		
	6V	PCN-106D3M	PCN-106D3M	1461491-4	107-79039 (TUBE)	108-79597		
	5V	PCN-105D3M	PCN-105D3M	1461491-3	107-79039 (TUBE)	108-79596		
	4.5V	PCN-104D3M	PCN-104D3M	1461491-2	107-79039 (TUBE)	108-79595		
	3V	PCN-103D3M	PCN-103D3M	1461491-1	107-79039 (TUBE)	108-79594		

15	UV RESIN
14	CASE (NATURAL)
14	CASE (BLACK)
13	EPOXY
12	MAGNETIC WIRE
11	CARD (NATURAL)
11	CARD (BLACK)
10	ARMATURE
9	STATIONARY CONTACT
8	STATIONARY TERMINAL
7	MOVABLE CONTACT
6	MOVABLE TERMINAL
5	BASE (NATURAL)
5	BASE (BLACK)
4	CORE
3	COIL TERMINAL B
2	COIL TERMINAL A
1	BOBBIN (BLACK ONLY)
ITEM	DESCRIPTION

PARTS LIST

(B1) MOLD COLOR
 NATURAL: REINFORCED INSURATION MODEL
 強化絶縁品 (IEC1131-2 Conformed)
 BLACK: BASIC INSURATION MODEL
 基礎絶縁品 (IEC1131-2 Conformed)

THIS DRAWING IS A CONTROLLED DOCUMENT.

DIMENSIONS: mm	TOLERANCES UNLESS OTHERWISE SPECIFIED:
	0 PLC ± -
	1 PLC ± -
	2 PLC ± -
	3 PLC ± -
	4 PLC ± -
	ANGLES ± -
MATERIAL	FINISH
-	-

DWN M. MOCHIZUKI	TE Connectivity		
CHK Y. OKAMOTO	NAME		
APVD A. NAGAI	PCN-D3M** CUSTOMER DRAWING		
PRODUCT SPEC	SIZE	CAGE CODE	DRAWING NO
APPLICATION SPEC	A3	00779	C-1461491
WEIGHT	RESTRICTED TO		
CUSTOMER DRAWING	SCALE 5:1	SHEET 2 of 3	REV G

THIS DRAWING IS UNPUBLISHED. RELEASED FOR PUBLICATION
 © COPYRIGHT - By TE CONNECTIVITY ALL RIGHTS RESERVED.

LOC	DIST	REVISIONS					
HB	-	P	LTR	DESCRIPTION	DATE	DWN	APVD
		-		SEE SHEET 1	-	-	-


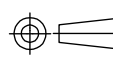
C4	B3	24V	PCN-124D3MHZ	PCN-124D3MHZ,001	7-1461491-6	107-79043 (TRAY)		REINFORCED INSURATION WASHABLE TYPE	D		
		4.5V	PCN-104D3MHZ	PCN-104D3MHZ,001	7-1461491-5	107-79043 (TRAY)					
		24V	PCN-124D3MHZ	PCN-124D3MHZ	7-1461491-4	107-79043 (TRAY)	108-79629	REINFORCED INSURATION WASHABLE TYPE	D		
		23.5V	PCN-123D3MHZ	PCN-123D3MHZ	7-1461491-3	107-79043 (TRAY)	108-79628				
		18V	PCN-118D3MHZ	PCN-118D3MHZ	7-1461491-2	107-79043 (TRAY)	108-79627				
		12V	PCN-112D3MHZ	PCN-112D3MHZ	7-1461491-1	107-79043 (TRAY)	108-79626				
		9V	PCN-109D3MHZ	PCN-109D3MHZ	7-1461491-0	107-79043 (TRAY)	108-79625				
		6V	PCN-106D3MHZ	PCN-106D3MHZ	6-1461491-9	107-79043 (TRAY)	108-79624				
		5V	PCN-105D3MHZ	PCN-105D3MHZ	6-1461491-8	107-79043 (TRAY)	108-79623				
		4.5V	PCN-104D3MHZ	PCN-104D3MHZ	6-1461491-7	107-79043 (TRAY)	108-79622				
		3V	PCN-103D3MHZ	PCN-103D3MHZ	6-1461491-6	107-79043 (TRAY)	108-79621				
		24V	PCN-124D3MZ	PCN-124D3MZ	6-1461491-5	107-79043 (TRAY)	108-79620			REINFORCED INSURATION PLASTIC SEALED TYPE	C
		23.5V	PCN-123D3MZ	PCN-123D3MZ	6-1461491-4	107-79043 (TRAY)	108-79619				
		18V	PCN-118D3MZ	PCN-118D3MZ	6-1461491-3	107-79043 (TRAY)	108-79618				
		12V	PCN-112D3MZ	PCN-112D3MZ	6-1461491-2	107-79043 (TRAY)	108-79617				
		9V	PCN-109D3MZ	PCN-109D3MZ	6-1461491-1	107-79043 (TRAY)	108-79616				
		6V	PCN-106D3MZ	PCN-106D3MZ	6-1461491-0	107-79043 (TRAY)	108-79615				
		5V	PCN-105D3MZ	PCN-105D3MZ	5-1461491-9	107-79043 (TRAY)	108-79614				
		4.5V	PCN-104D3MZ	PCN-104D3MZ	5-1461491-8	107-79043 (TRAY)	108-79613				
		3V	PCN-103D3MZ	PCN-103D3MZ	5-1461491-7	107-79043 (TRAY)	108-79612				
PART B		PART A	DESCRIPTION	TE PART NO	PACKING SPECIFICATION	PRODUCT SPEC	DISCRIPTION	No.			

24V	PCN-124D3MH	PCN-124D3MH	5-1461491-6	107-79043 (TRAY)	108-79611	STANDARD INSURATION WASHABLE TYPE	B		
23.5V	PCN-123D3MH	PCN-123D3MH	5-1461491-5	107-79043 (TRAY)	108-79610				
18V	PCN-118D3MH	PCN-118D3MH	5-1461491-4	107-79043 (TRAY)	108-79609				
12V	PCN-112D3MH	PCN-112D3MH	5-1461491-3	107-79043 (TRAY)	108-79608				
9V	PCN-109D3MH	PCN-109D3MH	5-1461491-2	107-79043 (TRAY)	108-79607				
6V	PCN-106D3MH	PCN-106D3MH	5-1461491-1	107-79043 (TRAY)	108-79606				
5V	PCN-105D3MH	PCN-105D3MH	5-1461491-0	107-79043 (TRAY)	108-79605				
4.5V	PCN-104D3MH	PCN-104D3MH	4-1461491-9	107-79043 (TRAY)	108-79604				
3V	PCN-103D3MH	PCN-103D3MH	4-1461491-8	107-79043 (TRAY)	108-79603				
24V	PCN-124D3M	PCN-124D3M	4-1461491-7	107-79043 (TRAY)	108-79602			STANDARD INSURATION PLASTIC SEALED TYPE	A
23.5V	PCN-123D3M	PCN-123D3M	4-1461491-6	107-79043 (TRAY)	108-79601				
18V	PCN-118D3M	PCN-118D3M	4-1461491-5	107-79043 (TRAY)	108-79600				
12V	PCN-112D3M	PCN-112D3M	4-1461491-4	107-79043 (TRAY)	108-79599				
9V	PCN-109D3M	PCN-109D3M	4-1461491-3	107-79043 (TRAY)	108-79598				
6V	PCN-106D3M	PCN-106D3M	4-1461491-2	107-79043 (TRAY)	108-79597				
5V	PCN-105D3M	PCN-105D3M	4-1461491-1	107-79043 (TRAY)	108-79596				
4.5V	PCN-104D3M	PCN-104D3M	4-1461491-0	107-79043 (TRAY)	108-79595				
3V	PCN-103D3M	PCN-103D3M	3-1461491-9	107-79043 (TRAY)	108-79594				
PART B	PART A	DESCRIPTION	TE PART NO	PACKING SPECIFICATION	PRODUCT SPEC	DISCRIPTION	No.		

15	UV RESIN	B3	B1
14	CASE (NATURAL)		
14	CASE (BLACK)		
13	EPOXY		
12	MAGNETIC WIRE		
11	CARD (NATURAL)		
11	CARD (BLACK)		
10	ARMATURE		
9	STATIONARY CONTACT		
8	STATIONARY TERMINAL		
7	MOVABLE CONTACT		
6	MOVABLE TERMINAL		
5	BASE (NATURAL)		
5	BASE (BLACK)		
4	CORE		
3	COIL TERMINAL B		
2	COIL TERMINAL A		
1	BOBBIN (BLACK ONLY)		
ITEM	DESCRIPTION		

MOLD COLOR
 NATURAL: REINFORCED INSURATION MODEL
 強化絶縁品 (IEC1131-2 Conformed)
 BLACK: BASIC INSURATION MODEL
 基礎絶縁品 (IEC1131-2 Conformed)

PARTS LIST

THIS DRAWING IS A CONTROLLED DOCUMENT.		DWN M.MOCHIZUKI	 TE Connectivity	
		CHK Y.OKAMOTO		
DIMENSIONS: mm		TOLERANCES UNLESS OTHERWISE SPECIFIED:		NAME
		0 PLC ± - 1 PLC ± - 2 PLC ± - 3 PLC ± - 4 PLC ± - ANGLES ± -		PCN-D3M** CUSTOMER DRAWING
		MATERIAL		FINISH
				PRODUCT SPEC
				APPLICATION SPEC
				WEIGHT
				SIZE
				CAGE CODE
				DRAWING NO
				RESTRICTED TO
				A3 00779
				©=1461491
				CUSTOMER DRAWING
				SCALE 5:1
				SHEET 3 of 3
				REV G