



Chipsmall Limited consists of a professional team with an average of over 10 year of expertise in the distribution of electronic components. Based in Hongkong, we have already established firm and mutual-benefit business relationships with customers from,Europe,America and south Asia,supplying obsolete and hard-to-find components to meet their specific needs.

With the principle of “Quality Parts,Customers Priority,Honest Operation,and Considerate Service”,our business mainly focus on the distribution of electronic components. Line cards we deal with include Microchip,ALPS,ROHM,Xilinx,Pulse,ON,Everlight and Freescale. Main products comprise IC,Modules,Potentiometer,IC Socket,Relay,Connector.Our parts cover such applications as commercial,industrial, and automotives areas.

We are looking forward to setting up business relationship with you and hope to provide you with the best service and solution. Let us make a better world for our industry!



## Contact us

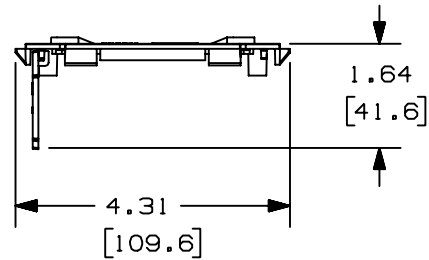
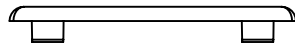
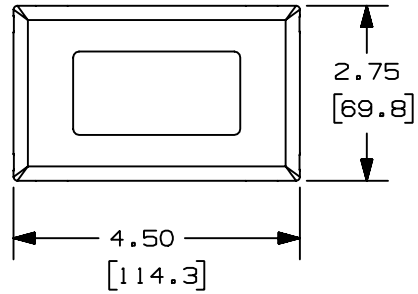
Tel: +86-755-8981 8866 Fax: +86-755-8427 6832

Email & Skype: info@chipsmall.com Web: www.chipsmall.com

Address: A1208, Overseas Decoration Building, #122 Zhenhua RD., Futian, Shenzhen, China



THIS COPY IS PROVIDED ON A RESTRICTED BASIS AND IS NOT TO BE USED IN ANY WAY DETRIMENTAL TO THE INTERESTS OF PANDUIT CORP.

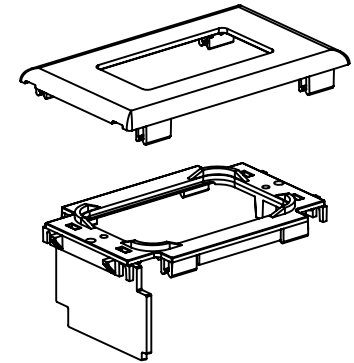


PANDUIT P/N	WEIGHT
PCPAKR	.12 LB (54.4 g)



NOTES:

1. SEE CURRENT CATALOG FOR ADDITIONAL PART SUFFIXES TO INDICATE COLOR AND OR PACKAGE QUANTITY.
2. KIT CONSISTS OF:  
(1) SNAP ON DEVICE BRACKET  
(1) RECTANGULAR FACEPLATE
3. DIMENSIONS IN PARENTHESES ARE IN METRIC.
4. FOR USE WITH PANDUIT PAN-POLE PART NUMBERS: PCPA11R20 AND PCPA13R20.



CAD FILENAME/LAYERS D38697BR\_DC\_PCPAKR\_00B.prt

PANDUIT CORP. TINLEY PARK, ILLINOIS

POWER ADDITION KIT  
(PCPAKR)  
CUSTOMER DRAWING

UNLESS OTHERWISE SPECIFIED,  
DIMENSIONAL TOLERANCES ARE:  
(.X) ± (.XXX) ±  
(.XX) ±.03 (.8) ANGLES ±

UNLESS OTHERWISE SPECIFIED,  
ALL DIMENSIONS ARE GIVEN  
IN INCHES, THIRD ANGLE PROJECTION.

REV	DATE	BY	CHK	DESCRIPTION	ECN	CHK	CUST	SUP
I	02-09-05	JBN		A. REVISED PART WEIGHT TO PER PC	38697-05			
R	12-18-03	JHEPRMHI		RELEASED TO PRODUCTION	38697-05	RGRO	RGRO	

DRAWN BY  
JHEP  
DATE  
12-18-03  
CHECKED BY  
RMHI

MAT'L:  
PVC

SCALE  
NONE  
DRAWING NO.  
38697-05

DWG  
A  
SIZE